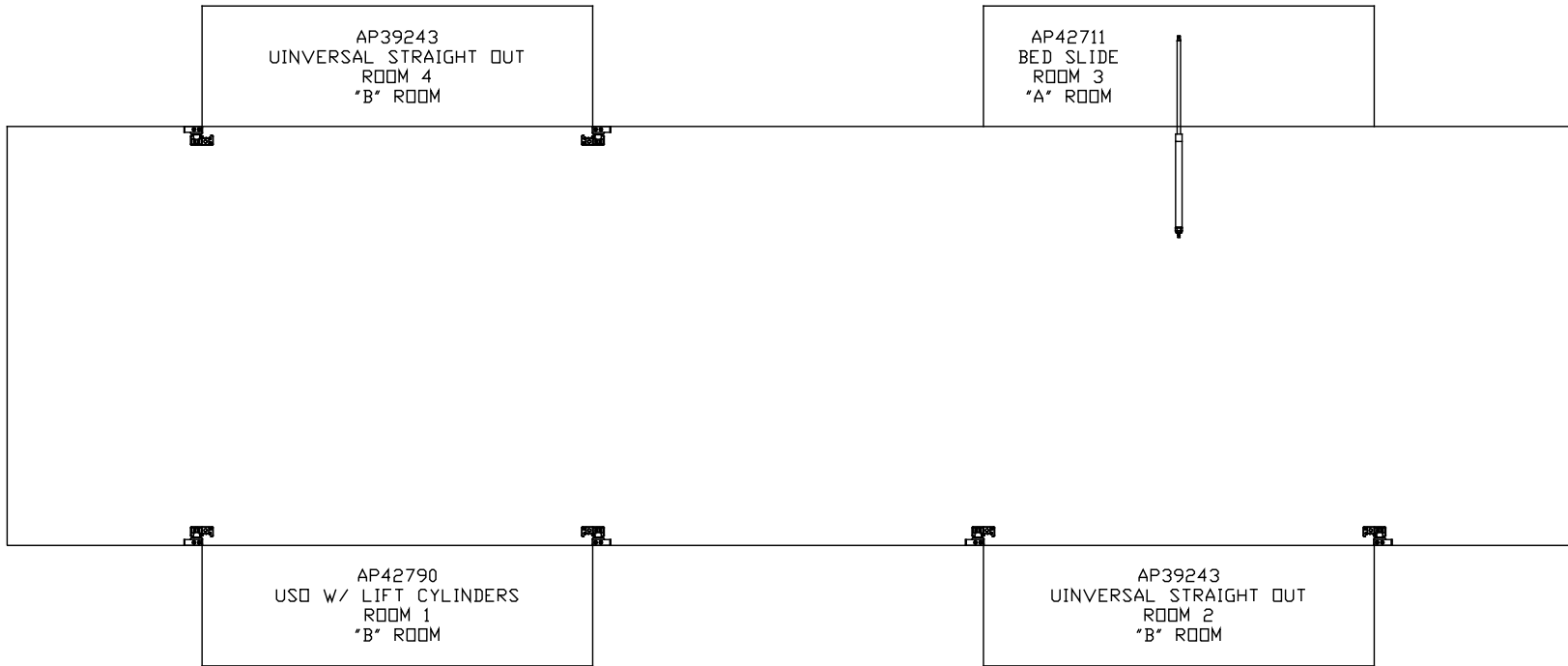


ORIENTATION
 ← FRONT



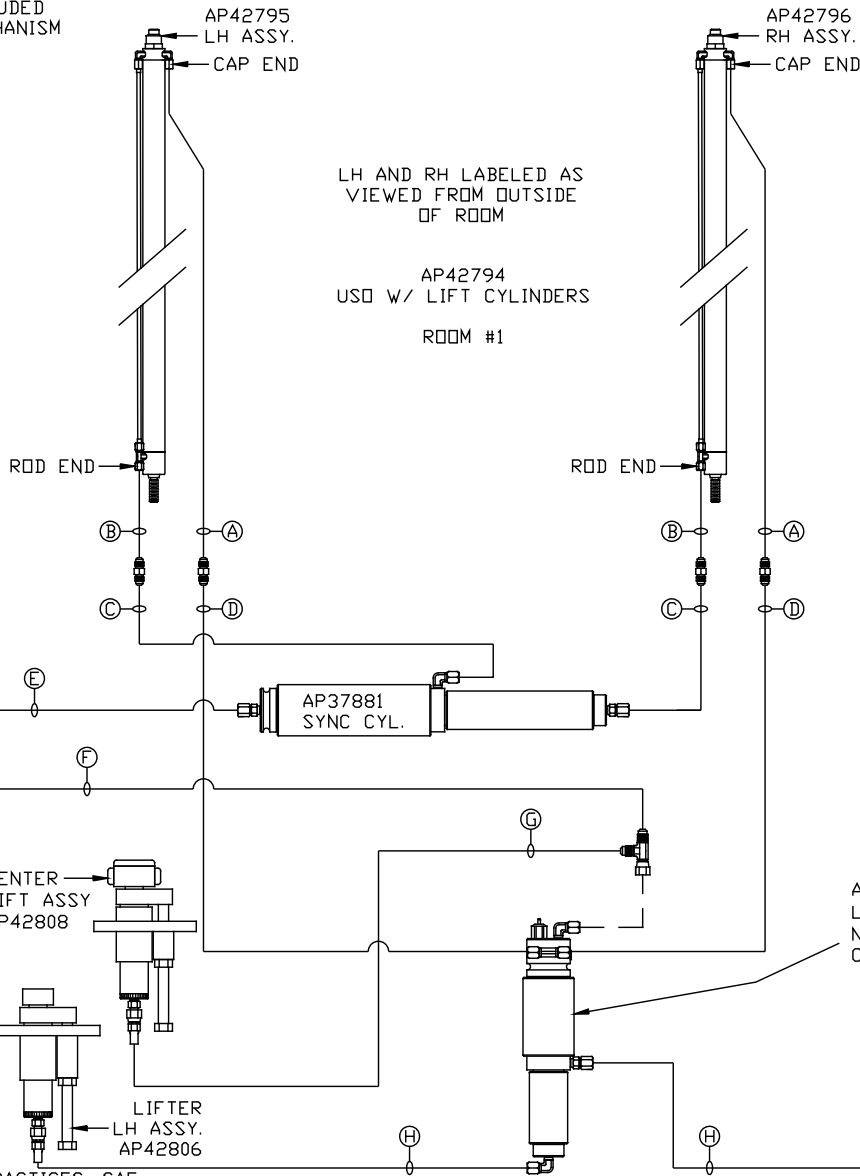
NOTE: INSTALLATION MUST CONFORM TO GOOD SHOP PRACTICES, SAE STANDARDS, RVIA STANDARDS, AND OTHER APPLICABLE STANDARDS.

HOSE/HARN KIT: AP42872

		HWH I-80 EXIT 267 SOUTH RT 1 MOSCOW, IOWA 52760	
		SCALE 1:6	DATE 18JUN08
		DRAWN BY .	
		HYD CONN DIAGRAM	
NO.	DATE	REVISION	
		THE INFORMATION DISCLOSED ON THIS DRAWING IS CONFIDENTIAL AND MUST NOT BE DISCLOSED OR USED IN ANY MANNER WHICH WILL BE DETRIMENTAL TO THE HWH CORPORATION	
		TIFFIN	DRAWING NUMBER MP70013 A/D

ORIENTATION
 ← FRONT

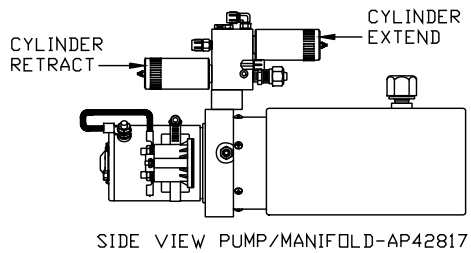
NOTE: HOSES (A) AND (B) ARE INCLUDED WITH THE ROOM EXTENSION MECHANISM



LH AND RH LABELED AS VIEWED FROM OUTSIDE OF ROOM

AP42794
 USO W/ LIFT CYLINDERS
 ROOM #1

- (A) AP24818 HOSE ASSY HWH02HP x 86" CAP END - MUST MAINTAIN EQUAL LENGTH AND DIAMETER
- (B) AP24632 HOSE ASSY HWH02HP x 48" ROD END - ALWAYS PRESSURIZED - MUST BE HIGH PRESSURE HOSES OF EQUAL LENGTH AND DIAMETER
- (C) AP24647 HOSE ASSY HWH02HP x 162" ROD END - ALWAYS PRESSURIZED - MUST BE HIGH PRESSURE HOSES OF EQUAL LENGTH AND DIAMETER
- (D) AP6115 HOSE ASSY .25" x 168" CAP END - MUST MAINTAIN EQUAL LENGTH AND DIAMETER
- (E) AP3314 HOSE ASSY .25 x 48" ROD END - ALWAYS PRESSURIZED
- (F) AP3314 HOSE ASSY .25 x 48" CAP END
- (G) AP5352 HOSE ASSY .25 x 96" CAP END - MUST BE HIGH PRESSURE HOSE
- (H) AP24648 HOSE ASSY .25 x 168" CAP END - MUST BE HIGH PRESSURE HOSES OF EQUAL LENGTH AND DIAMETER



LOCATION AND ORIENTATION OF PUMP/MANIFOLD ASSEMBLY WILL DIFFER DEPENDING UPON O.E.M.

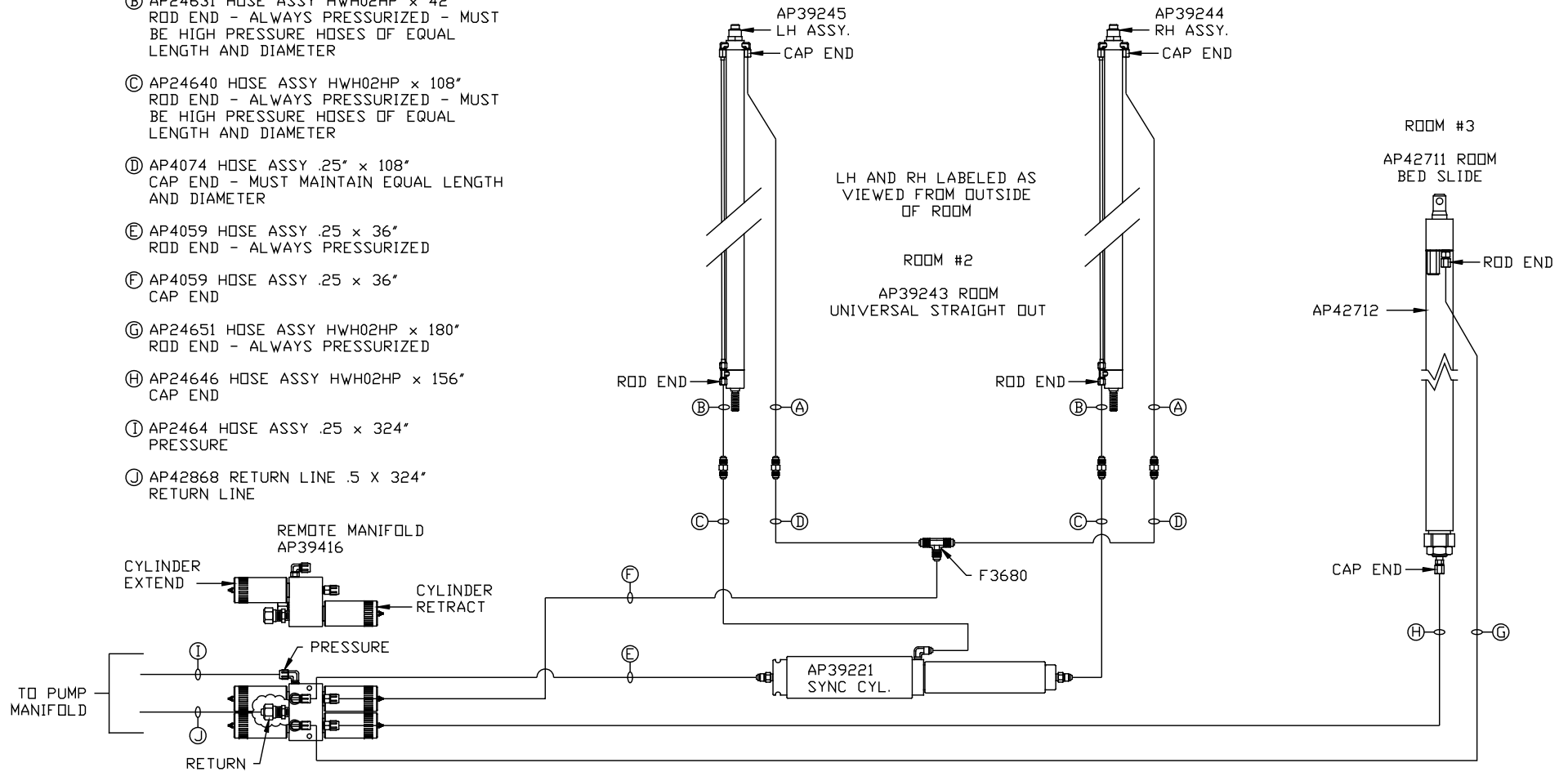
NOTE: INSTALLATION MUST CONFORM TO GOOD SHOP PRACTICES, SAE STANDARDS, RVIA STANDARDS, AND OTHER APPLICABLE STANDARDS.

MP70013 B/D
 18JUN08

ORIENTATION
 ← FRONT

- Ⓐ AP24637 HOSE ASSY HWH02HP x 66"
CAP END - MUST MAINTAIN EQUAL LENGTH AND DIAMETER
- Ⓑ AP24631 HOSE ASSY HWH02HP x 42"
ROD END - ALWAYS PRESSURIZED - MUST BE HIGH PRESSURE HOSES OF EQUAL LENGTH AND DIAMETER
- Ⓒ AP24640 HOSE ASSY HWH02HP x 108"
ROD END - ALWAYS PRESSURIZED - MUST BE HIGH PRESSURE HOSES OF EQUAL LENGTH AND DIAMETER
- Ⓓ AP4074 HOSE ASSY .25" x 108"
CAP END - MUST MAINTAIN EQUAL LENGTH AND DIAMETER
- Ⓔ AP4059 HOSE ASSY .25 x 36"
ROD END - ALWAYS PRESSURIZED
- Ⓕ AP4059 HOSE ASSY .25 x 36"
CAP END
- Ⓖ AP24651 HOSE ASSY HWH02HP x 180"
ROD END - ALWAYS PRESSURIZED
- Ⓗ AP24646 HOSE ASSY HWH02HP x 156"
CAP END
- Ⓛ AP2464 HOSE ASSY .25 x 324"
PRESSURE
- Ⓜ AP42868 RETURN LINE .5 x 324"
RETURN LINE

NOTE: HOSES Ⓐ, Ⓑ, Ⓒ, AND Ⓗ ARE INCLUDED WITH THE ROOM EXTENSION MECHANISM



NOTE: INSTALLATION MUST CONFORM TO GOOD SHOP PRACTICES, SAE STANDARDS, RVIA STANDARDS, AND OTHER APPLICABLE STANDARDS.

MP70013 C/D
 18JUN08

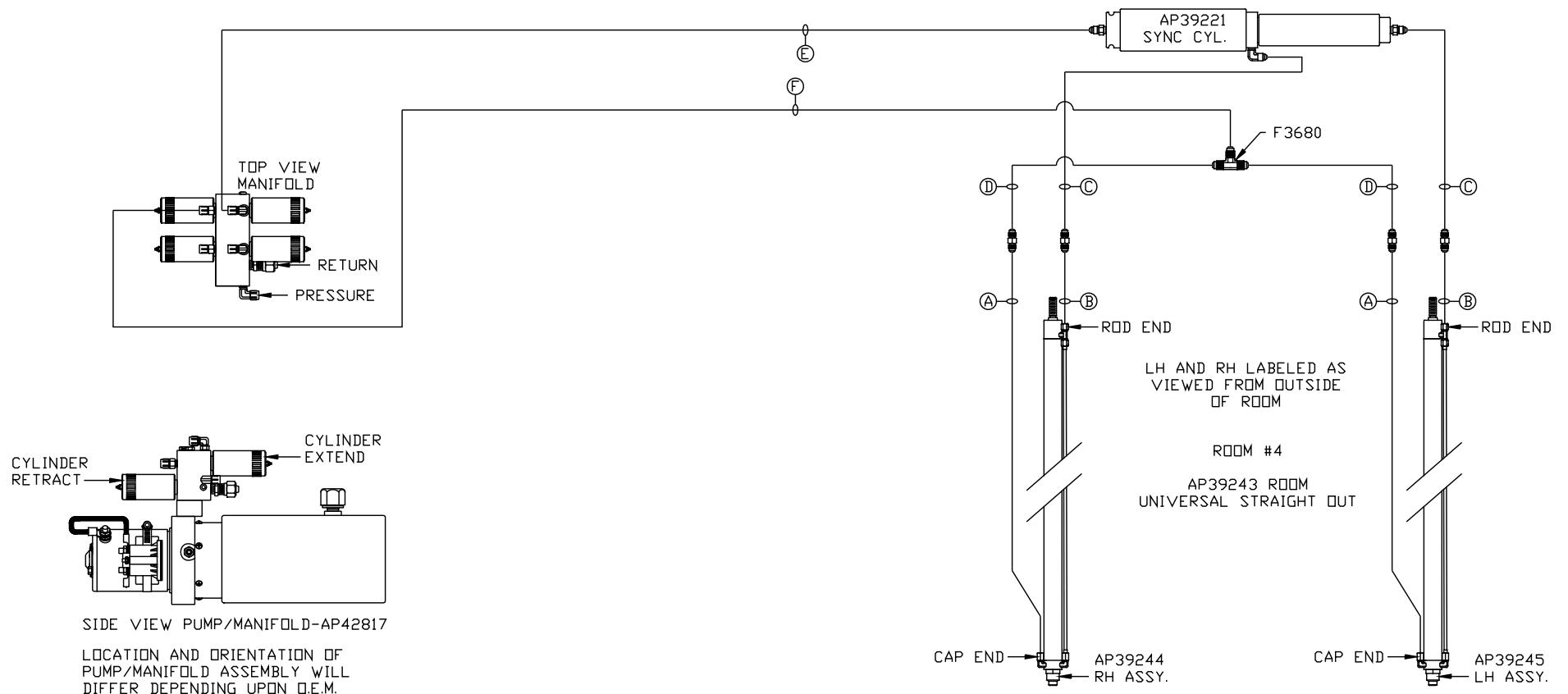
ORIENTATION

← FRONT

- Ⓐ AP24637 HOSE ASSY HWH02HP x 66"
CAP END - MUST MAINTAIN EQUAL LENGTH
AND DIAMETER
- Ⓑ AP24631 HOSE ASSY HWH02HP x 42"
ROD END - ALWAYS PRESSURIZED - MUST
BE HIGH PRESSURE HOSES OF EQUAL
LENGTH AND DIAMETER
- Ⓒ AP24647 HOSE ASSY HWH02HP x 162"
ROD END - ALWAYS PRESSURIZED - MUST
BE HIGH PRESSURE HOSES OF EQUAL
LENGTH AND DIAMETER

- Ⓓ AP6115 HOSE ASSY .25" x 168"
CAP END - MUST MAINTAIN EQUAL LENGTH
AND DIAMETER
- Ⓔ AP1412 HOSE ASSY .25 x 84"
ROD END - ALWAYS PRESSURIZED
- Ⓕ AP5352 HOSE ASSY .25 x 96"
CAP END

NOTE: HOSES Ⓐ AND Ⓑ ARE INCLUDED
WITH THE ROOM EXTENSION MECHANISM



NOTE: INSTALLATION MUST CONFORM TO GOOD SHOP PRACTICES, SAE STANDARDS, RVIA STANDARDS, AND OTHER APPLICABLE STANDARDS.

MP70013 D/D
18JUN08