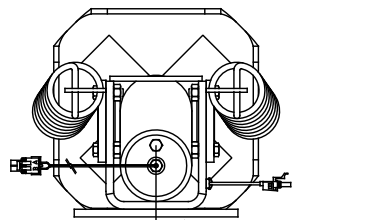


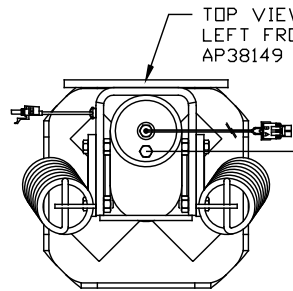
ORIENTATION
 ← FRONT

- Ⓐ AP4161 HOSE ASSY .25" x 120"
- Ⓑ AP5352 HOSE ASSY .25" x 96"
- Ⓒ AP7315 HOSE ASSY .313" x 432"
- Ⓓ AP15835 HOSE ASSY .313" x 408"

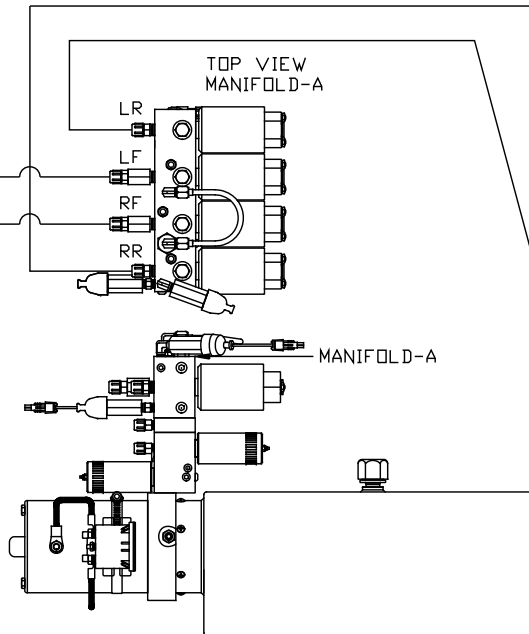
NOTE: CROSS TIES REQUIRED FOR FRONT AND REAR JACKS



TOP VIEW
 RIGHT FRONT
 AP38149

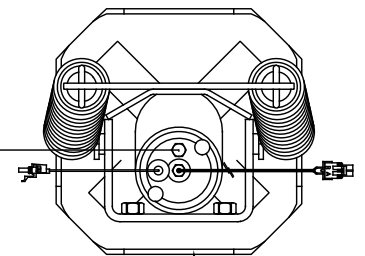


TOP VIEW
 LEFT FRONT
 AP38149

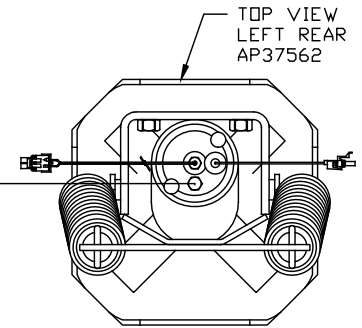


SIDE VIEW PUMP/MANIFOLD-AP37450

LOCATION AND ORIENTATION OF PUMP/MANIFOLD ASSEMBLY WILL DIFFER DEPENDING UPON O.E.M.



TOP VIEW
 RIGHT REAR
 AP37562



TOP VIEW
 LEFT REAR
 AP37562

NOTE: INSTALLATION MUST CONFORM TO GOOD SHOP PRACTICES, SAE STANDARDS, RVIA STANDARDS, AND OTHER APPLICABLE STANDARDS.

COACH KIT: AP42968

NO.	DATE	REVISION

THE INFORMATION DISCLOSED ON THIS DRAWING IS CONFIDENTIAL AND MUST NOT BE DISCLOSED OR USED IN ANY MANNER WHICH WILL BE DETRIMENTAL TO THE HWH CORPORATION

HWH			I-80 EXIT 267 SOUTH RT 1 MOSCOW, IOWA 52760		
SCALE 1:6	DATE 30JUN08	DRAWN BY .			
HYD CONN DIAGRAM					
OPTIMA				DRAWING NUMBER MP70015 A/E	

ORIENTATION
← FRONT

AP38944
LH ASSY.
CAP END

AP38945
LH ASSY.
CAP END

LH AND RH LABELED AS
VIEWED FROM OUTSIDE
OF ROOM

AP40674 ROOM #1
UNIVERSAL LEVEL OUT

ROD END

ROD END

(B) (A)
(C) (D)

(B) (A)
(C) (D)

AP37881
SYNC CYL.

NOTE: LIFT SYNC MUST BE MOUNTED WITH
THE CAP END POINTING UP.

*AP38604
LH ASSY.

AP38264

*AP38604
RH ASSY.

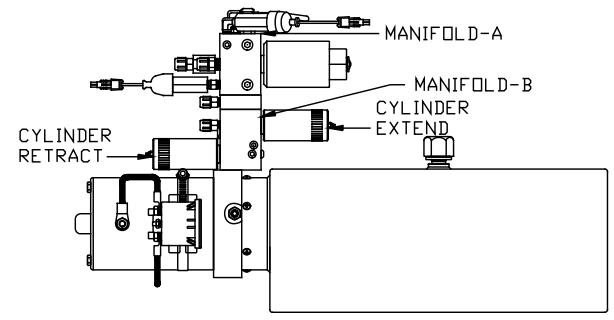
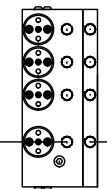
*: AP38604 IS PART OF THE
ROOM EXTENSION MECHANISM.

- (A) AP24818 HOSE ASSY HWH02HP x 86"
CAP END - MUST MAINTAIN EQUAL LENGTH
AND DIAMETER
- (B) AP24632 HOSE ASSY HWH02HP x 48"
ROD END - ALWAYS PRESSURIZED - MUST
BE HIGH PRESSURE HOSES OF EQUAL
LENGTH AND DIAMETER
- (C) AP24642 HOSE ASSY HWH02HP x 120"
ROD END - ALWAYS PRESSURIZED - MUST
BE HIGH PRESSURE HOSES OF EQUAL
LENGTH AND DIAMETER
- (D) AP24644 HOSE ASSY .25 x 132"
CAP END - MUST MAINTAIN EQUAL LENGTH
AND DIAMETER

NOTE: HOSES (A) AND (B) ARE INCLUDED
WITH THE ROOM EXTENSION MECHANISM.

- (E) AP4161 HOSE ASSY .25 x 120"
ROD END - ALWAYS PRESSURIZED
- (F) AP4062 HOSE ASSY .25 x 132"
CAP END
- (G) AP4073 HOSE ASSY .25 x 60"
CAP END - MUST BE HIGH PRESSURE HOSE

FRONT VIEW
MANIFOLD-B



SIDE VIEW PUMP/MANIFOLD-AP37450

LOCATION AND ORIENTATION OF
PUMP/MANIFOLD ASSEMBLY WILL
DIFFER DEPENDING UPON O.E.M.

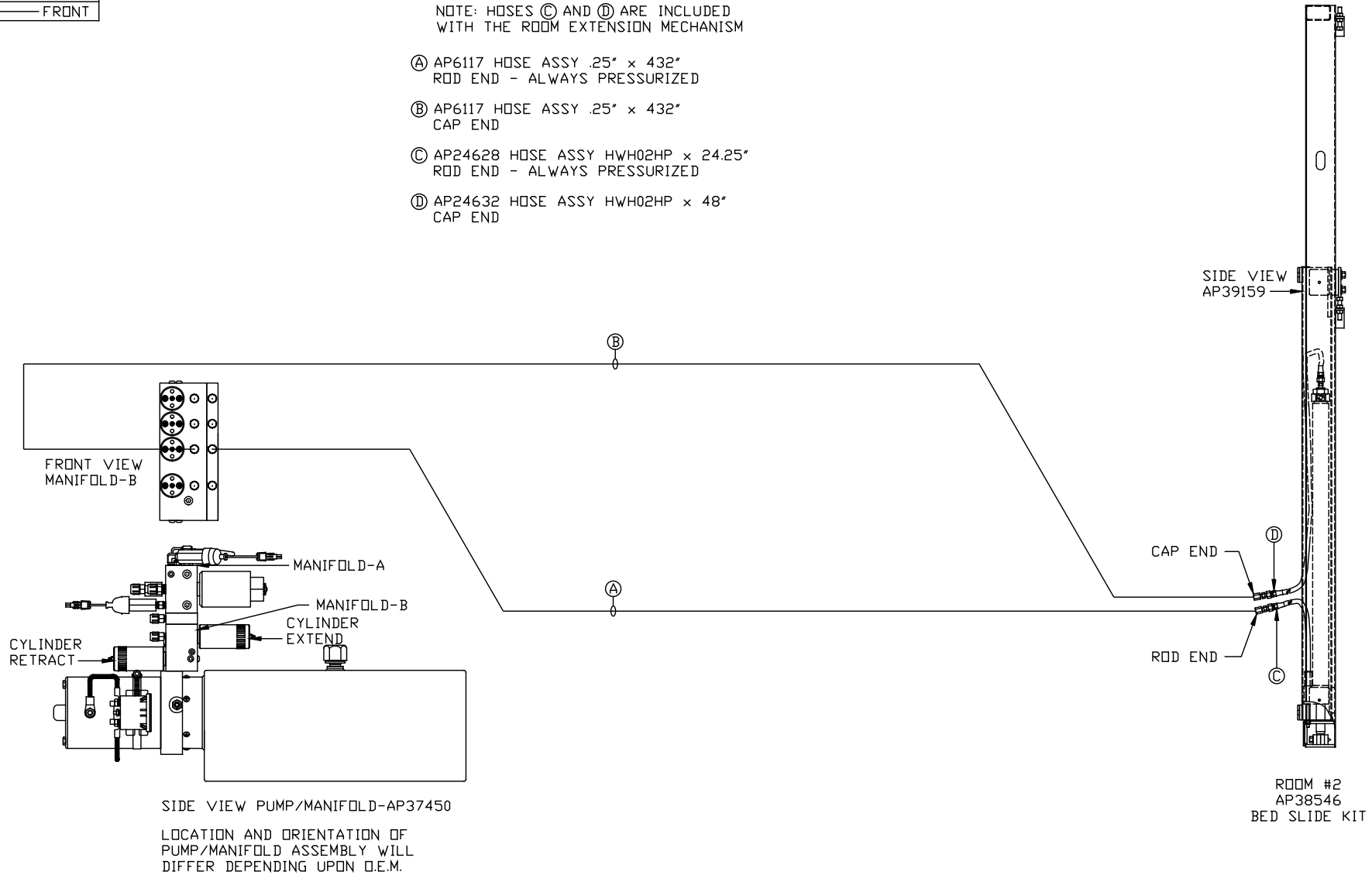
NOTE: INSTALLATION MUST CONFORM TO GOOD SHOP PRACTICES, SAE
STANDARDS, RVIA STANDARDS, AND OTHER APPLICABLE STANDARDS.

ORIENTATION

← FRONT

NOTE: HOSES ③ AND ④ ARE INCLUDED WITH THE ROOM EXTENSION MECHANISM

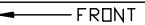
- ① AP6117 HOSE ASSY .25" x 432"
ROD END - ALWAYS PRESSURIZED
- ② AP6117 HOSE ASSY .25" x 432"
CAP END
- ③ AP24628 HOSE ASSY HWH02HP x 24.25"
ROD END - ALWAYS PRESSURIZED
- ④ AP24632 HOSE ASSY HWH02HP x 48"
CAP END



NOTE: INSTALLATION MUST CONFORM TO GOOD SHOP PRACTICES, SAE STANDARDS, RVIA STANDARDS, AND OTHER APPLICABLE STANDARDS.

MP70015 C/E
30JUN08

ORIENTATION



NOTE: HOSES (A) AND (B) ARE INCLUDED WITH THE ROOM EXTENSION MECHANISM.

(A) AP24818 HOSE ASSY HWH02HP x 86" CAP END - MUST MAINTAIN EQUAL LENGTH AND DIAMETER

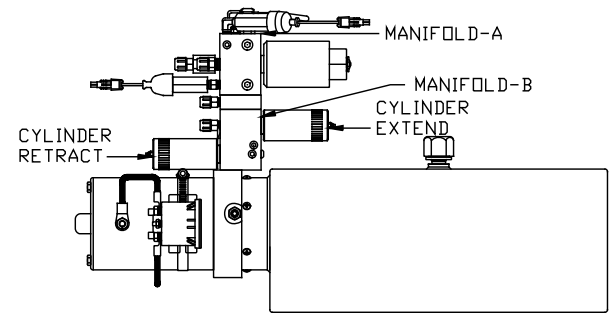
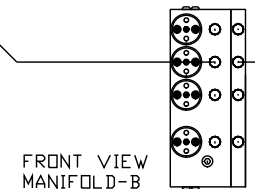
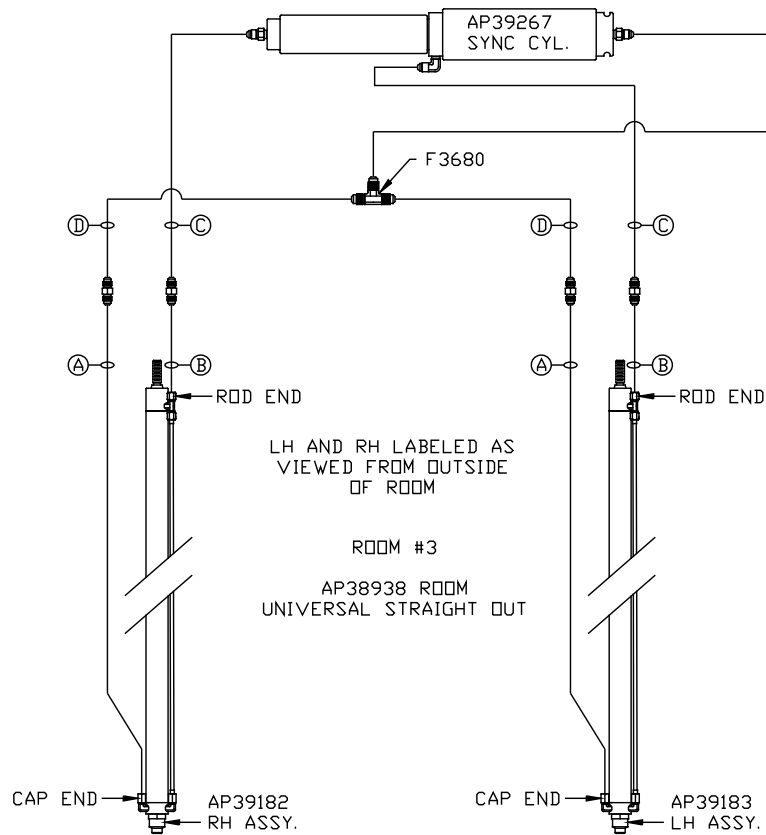
(B) AP24632 HOSE ASSY HWH02HP x 48" ROD END - ALWAYS PRESSURIZED - MUST BE HIGH PRESSURE HOSES OF EQUAL LENGTH AND DIAMETER

(C) AP24636 HOSE ASSY HWH02HP x 84" ROD END - ALWAYS PRESSURIZED - MUST BE HIGH PRESSURE HOSES OF EQUAL LENGTH AND DIAMETER

(D) AP4159 HOSE ASSY .25" x 72" CAP END - MUST MAINTAIN EQUAL LENGTH AND DIAMETER

(E) AP6218 HOSE ASSY .25" x 480" ROD END - ALWAYS PRESSURIZED

(F) AP7386 HOSE ASSY .25" x 486" CAP END



LOCATION AND ORIENTATION OF PUMP/MANIFOLD ASSEMBLY WILL DIFFER DEPENDING UPON O.E.M.

NOTE: INSTALLATION MUST CONFORM TO GOOD SHOP PRACTICES, SAE STANDARDS, RVIA STANDARDS, AND OTHER APPLICABLE STANDARDS.

ORIENTATION

← FRONT

NOTE: HOSES (A) AND (B) ARE INCLUDED WITH THE ROOM EXTENSION MECHANISM.

(A) AP24818 HOSE ASSY HWH02HP x 86" CAP END - MUST MAINTAIN EQUAL LENGTH AND DIAMETER

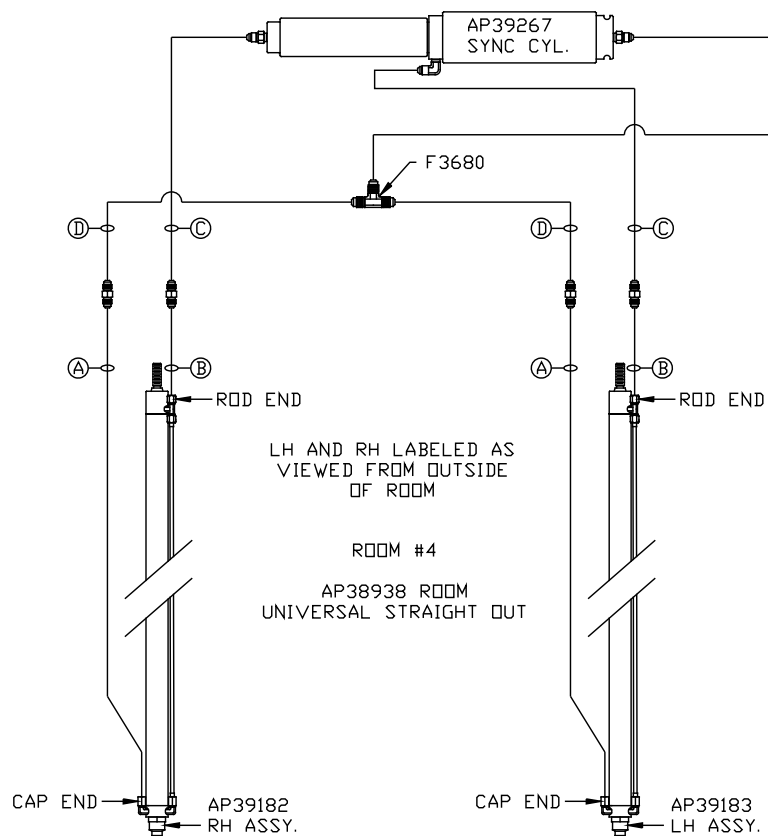
(B) AP24632 HOSE ASSY HWH02HP x 48" ROD END - ALWAYS PRESSURIZED - MUST BE HIGH PRESSURE HOSES OF EQUAL LENGTH AND DIAMETER

(C) AP24636 HOSE ASSY HWH02HP x 84" ROD END - ALWAYS PRESSURIZED - MUST BE HIGH PRESSURE HOSES OF EQUAL LENGTH AND DIAMETER

(D) AP1412 HOSE ASSY .25" x 84" CAP END - MUST MAINTAIN EQUAL LENGTH AND DIAMETER

(E) AP4162 HOSE ASSY .25" x 192" ROD END - ALWAYS PRESSURIZED

(F) AP4310 HOSE ASSY .25" x 204" CAP END

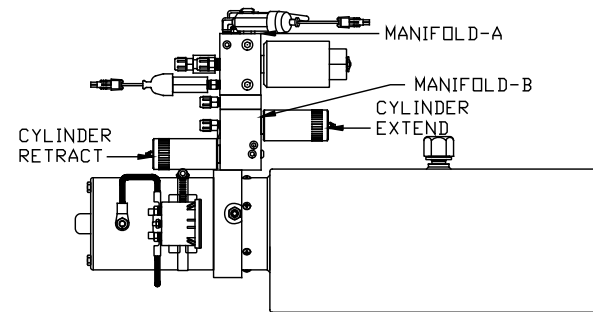


LH AND RH LABELED AS VIEWED FROM OUTSIDE OF ROOM

ROOM #4

AP38938 ROOM UNIVERSAL STRAIGHT OUT

FRONT VIEW
MANIFOLD-B



SIDE VIEW PUMP/MANIFOLD-AP37450

LOCATION AND ORIENTATION OF PUMP/MANIFOLD ASSEMBLY WILL DIFFER DEPENDING UPON O.E.M.

NOTE: INSTALLATION MUST CONFORM TO GOOD SHOP PRACTICES, SAE STANDARDS, RVIA STANDARDS, AND OTHER APPLICABLE STANDARDS.

MP70015 E/E
30JUN08