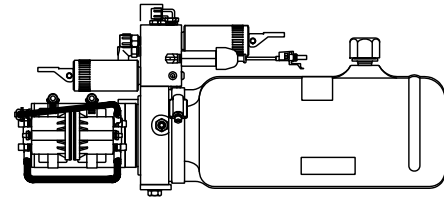
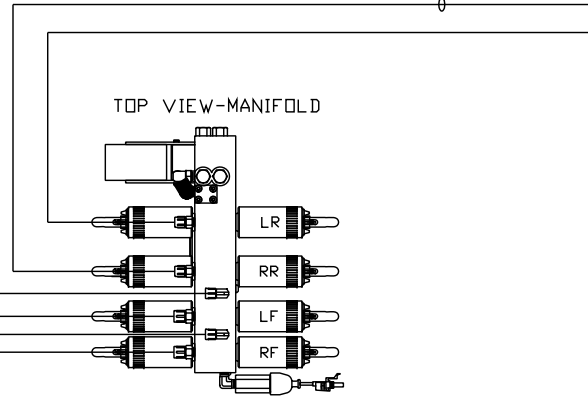
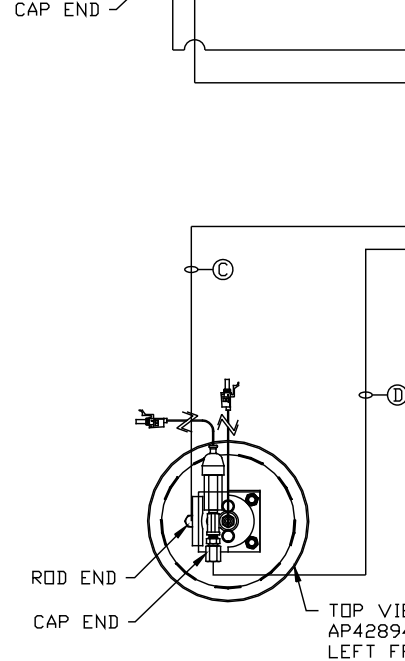
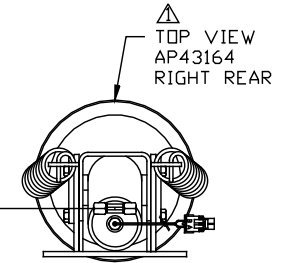
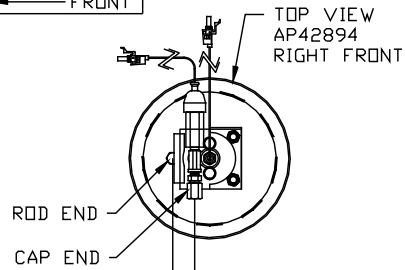
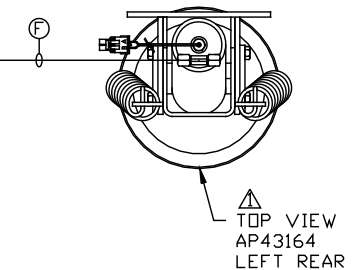


ORIENTATION
← FRONT



NOTE: CROSS TIE REQUIRED FOR REAR JACKS



SIDE VIEW PUMP/MANIFOLD-AP45948
LOCATION AND ORIENTATION OF PUMP/MANIFOLD ASSEMBLY WILL DIFFER DEPENDING UPON O.E.M.

- Ⓐ AP4827 HOSE ASSY .25" x 144" - RF ROD END
- ⚠ Ⓑ AP43250 HOSE ASSY .25/05" x 120" - RF CAP END
- Ⓒ AP1412 HOSE ASSY .25" x 84" - LF ROD END
- ⚠ Ⓓ AP43249 HOSE ASSY .25/05" x 60" - LF CAP END
- Ⓔ AP4163 HOSE ASSY .25" x 360" - RR CAP END
- Ⓕ AP2464 HOSE ASSY .25" x 324" - LR CAP END

NOTE: INSTALLATION MUST CONFORM TO GOOD SHOP PRACTICES, SAE STANDARDS, RVIA STANDARDS, AND OTHER APPLICABLE STANDARDS.

LEVELING SYSTEM: AP43040

NO.	DATE	REVISION
⚠	25JUL12	WAS AP43063
2	22DEC10	REVISED PUMP MANIFOLD
⚠	12OCT09	WAS AP29623, .313" HOSE

THE INFORMATION DISCLOSED ON THIS DRAWING IS CONFIDENTIAL AND MUST NOT BE DISCLOSED OR USED IN ANY MANNER WHICH WILL BE DETRIMENTAL TO THE HWH CORPORATION

HWH		I-80 EXIT 267 SOUTH RT 1 MOSCOW, IOWA 52760	
SCALE 1:6	DATE 02JUL08	DRAWN BY .	
HYD CONN DIAGRAM			
GENERIC			DRAWING NUMBER MP70023