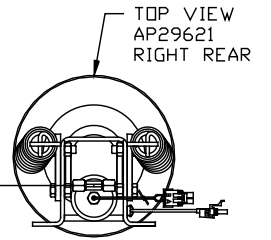
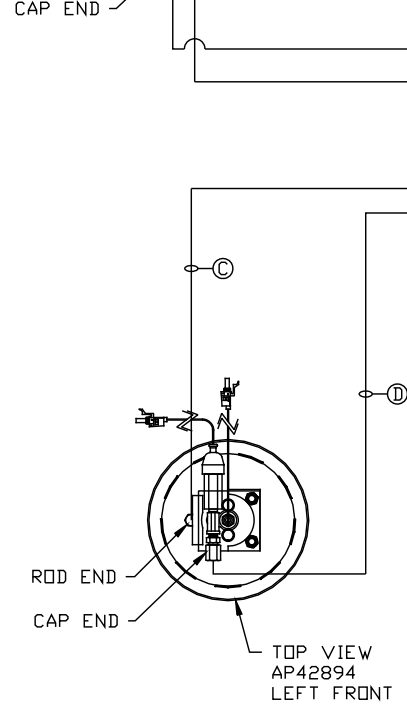
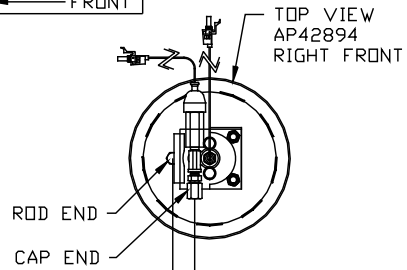
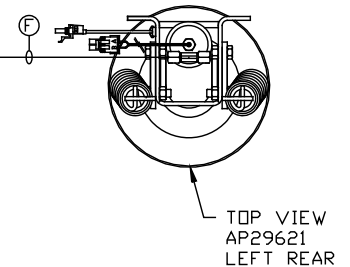


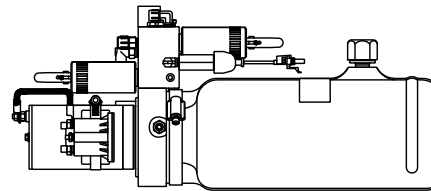
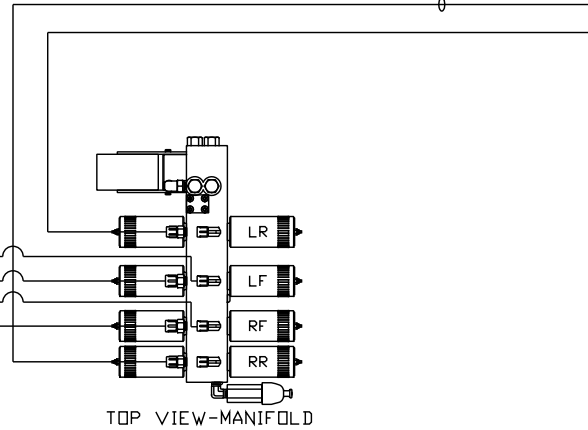
ORIENTATION  
← FRONT



NOTE: CROSS TIES REQUIRED FOR FRONT AND REAR JACKS



- Ⓐ .25" ID HOSE - RF ROD END
  - Ⓑ .313" ID HOSE - RF CAP END
  - Ⓒ .25" ID HOSE - LF ROD END
  - Ⓓ .313" ID HOSE - RF CAP END
  - Ⓔ .25" ID HOSE - RR CAP END
  - Ⓕ .25" ID HOSE - LR CAP END
- NOTE: HOSES NOT INCLUDED



SIDE VIEW PUMP/MANIFOLD-AP43063  
LOCATION AND ORIENTATION OF PUMP/MANIFOLD ASSEMBLY WILL DIFFER DEPENDING UPON O.E.M.

NOTE: INSTALLATION MUST CONFORM TO GOOD SHOP PRACTICES, SAE STANDARDS, RVIA STANDARDS, AND OTHER APPLICABLE STANDARDS.

LEVELING SYSTEM: AP43041

| NO.  | DATE | REVISION |
|--|------|----------|
| THE INFORMATION DISCLOSED ON THIS DRAWING IS CONFIDENTIAL AND MUST NOT BE DISCLOSED OR USED IN ANY MANNER WHICH WILL BE DETRIMENTAL TO THE HWH CORPORATION |      |          |

|                         |              |            |  |                           |  |
|-------------------------|--------------|------------|--|---------------------------|--|
| <b>HWH</b>              |              |            | I-80 EXIT 267 SOUTH<br>RT 1 MOSCOW, IOWA 52760 |                           |  |
| SCALE 1:6               | DATE 02JUL08 | DRAWN BY . |  |                           |  |
| <b>HYD CONN DIAGRAM</b> |              |            |  |                           |  |
| <b>GENERIC</b>          |              |            |  | DRAWING NUMBER<br>MP70024 |  |