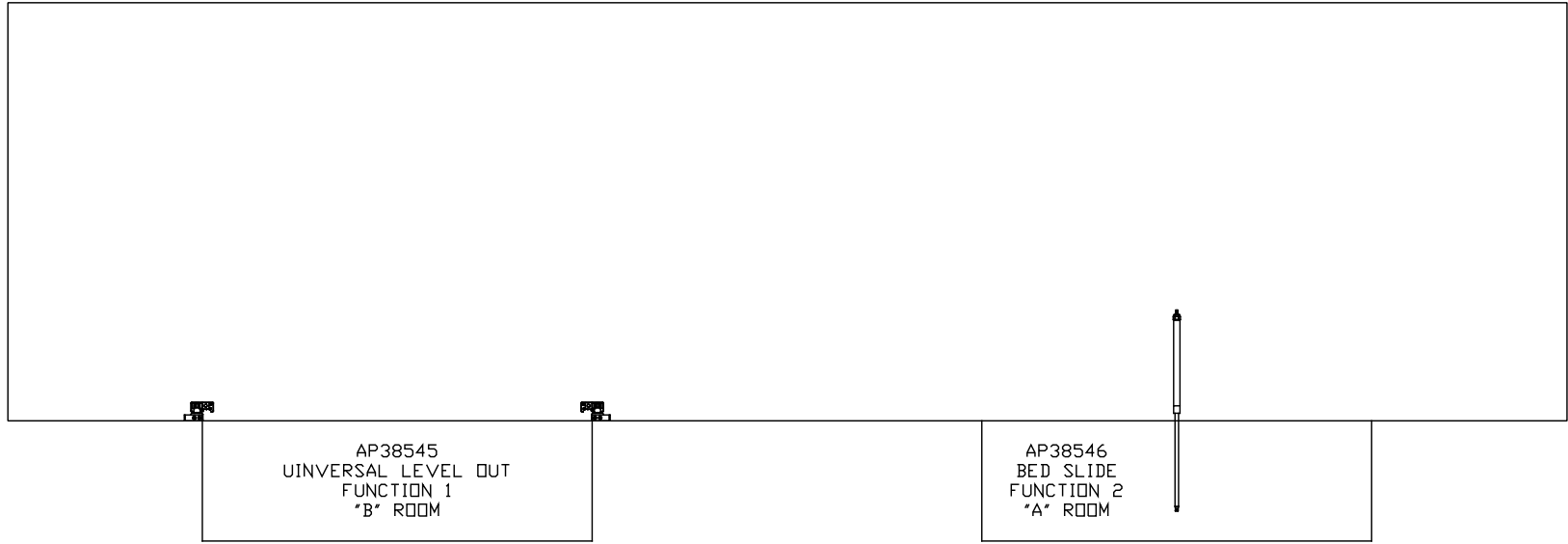


ORIENTATION  
 ← FRONT



NOTE: INSTALLATION MUST CONFORM TO GOOD SHOP PRACTICES, SAE STANDARDS, RVIA STANDARDS, AND OTHER APPLICABLE STANDARDS.

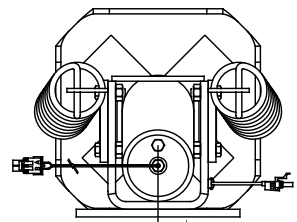
COACH KIT: AP43767

NO.	DATE	REVISION

THE INFORMATION DISCLOSED ON THIS DRAWING IS CONFIDENTIAL AND MUST NOT BE DISCLOSED OR USED IN ANY MANNER WHICH WILL BE DETRIMENTAL TO THE HWH CORPORATION

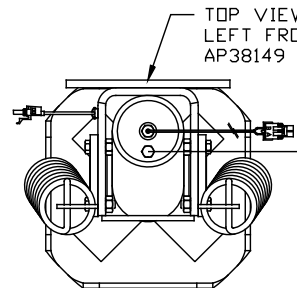
HWH		I-80 EXIT 267 SOUTH RT 1 MOSCOW, IOWA 52760	
SCALE 1:6	DATE 10NOV08	DRAWN BY .	
HYD CONN DIAGRAM			
OPTIMA		DRAWING NUMBER MP70070 A/D	

ORIENTATION  
 ← FRONT



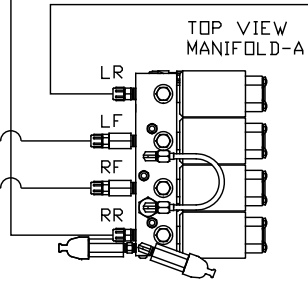
TOP VIEW  
 RIGHT FRONT  
 AP38149

Ⓐ

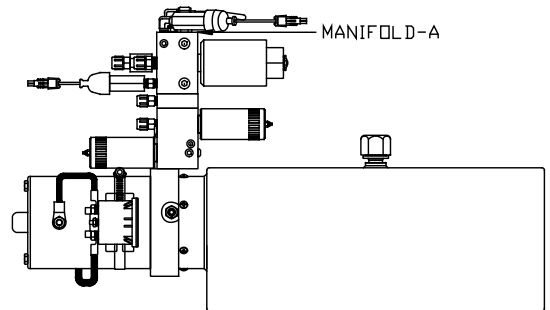


TOP VIEW  
 LEFT FRONT  
 AP38149

Ⓑ



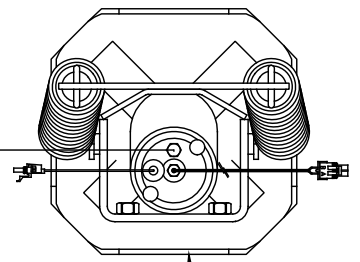
TOP VIEW  
 MANIFOLD-A



SIDE VIEW PUMP/MANIFOLD-AP39700

LOCATION AND ORIENTATION OF  
 PUMP/MANIFOLD ASSEMBLY WILL  
 DIFFER DEPENDING UPON O.E.M.

Ⓒ

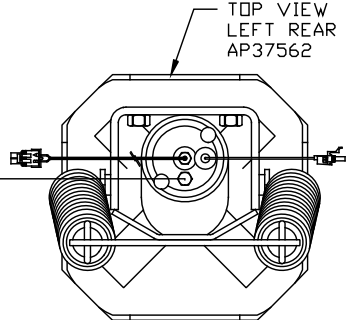


TOP VIEW  
 RIGHT REAR  
 AP37562

- Ⓐ AP4161 HOSE ASSY .25" x 120"
- Ⓑ AP5352 HOSE ASSY .25" x 96"
- Ⓒ AP7315 HOSE ASSY .313" x 432"
- Ⓓ AP15835 HOSE ASSY .313" x 408"

NOTE: CROSS TIES REQUIRED  
 FOR FRONT AND REAR JACKS

Ⓓ

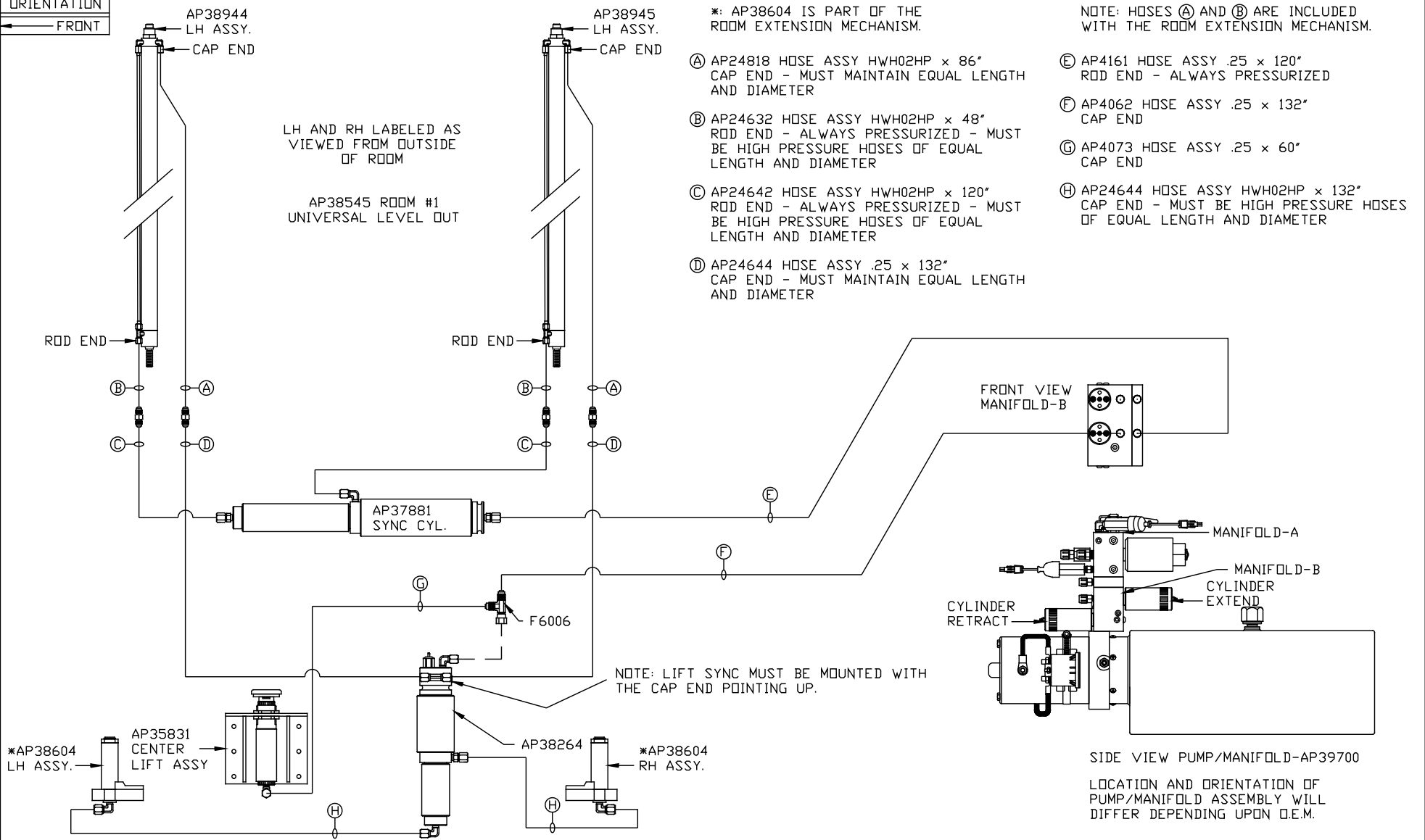


TOP VIEW  
 LEFT REAR  
 AP37562

NOTE: INSTALLATION MUST CONFORM TO GOOD SHOP PRACTICES, SAE  
 STANDARDS, RVIA STANDARDS, AND OTHER APPLICABLE STANDARDS.

MP70070 B/D  
 10NOV08

ORIENTATION  
← FRONT

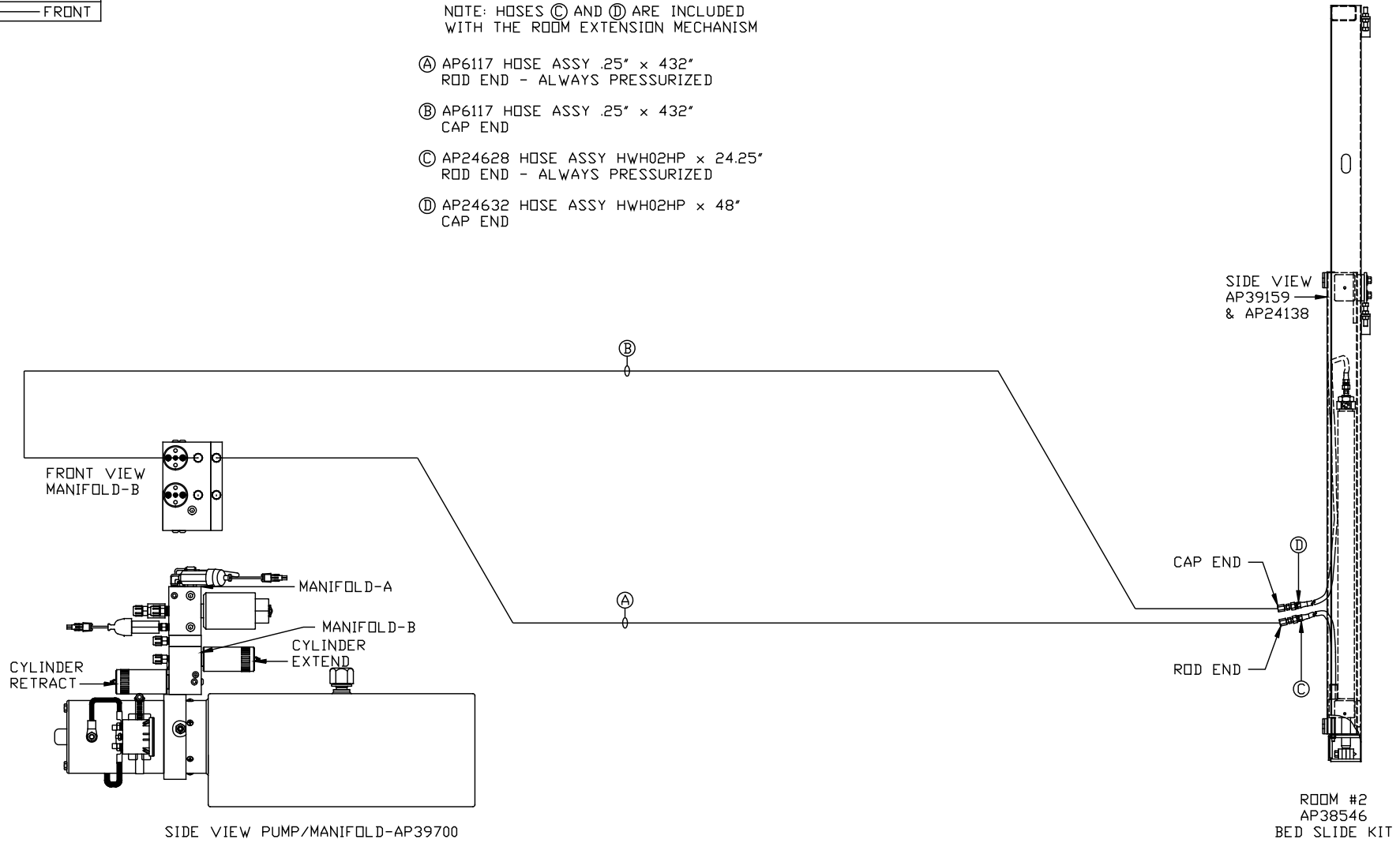


ORIENTATION

← FRONT

NOTE: HOSES ③ AND ④ ARE INCLUDED WITH THE ROOM EXTENSION MECHANISM

- ① AP6117 HOSE ASSY .25" x 432"  
ROD END - ALWAYS PRESSURIZED
- ② AP6117 HOSE ASSY .25" x 432"  
CAP END
- ③ AP24628 HOSE ASSY HWH02HP x 24.25"  
ROD END - ALWAYS PRESSURIZED
- ④ AP24632 HOSE ASSY HWH02HP x 48"  
CAP END



NOTE: INSTALLATION MUST CONFORM TO GOOD SHOP PRACTICES, SAE STANDARDS, RVIA STANDARDS, AND OTHER APPLICABLE STANDARDS.

MP70070 D/D  
10NOV08