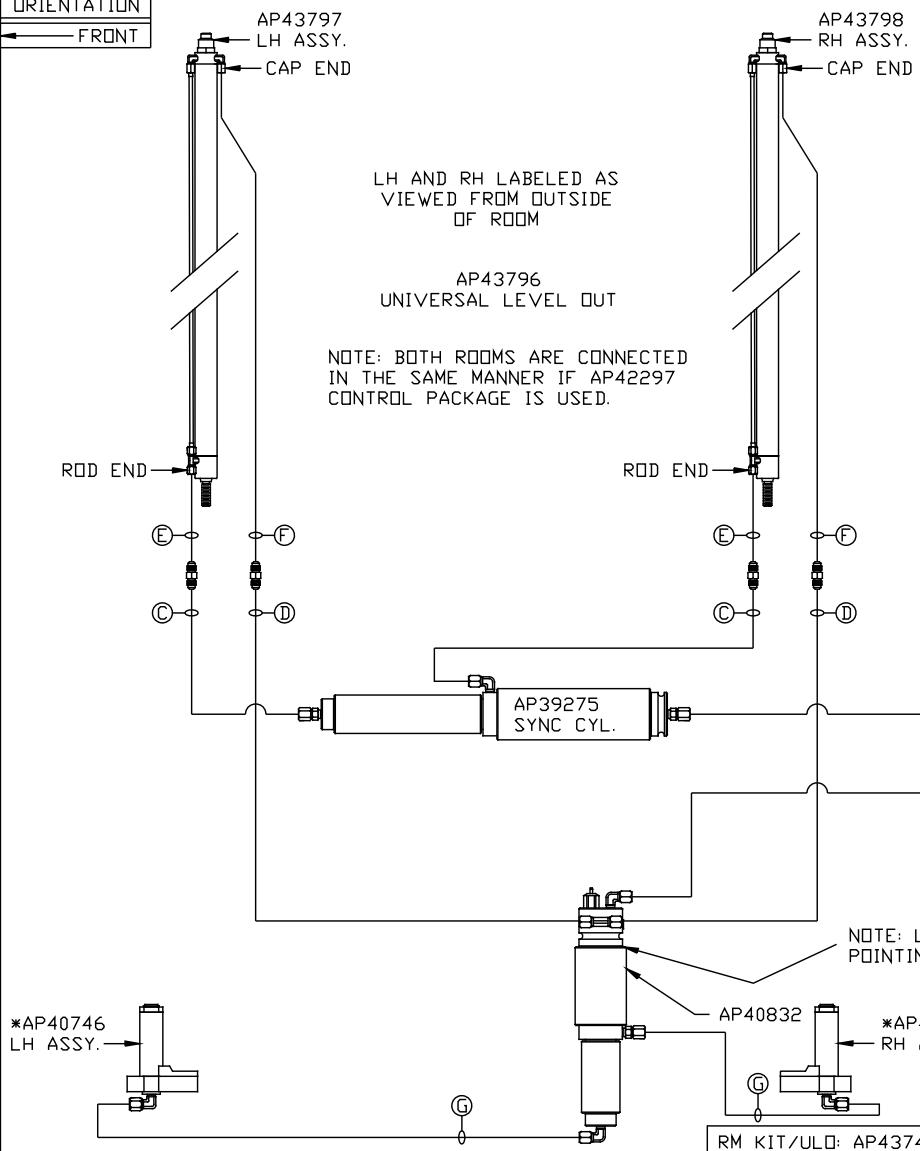


ORIENTATION  
← FRONT



\*: AP40746 IS PART OF THE ROOM EXTENSION MECHANISM.

NOTE: HOSES (E) AND (F) ARE INCLUDED WITH THE ROOM EXTENSION MECHANISM

(A) AP4059 HOSE ASSY .25" x 36" ROD END - ALWAYS PRESSURIZED

(E) AP24632 HOSE ASSY HWH02HP x 48" ROD END - ALWAYS PRESSURIZED - MUST BE HIGH PRESSURE HOSES OF EQUAL LENGTH AND DIAMETER

(B) AP4059 HOSE ASSY .25" x 36" CAP END

(F) AP24818 HOSE ASSY HWH02HP x 86" CAP END - MUST MAINTAIN EQUAL LENGTH AND DIAMETER

(C) AP24636 HOSE ASSY HWH02HP x 84" ROD END - ALWAYS PRESSURIZED - MUST BE HIGH PRESSURE HOSES OF EQUAL LENGTH AND DIAMETER

(G) AP24636 HOSE ASSY HWH02HP x 84" CAP END - MUST BE HIGH PRESSURE HOSES OF EQUAL LENGTH AND DIAMETER

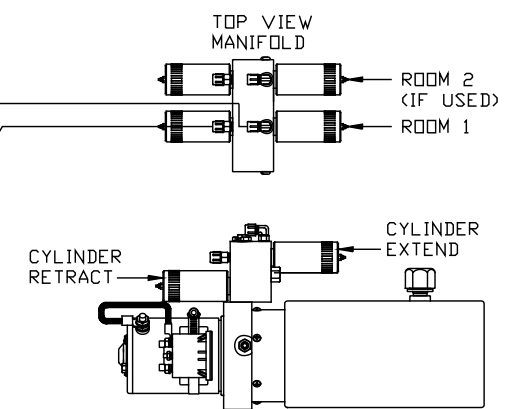
(D) AP1412 HOSE ASSY .25" x 84" CAP END - MUST MAINTAIN EQUAL LENGTH AND DIAMETER

LH AND RH LABELED AS VIEWED FROM OUTSIDE OF ROOM

AP43796 UNIVERSAL LEVEL OUT

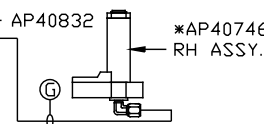
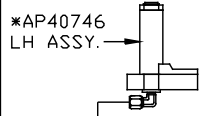
NOTE: BOTH ROOMS ARE CONNECTED IN THE SAME MANNER IF AP42297 CONTROL PACKAGE IS USED.

NOTE: LIFT SYNC MUST BE MOUNTED WITH THE CAP END POINTING UP.



SIDE VIEW PUMP/MANIFOLD  
AP32369 - PART OF AP42295  
AP36692 - PART OF AP42297

LOCATION AND ORIENTATION OF PUMP/MANIFOLD ASSEMBLY WILL DIFFER DEPENDING UPON O.E.M.



NOTE: INSTALLATION MUST CONFORM TO GOOD SHOP PRACTICES, SAE STANDARDS, RVIA STANDARDS, AND OTHER APPLICABLE STANDARDS.

RM KIT/ULD: AP43747		
CTRL PKG/1RM: AP42295		
CTRL PKG/2RM: AP42297		
THE INFORMATION DISCLOSED ON THIS DRAWING IS CONFIDENTIAL AND MUST NOT BE DISCLOSED OR USED IN ANY MANNER WHICH WILL BE DETRIMENTAL TO THE HWH CORPORATION		

HWH			I-80 EXIT 267 SOUTH RT 1 MOSCOW, IOWA 52760		
SCALE 1:6	DATE 10NOV08	DRAWN BY .			
HYD CONN DIAGRAM					
LDV, INC.				DRAWING NUMBER MP70071	