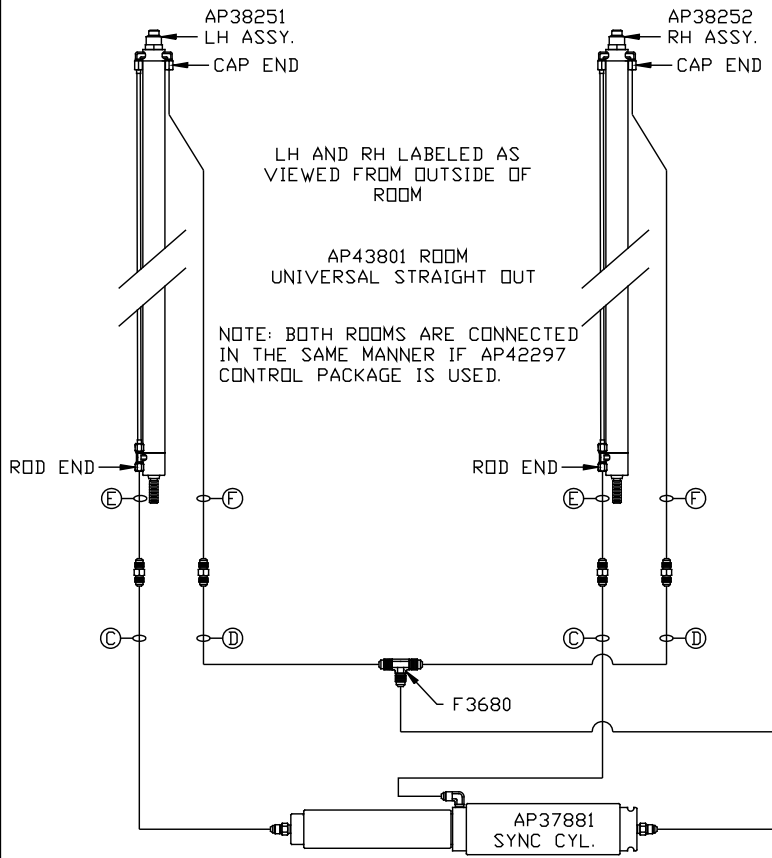
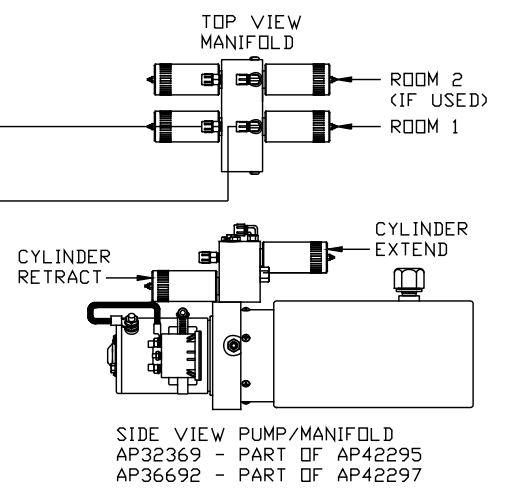


ORIENTATION  
← FRONT



- Ⓐ AP4059 HOSE ASSY .25" x 36"  
ROD END - ALWAYS PRESSURIZED
- Ⓑ AP4059 HOSE ASSY .25" x 36"  
CAP END
- Ⓒ AP24636 HOSE ASSY HWH02HP x 84"  
ROD END - ALWAYS PRESSURIZED - MUST  
BE HIGH PRESSURE HOSES OF EQUAL  
LENGTH AND DIAMETER
- Ⓓ AP1412 HOSE ASSY .25" x 84"  
CAP END - MUST MAINTAIN EQUAL LENGTH  
AND DIAMETER

- NOTE: HOSES Ⓒ AND Ⓓ ARE INCLUDED  
WITH THE ROOM EXTENSION MECHANISM
- Ⓔ AP24632 HOSE ASSY HWH02HP x 48"  
ROD END - ALWAYS PRESSURIZED - MUST  
BE HIGH PRESSURE HOSES OF EQUAL  
LENGTH AND DIAMETER
  - Ⓕ AP24818 HOSE ASSY HWH02HP x 86"  
CAP END - MUST MAINTAIN EQUAL LENGTH  
AND DIAMETER



LOCATION AND ORIENTATION OF  
PUMP/MANIFOLD ASSEMBLY WILL  
DIFFER DEPENDING UPON O.E.M.

NOTE: INSTALLATION MUST CONFORM TO GOOD SHOP PRACTICES, SAE  
STANDARDS, RVIA STANDARDS, AND OTHER APPLICABLE STANDARDS.

RM KIT/USD: AP43750	NO.	DATE	REVISION
CTRL PKG/1RM: AP42295	THE INFORMATION DISCLOSED ON THIS DRAWING IS CONFIDENTIAL AND MUST NOT BE DISCLOSED OR USED IN ANY MANNER WHICH WILL BE DETRIMENTAL TO THE HWH CORPORATION		
CTRL PKG/2RM: AP42297			

HWH		I-80 EXIT 267 SOUTH RT 1 MOSCOW, IOWA 52760	
		SCALE 1:6	DATE 10NOV08
HYD CONN DIAGRAM		DRAWN BY .	
LDV, INC.		DRAWING NUMBER MP70074	