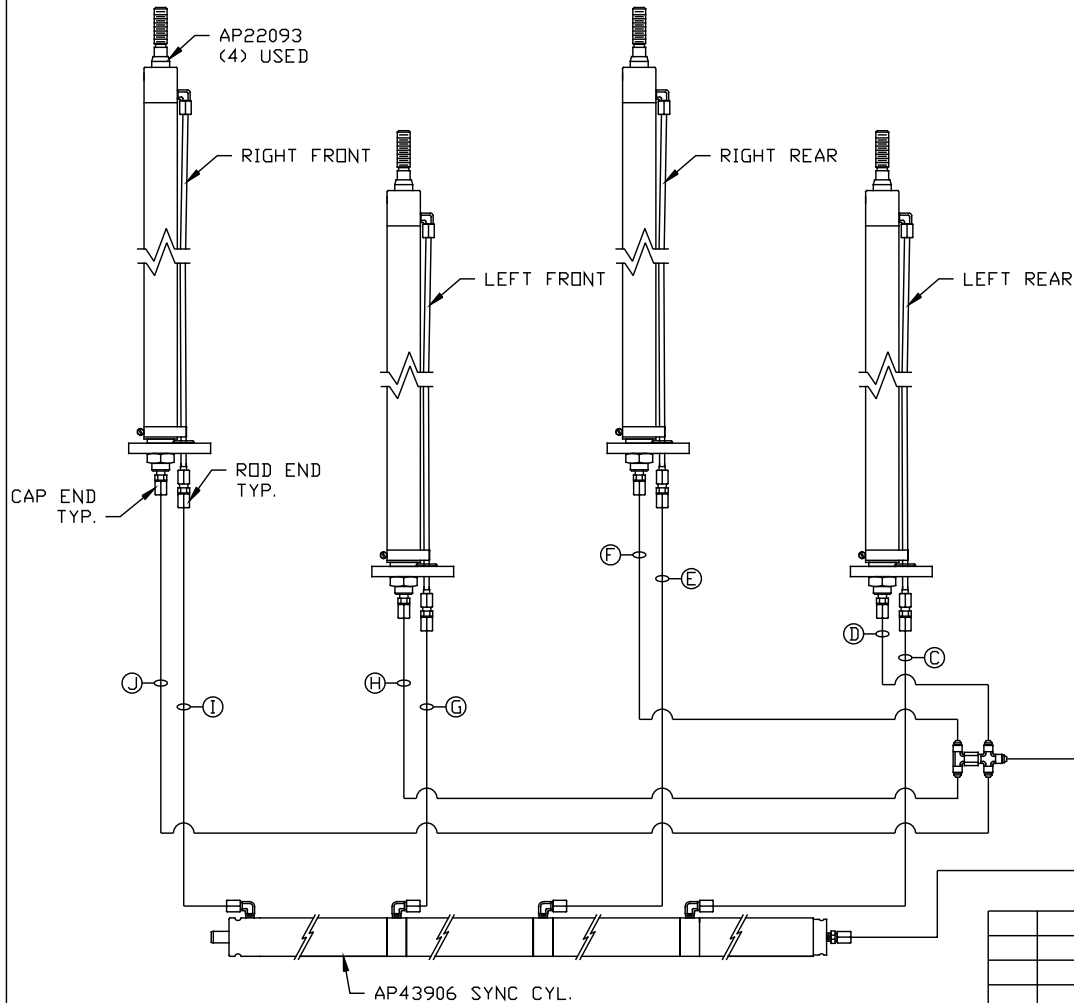


ORIENTATION

← FRONT

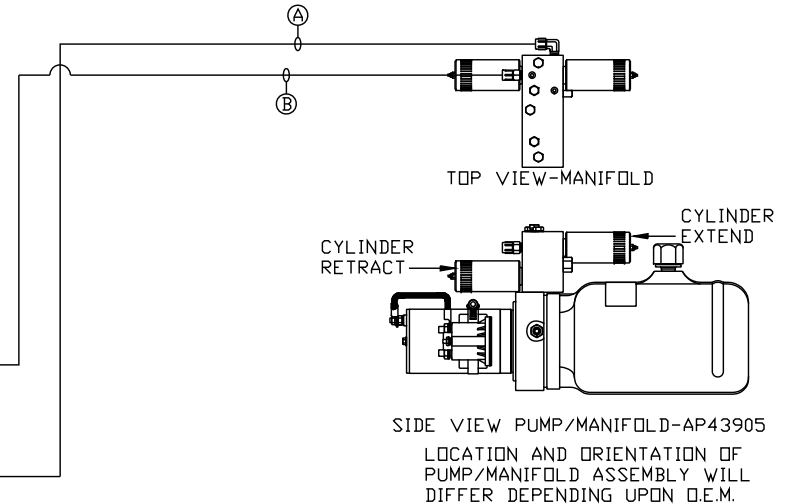


NOTE: ALL ROD END HOSES ARE ALWAYS PRESSURIZED.

NOTE: HOSES (C) (E) (G) AND (I) MUST BE HIGH PRESSURE HOSES OF EQUAL LENGTH AND DIAMETER

NOTE: HOSES (D) (F) (H) AND (J) MUST MAINTAIN EQUAL LENGTH AND DIAMETER

- (A) .25" ID HOSE ROD END
- (B) .25" ID HOSE CAP END
- (C) .125" ID HP HOSE ROD END
- (D) .25" ID HOSE CAP END
- (E) .125" ID HP HOSE ROD END
- (F) .25" ID HOSE CAP END
- (G) .125" ID HP HOSE ROD END
- (H) .25" ID HOSE CAP END
- (I) .125" ID HP HOSE ROD END
- (J) .25" ID HOSE CAP END



LOCATION AND ORIENTATION OF PUMP/MANIFOLD ASSEMBLY WILL DIFFER DEPENDING UPON O.E.M.

NOTE: INSTALLATION MUST CONFORM TO GOOD SHOP PRACTICES, SAE STANDARDS, RVIA STANDARDS, AND OTHER APPLICABLE STANDARDS.

CONTROL PACKAGE: AP43903

NO.	DATE	REVISION
THE INFORMATION DISCLOSED ON THIS DRAWING IS CONFIDENTIAL AND MUST NOT BE DISCLOSED OR USED IN ANY MANNER WHICH WILL BE DETRIMENTAL TO THE HWH CORPORATION		

HWH			I-80 EXIT 267 SOUTH RT 1 MOSCOW, IOWA 52760		
SCALE 1:6	DATE 16DEC08	DRAWN BY .			
HYD CONN DIAGRAM					
AGILE				DRAWING NUMBER MP70081	