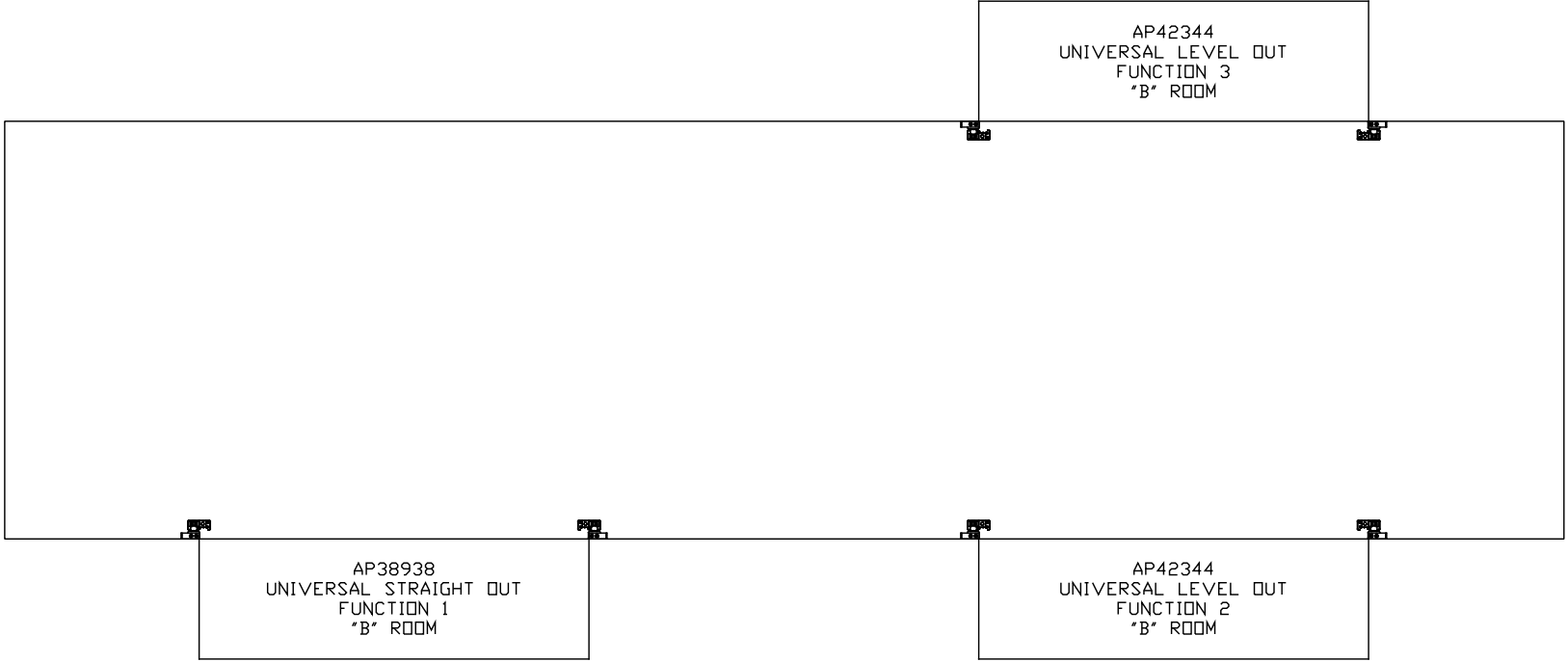


ORIENTATION
 ← FRONT



NOTE: INSTALLATION MUST CONFORM TO GOOD SHOP PRACTICES, SAE STANDARDS, RVIA STANDARDS, AND OTHER APPLICABLE STANDARDS.

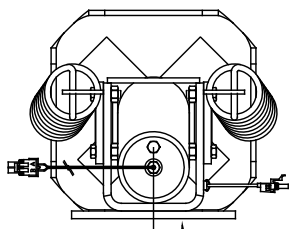
LEVELING SYSTEM: AP40675
 COACH KIT: AP43967

NO.	DATE	REVISION

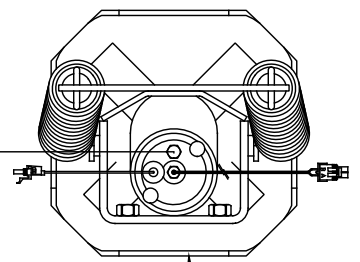
THE INFORMATION DISCLOSED ON THIS DRAWING IS CONFIDENTIAL AND MUST NOT BE DISCLOSED OR USED IN ANY MANNER WHICH WILL BE DETRIMENTAL TO THE HWH CORPORATION

HWH		I-80 EXIT 267 SOUTH RT 1 MOSCOW, IOWA 52760	
		SCALE 1:6	DATE 22DEC08
HYD CONN DIAGRAM		DRAWN BY .	
OPTIMA		DRAWING NUMBER MP70094 A/D	

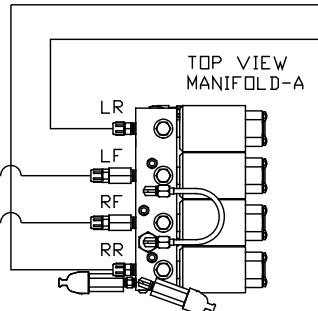
ORIENTATION
 ← FRONT



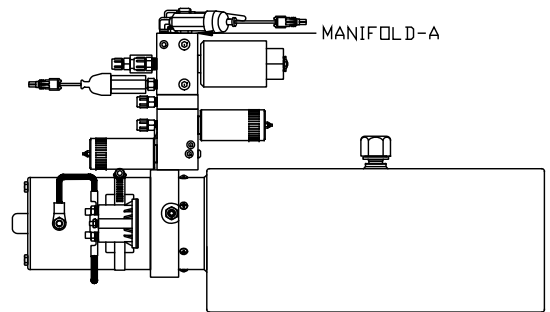
TOP VIEW
 RIGHT FRONT
 AP38149



TOP VIEW
 RIGHT REAR
 AP37562

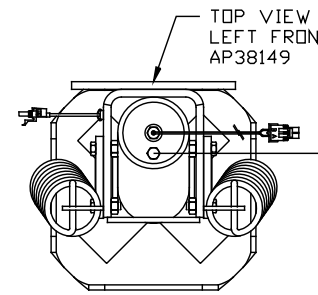


TOP VIEW
 MANIFOLD-A

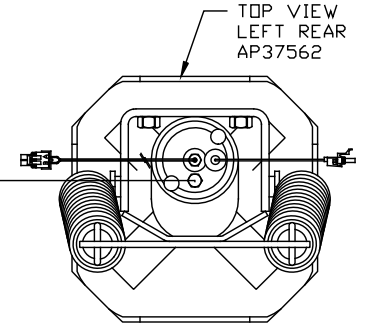


SIDE VIEW PUMP/MANIFOLD-AP39438

LOCATION AND ORIENTATION OF
 PUMP/MANIFOLD ASSEMBLY WILL
 DIFFER DEPENDING UPON O.E.M.



TOP VIEW
 LEFT FRONT
 AP38149



TOP VIEW
 LEFT REAR
 AP37562

- Ⓐ AP4062 HOSE ASSY .25" x 132"
- Ⓑ AP4827 HOSE ASSY .25" x 144"
- Ⓒ AP7315 HOSE ASSY .313" x 432"
- Ⓓ AP15835 HOSE ASSY .313" x 408"

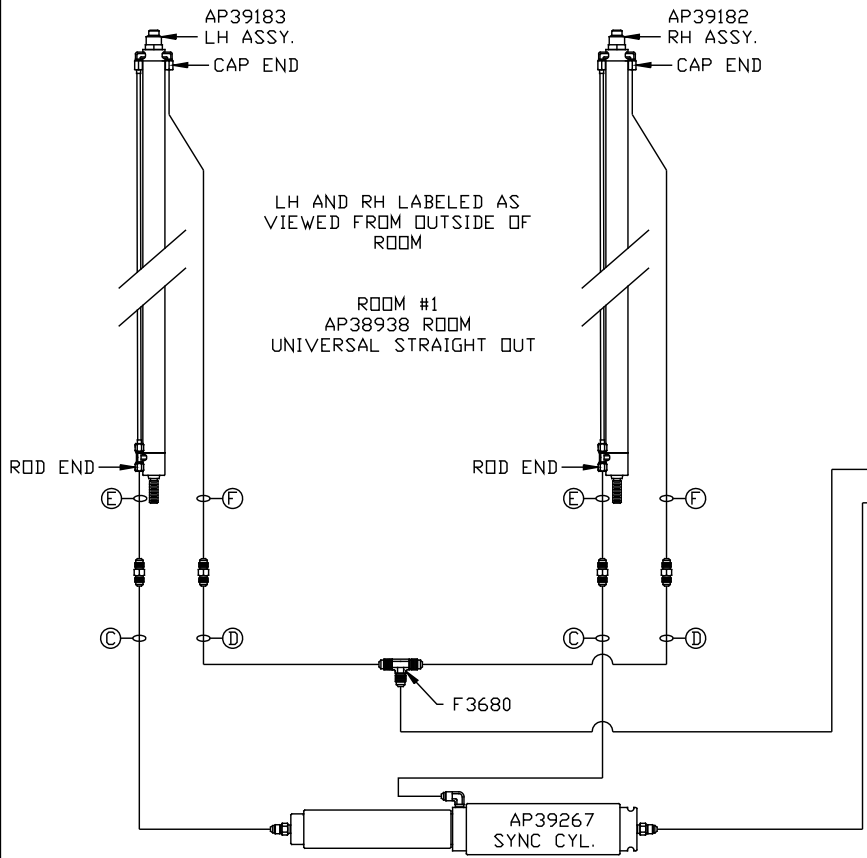
NOTE: CROSS TIES REQUIRED
 FOR FRONT AND REAR JACKS

NOTE: INSTALLATION MUST CONFORM TO GOOD SHOP PRACTICES, SAE
 STANDARDS, RVIA STANDARDS, AND OTHER APPLICABLE STANDARDS.

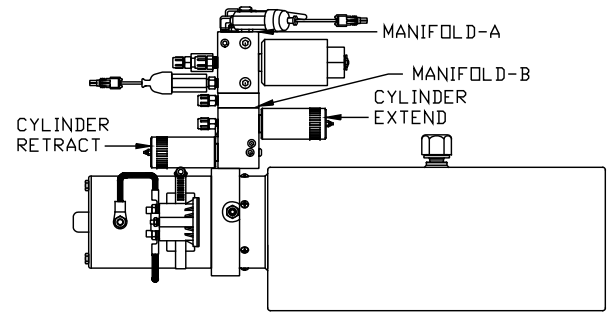
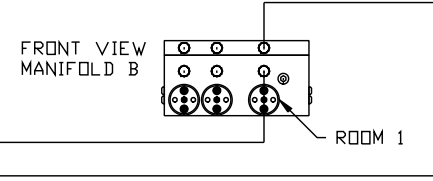
MP70094 B/D
 22DEC08

ORIENTATION
← FRONT

NOTE: HOSES (C) AND (F) ARE INCLUDED WITH THE ROOM EXTENSION MECHANISM



- (A) AP6116 HOSE ASSY .25" x 240"
ROD END - ALWAYS PRESSURIZED
- (B) AP26791 HOSE ASSY .25" x 250"
CAP END
- (C) AP25086 HOSE ASSY HWH02HP x 78"
ROD END - ALWAYS PRESSURIZED - MUST BE HIGH PRESSURE HOSES OF EQUAL LENGTH AND DIAMETER
- (D) AP1412 HOSE ASSY .25" x 84"
CAP END - MUST MAINTAIN EQUAL LENGTH AND DIAMETER
- (E) AP24632 HOSE ASSY HWH02HP x 48"
ROD END - ALWAYS PRESSURIZED - MUST BE HIGH PRESSURE HOSES OF EQUAL LENGTH AND DIAMETER
- (F) AP24818 HOSE ASSY HWH02HP x 86"
CAP END - MUST MAINTAIN EQUAL LENGTH AND DIAMETER



SIDE VIEW PUMP/MANIFOLD-AP39438
LOCATION AND ORIENTATION OF PUMP/MANIFOLD ASSEMBLY WILL DIFFER DEPENDING UPON O.E.M.

NOTE: INSTALLATION MUST CONFORM TO GOOD SHOP PRACTICES, SAE STANDARDS, RVIA STANDARDS, AND OTHER APPLICABLE STANDARDS.

MP70094 C/D
22DEC08

ORIENTATION
← FRONT

AP40753
LH ASSY.
CAP END

AP40754
RH ASSY.
CAP END

LH AND RH LABELED AS
VIEWED FROM OUTSIDE
OF ROOM

AP42344 ROOM #2
UNIVERSAL LEVEL OUT

NOTE: BOTH ROOM #2 AND #3 USE
THE SAME HOSE KIT AND ARE CONNECTED
IN THE SAME MANNER.

ROD END

ROD END

*: PART OF THE ROOM
EXTENSION MECHANISM.

NOTE: HOSES (E) AND (G) ARE INCLUDED
WITH THE ROOM EXTENSION MECHANISM.

- (A) AP24652 HOSE ASSY HWH02HP x 192"
ROD END - ALWAYS PRESSURIZED
- (B) AP24653 HOSE ASSY HWH02HP x 204"
CAP END
- (C) AP24638 HOSE ASSY HWH02HP x 90"
ROD END - ALWAYS PRESSURIZED - MUST
BE HIGH PRESSURE HOSES OF EQUAL
LENGTH AND DIAMETER
- (D) AP24636 HOSE ASSY HWH02HP x 84"
CAP END - MUST MAINTAIN EQUAL LENGTH
AND DIAMETER

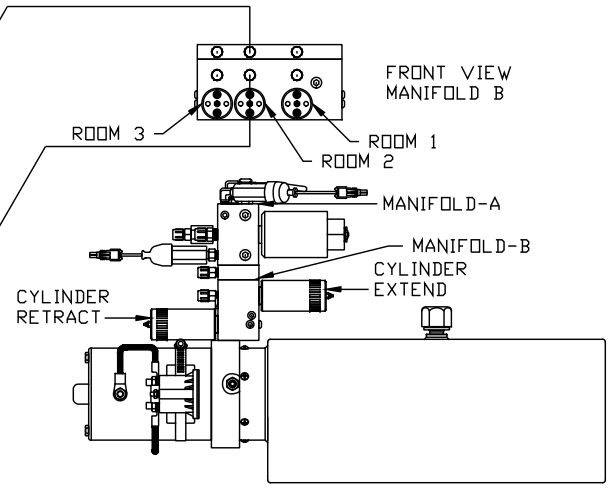
- (E) AP24818 HOSE ASSY HWH02HP x 86"
CAP END - MUST MAINTAIN EQUAL LENGTH
AND DIAMETER
- (F) AP24632 HOSE ASSY HWH02HP x 48"
ROD END - ALWAYS PRESSURIZED - MUST
BE HIGH PRESSURE HOSES OF EQUAL
LENGTH AND DIAMETER
- (G) AP25086 HOSE ASSY HWH02HP x 78"
CAP END - MUST BE HIGH PRESSURE HOSES
OF EQUAL LENGTH AND DIAMETER

AP37881
SYNC CYL.

AP40832
NOTE: LIFT SYNC MUST BE MOUNTED
WITH THE CAP END POINTING UP.

*LH ASSY.

*RH ASSY.



SIDE VIEW PUMP/MANIFOLD-AP39438

LOCATION AND ORIENTATION OF
PUMP/MANIFOLD ASSEMBLY WILL
DIFFER DEPENDING UPON O.E.M.

NOTE: INSTALLATION MUST CONFORM TO GOOD SHOP PRACTICES, SAE
STANDARDS, RVIA STANDARDS, AND OTHER APPLICABLE STANDARDS.