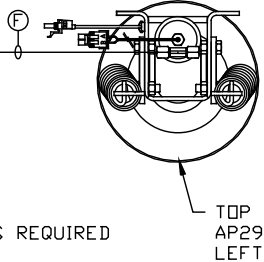
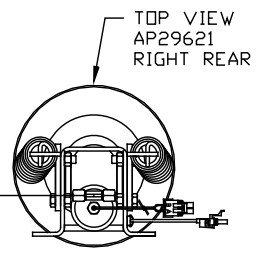
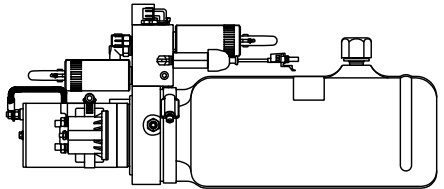
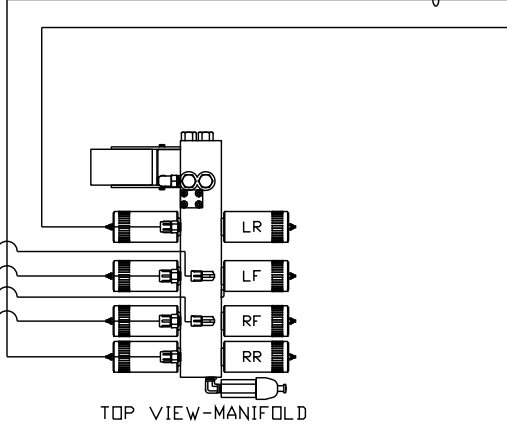
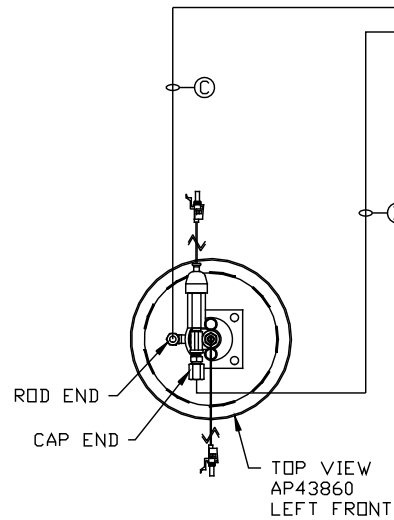
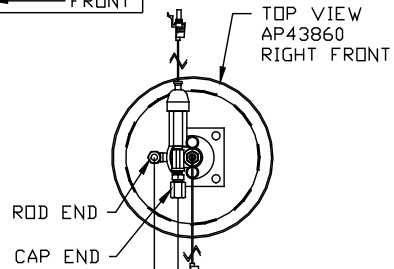


ORIENTATION

← FRONT



- Ⓐ AP5965 HOSE ASSY .25" x 180" - RF ROD END
- Ⓑ AP43436 HOSE ASSY .25/05" x 180" - RF CAP END
- Ⓒ AP5350 HOSE ASSY .25" x 57" - LF ROD END
- Ⓓ AP43249 HOSE ASSY .25/05" x 60" - RF CAP END
- Ⓔ AP6217 HOSE ASSY .25" x 456" - RR CAP END
- Ⓕ AP2465 HOSE ASSY .25" x 348" - LR CAP END

LOCATION AND ORIENTATION OF PUMP/MANIFOLD ASSEMBLY WILL DIFFER DEPENDING UPON O.E.M.

NOTE: CROSS TIES REQUIRED FOR REAR JACKS

NOTE: INSTALLATION MUST CONFORM TO GOOD SHOP PRACTICES, SAE STANDARDS, RVIA STANDARDS, AND OTHER APPLICABLE STANDARDS.

LEVELING SYSTEM: AP44289

NO.	DATE	REVISION
THE INFORMATION DISCLOSED ON THIS DRAWING IS CONFIDENTIAL AND MUST NOT BE DISCLOSED OR USED IN ANY MANNER WHICH WILL BE DETRIMENTAL TO THE HWH CORPORATION		

HWH			I-80 EXIT 267 SOUTH RT 1 MOSCOW, IOWA 52760	
SCALE 1:6	DATE 20FEB09	DRAWN BY .		
HYD CONN DIAGRAM				
DYNAMAX			DRAWING NUMBER MP70122	