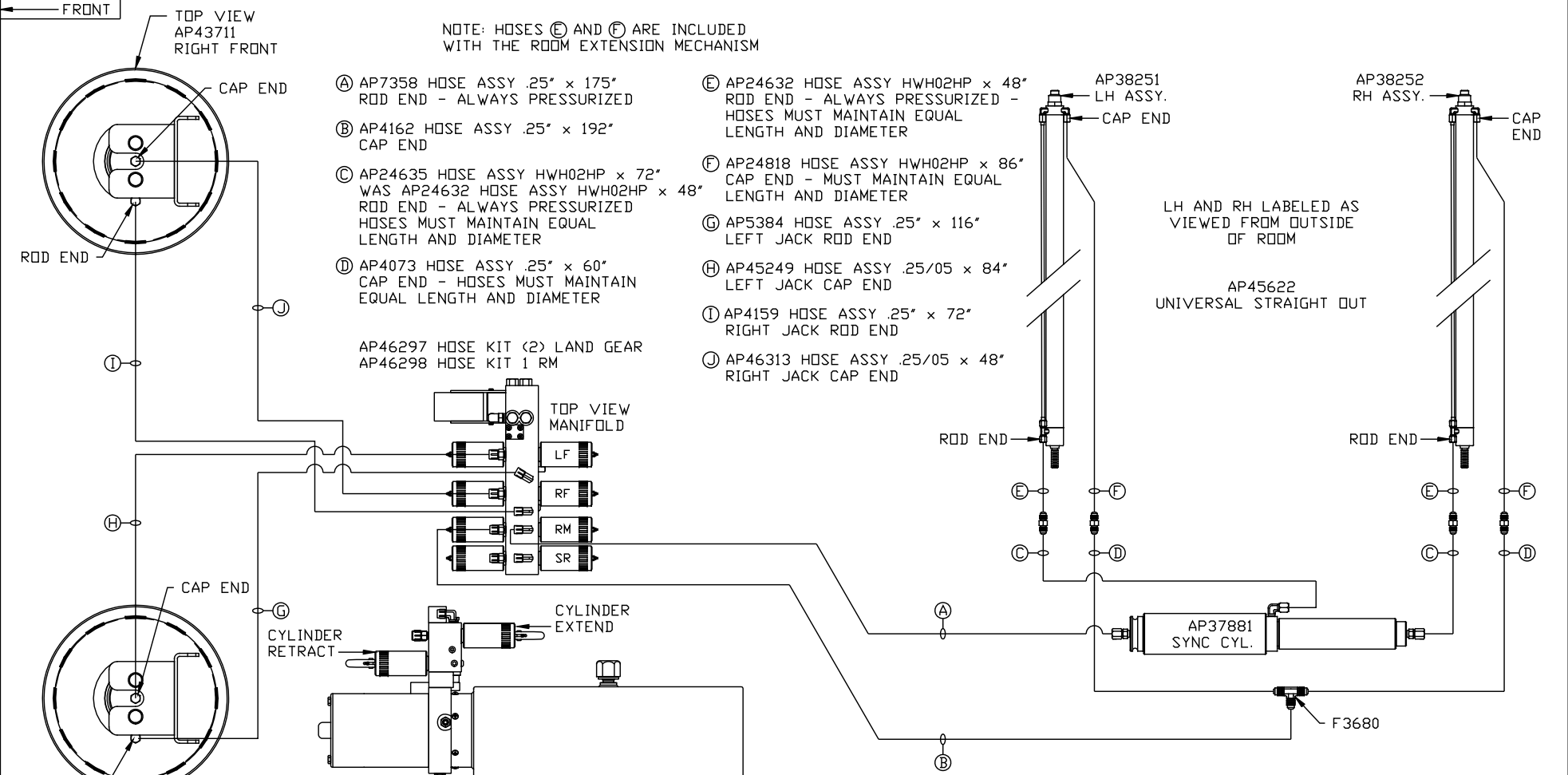


ORIENTATION

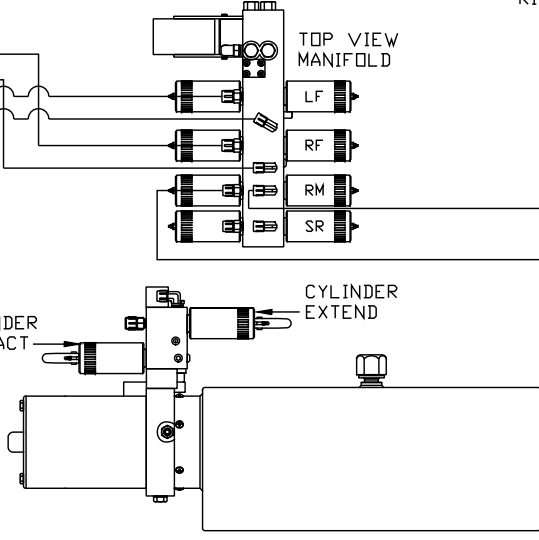
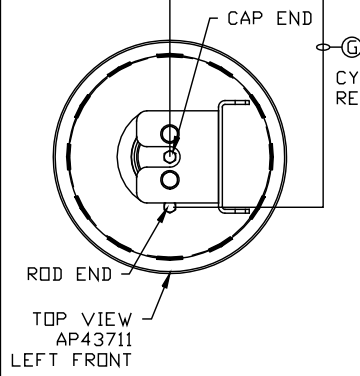
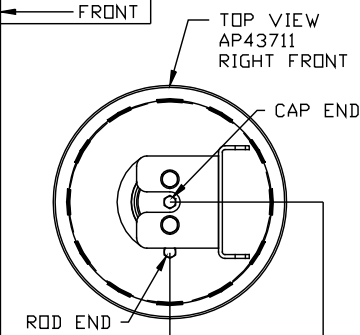
← FRONT



NOTE: HOSES (C) AND (F) ARE INCLUDED WITH THE ROOM EXTENSION MECHANISM

- (A) AP7358 HOSE ASSY .25" x 175" ROD END - ALWAYS PRESSURIZED
- (B) AP4162 HOSE ASSY .25" x 192" CAP END
- (C) AP24635 HOSE ASSY HWH02HP x 72" WAS AP24632 HOSE ASSY HWH02HP x 48" ROD END - ALWAYS PRESSURIZED HOSES MUST MAINTAIN EQUAL LENGTH AND DIAMETER
- (D) AP4073 HOSE ASSY .25" x 60" CAP END - HOSES MUST MAINTAIN EQUAL LENGTH AND DIAMETER
- (E) AP24632 HOSE ASSY HWH02HP x 48" ROD END - ALWAYS PRESSURIZED - HOSES MUST MAINTAIN EQUAL LENGTH AND DIAMETER
- (F) AP24818 HOSE ASSY HWH02HP x 86" CAP END - MUST MAINTAIN EQUAL LENGTH AND DIAMETER
- (G) AP5384 HOSE ASSY .25" x 116" LEFT JACK ROD END
- (H) AP45249 HOSE ASSY .25/05 x 84" LEFT JACK CAP END
- (I) AP4159 HOSE ASSY .25" x 72" RIGHT JACK ROD END
- (J) AP46313 HOSE ASSY .25/05 x 48" RIGHT JACK CAP END

AP46297 HOSE KIT (2) LAND GEAR  
AP46298 HOSE KIT 1 RM



LOCATION AND ORIENTATION OF PUMP/MANIFOLD ASSEMBLY WILL DIFFER DEPENDING UPON O.E.M.

NOTE: INSTALLATION MUST CONFORM TO GOOD SHOP PRACTICES, SAE STANDARDS, RVIA STANDARDS, AND OTHER APPLICABLE STANDARDS.

JACK KIT: AP46285 (2) USED  
CONTROL PACKAGE: AP46295

Δ	05FEB13	WAS AP46148 AND AP46149
1	31JUL12	UP'D HOSES, AD'D HOSE KIT NO.S
NO.	DATE	REVISION

THE INFORMATION DISCLOSED ON THIS DRAWING IS CONFIDENTIAL AND MUST NOT BE DISCLOSED OR USED IN ANY MANNER WHICH WILL BE DETRIMENTAL TO THE HWH CORPORATION

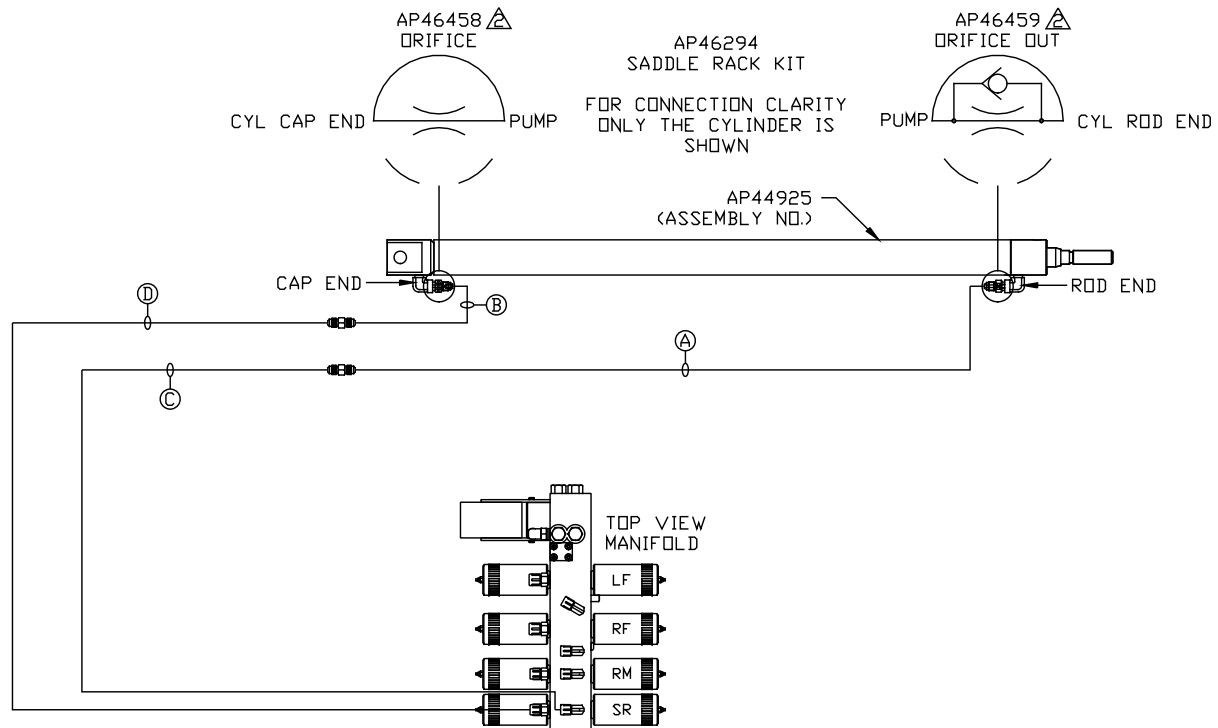
HWH I-80 EXIT 267 SOUTH  
RT 1 MOSCOW, IOWA 52760

SCALE 1:6 DATE 12MAR10 DRAWN BY .

HYD CONN DIAGRAM

TWISTER

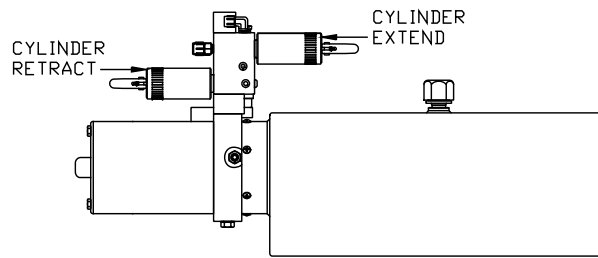
DRAWING NUMBER  
MP70245 A/B



AP46299 HOSE KIT SADDLE RACK

NOTE: HOSES (A) AND (B) ARE INCLUDED WITH THE SADDLE RACK ASSEMBLY.

- (A) AP24637 HOSE ASSY HWH02HP x 66" ROD END - ALWAYS PRESSURIZED
- (B) AP24636 HOSE ASSY HWH02HP x 84" CAP END
- (C) AP7179 HOSE ASSY .25" x 440" ROD END - ALWAYS PRESSURIZED
- (D) AP6117 HOSE ASSY .25" x 432" CAP END



SIDE VIEW PUMP/MANIFOLD-AP45983

LOCATION AND ORIENTATION OF PUMP/MANIFOLD ASSEMBLY WILL DIFFER DEPENDING UPON O.E.M.

NOTE: INSTALLATION MUST CONFORM TO GOOD SHOP PRACTICES, SAE STANDARDS, RVIA STANDARDS, AND OTHER APPLICABLE STANDARDS.

MP70245 B/B  
05FEB13