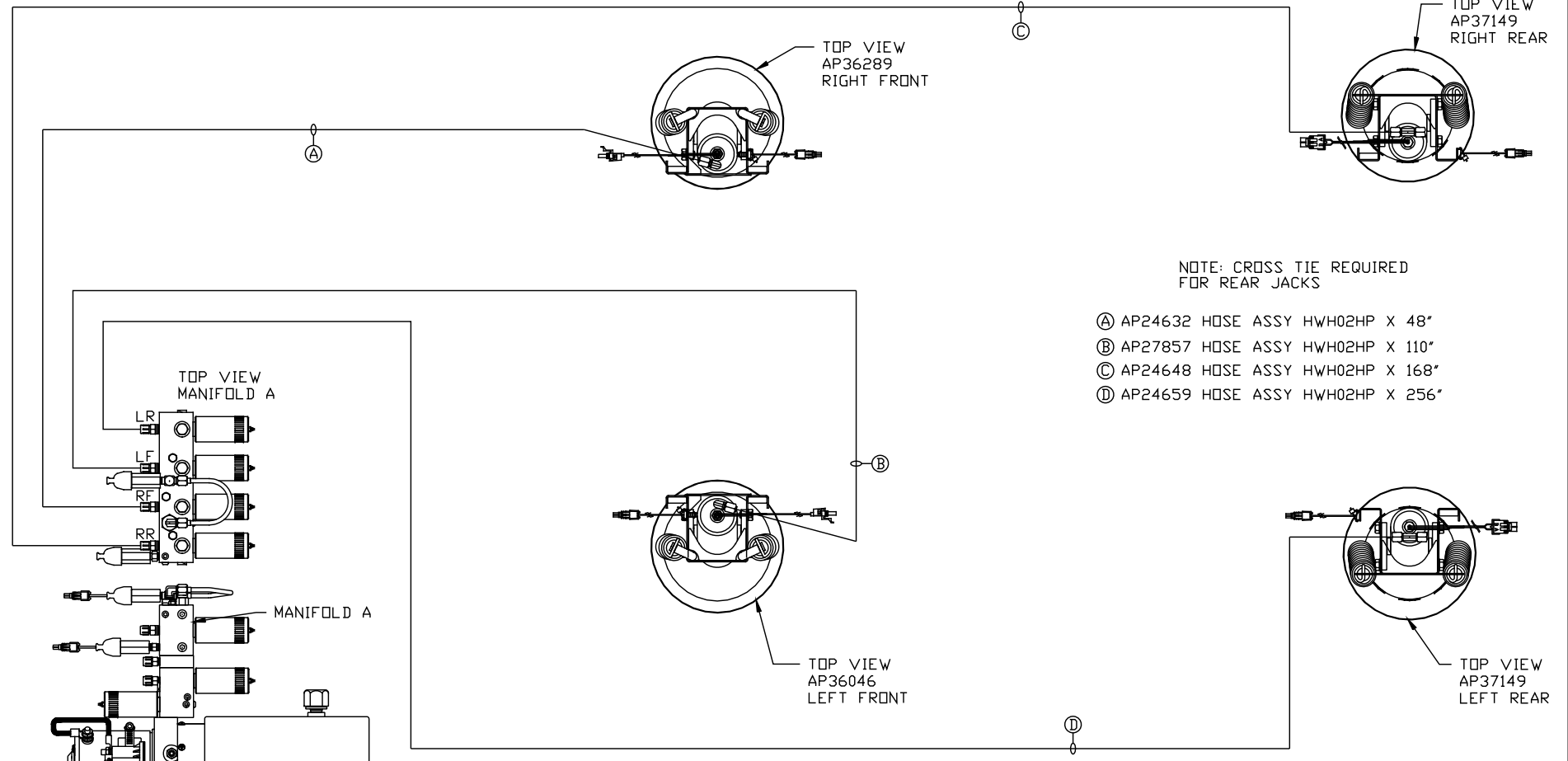
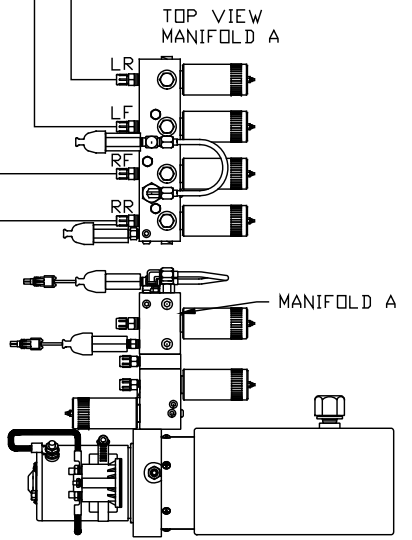


ORIENTATION  
 ← FRONT



NOTE: CROSS TIE REQUIRED FOR REAR JACKS

- Ⓐ AP24632 HOSE ASSY HWH02HP X 48"
- Ⓑ AP27857 HOSE ASSY HWH02HP X 110"
- Ⓒ AP24648 HOSE ASSY HWH02HP X 168"
- Ⓓ AP24659 HOSE ASSY HWH02HP X 256"



SIDE VIEW PUMP/MANIFOLD-AP38255  
 LOCATION AND ORIENTATION OF PUMP/MANIFOLD ASSEMBLY WILL DIFFER DEPENDING UPON O.E.M.

NOTE: INSTALLATION MUST CONFORM TO GOOD SHOP PRACTICES, SAE STANDARDS, RVIA STANDARDS, AND OTHER APPLICABLE STANDARDS.

LEVELING SYSTEM: AP46106

NO.	DATE	REVISION

THE INFORMATION DISCLOSED ON THIS DRAWING IS CONFIDENTIAL AND MUST NOT BE DISCLOSED OR USED IN ANY MANNER WHICH WILL BE DETRIMENTAL TO THE HWH CORPORATION

HWH			I-80 EXIT 267 SOUTH RT 1 MOSCOW, IOWA 52760		
SCALE 1:6	DATE 21MAY10	DRAWN BY .			
HYD CONN DIAGRAM					
COACH HOUSE				DRAWING NUMBER MP70250 A/C	

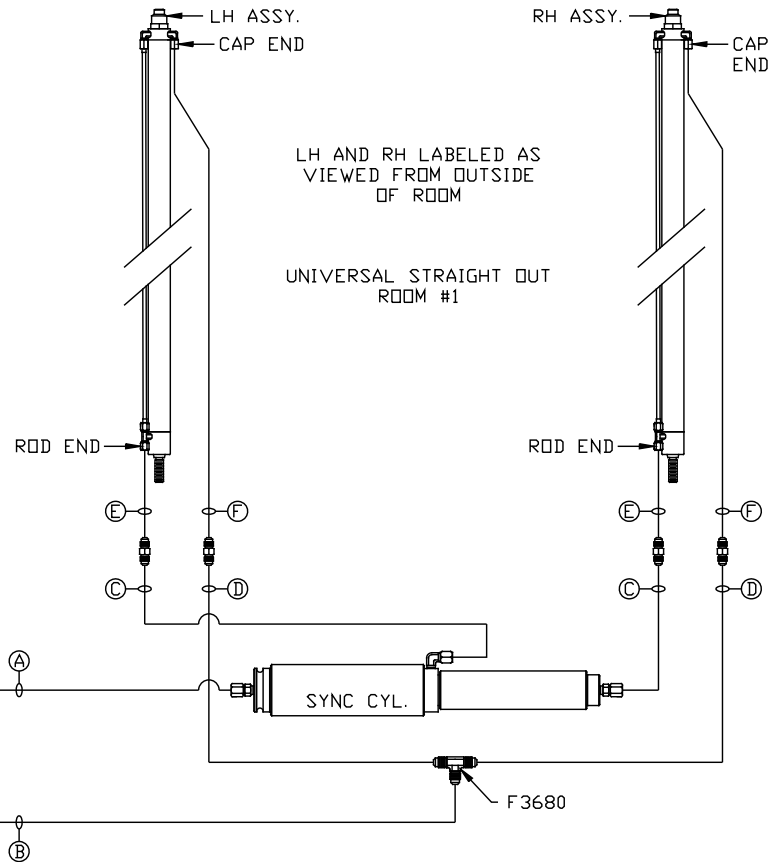
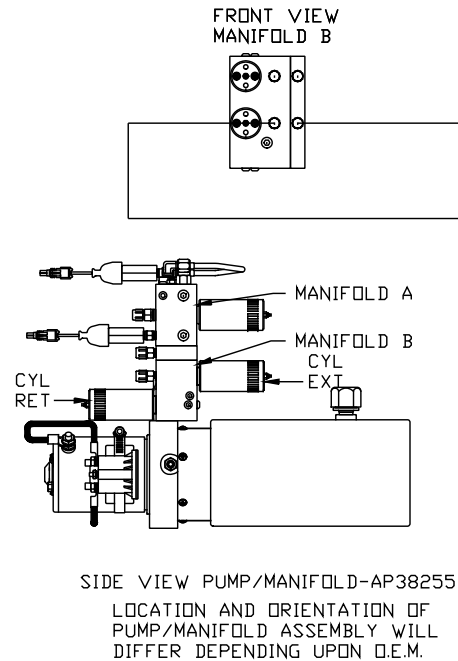
**ORIENTATION**

← FRONT

NOTE: HOSES (E) AND (F) ARE INCLUDED WITH THE ROOM EXTENSION MECHANISM

- (A) .25 ID HOSE  
ROD END - ALWAYS PRESSURIZED
- (B) .25 ID HOSE  
CAP END
- (C) .125 ID HP HOSE  
ROD END - ALWAYS PRESSURIZED  
HOSES MUST BE HIGH PRESSURE  
HOSES OF EQUAL LENGTH AND DIAMETER
- (D) .25 ID HOSE  
CAP END - HOSES MUST MAINTAIN  
EQUAL LENGTH AND DIAMETER

- (E) AP24632 HOSE ASSY HWH02HP x 48"  
ROD END - ALWAYS PRESSURIZED -  
MUST BE HIGH PRESSURE HOSES OF  
EQUAL LENGTH AND DIAMETER
- (F) AP24818 HOSE ASSY HWH02HP x 86"  
CAP END - MUST MAINTAIN EQUAL  
LENGTH AND DIAMETER



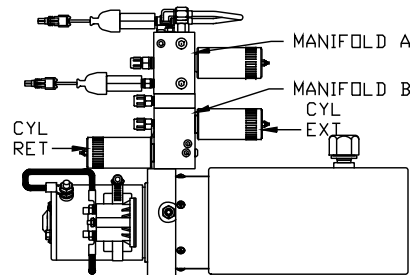
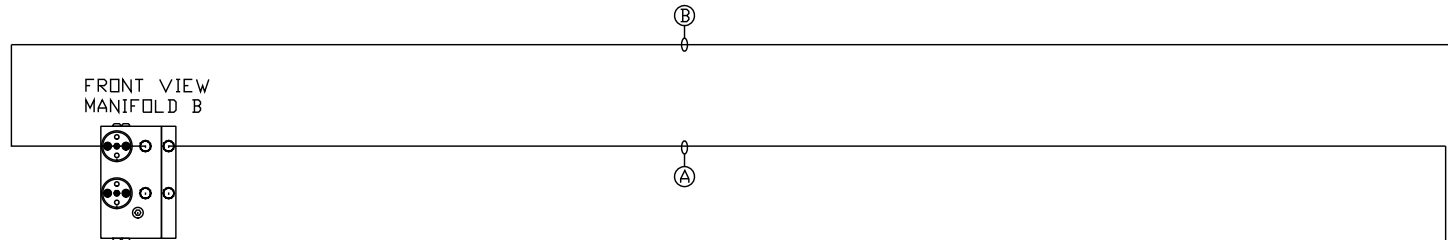
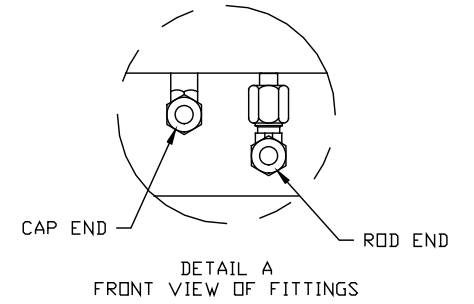
NOTE: INSTALLATION MUST CONFORM TO GOOD SHOP PRACTICES, SAE STANDARDS, RVIA STANDARDS, AND OTHER APPLICABLE STANDARDS.

MP70250 B/C  
21MAY10

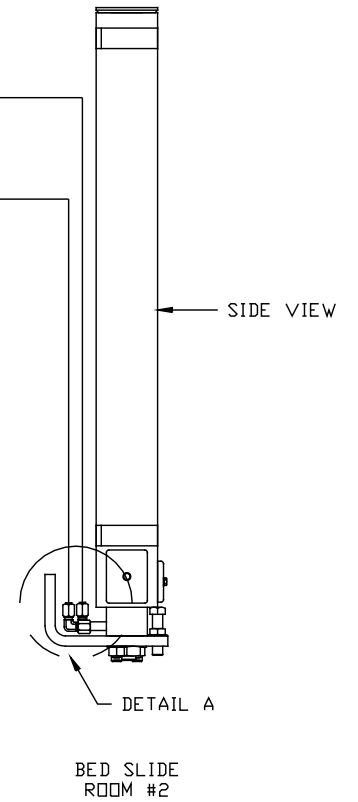
ORIENTATION

← FRONT

- Ⓐ .25 ID HOSE  
ROD END - ALWAYS PRESSURIZED
- Ⓑ .25 ID HOSE  
CAP END



SIDE VIEW PUMP/MANIFOLD-AP38255  
LOCATION AND ORIENTATION OF  
PUMP/MANIFOLD ASSEMBLY WILL  
DIFFER DEPENDING UPON O.E.M.



NOTE: INSTALLATION MUST CONFORM TO GOOD SHOP PRACTICES, SAE STANDARDS, RVIA STANDARDS, AND OTHER APPLICABLE STANDARDS.

MP70250 C/C  
21MAY10