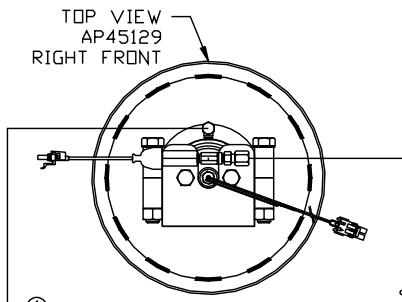


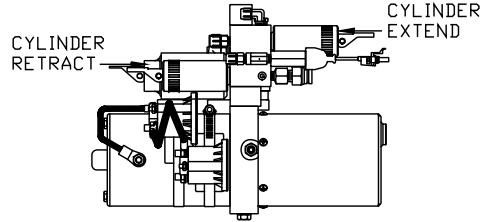
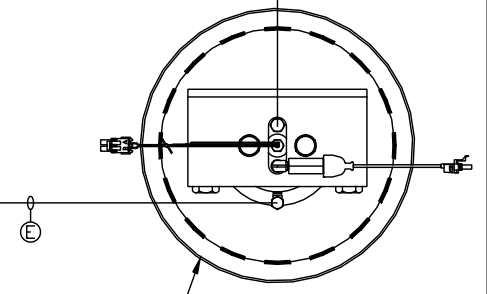
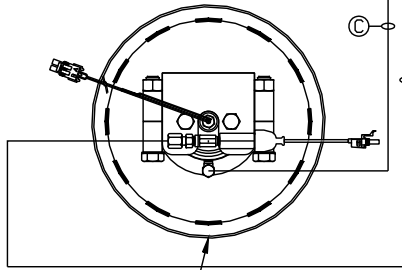
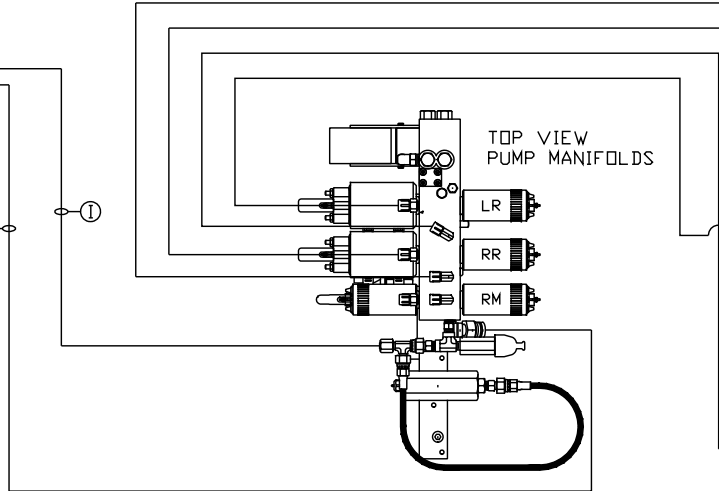
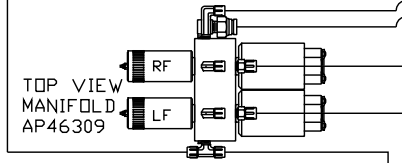
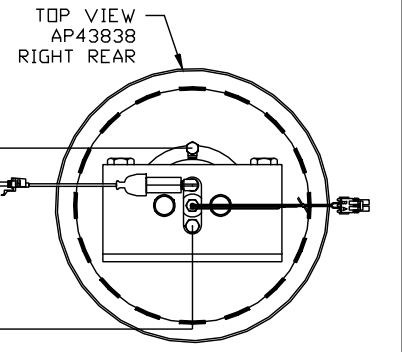
ORIENTATION

← FRONT



- (A) AP4159 HOSE ASSY .25" X 72"
ROD END RIGHT FRONT JACK
- (B) AP8382 HOSE ASSY .313" x 144"
CAP END RIGHT FRONT JACK
- (C) AP5352 HOSE ASSY .25" X 96"
ROD END LEFT FRONT JACK
- (D) AP8383 HOSE ASSY .313" X 96"
CAP END LEFT FRONT JACK
- (E) AP6115 HOSE ASSY .25" X 168"
ROD END LEFT REAR JACK

- (F) AP8382 HOSE ASSY .313" x 144"
CAP END LEFT REAR JACK
- (G) AP5352 HOSE ASSY .25" X 96"
ROD END RIGHT REAR JACK
- (H) AP8383 HOSE ASSY .313" X 96"
CAP END RIGHT REAR JACK
- (I) AP4313 HOSE ASSY .25" X 396"
PRESSURE
- (J) P13517 RETURN LINE .5" X 408"
RETURN



SIDE VIEW OF PRIMARY PUMP/MANIFOLD-AP46443
REST OF POWER CONTROL NOT SHOWN

NOTE: INSTALLATION MUST CONFORM TO GOOD SHOP PRACTICES, SAE STANDARDS, RVIA STANDARDS, AND OTHER APPLICABLE STANDARDS.

LEVELING SYSTEM: AP45992

NO.	DATE	REVISION
2	18MAY10	REVISED MANIFOLDS
1	23APR10	ADDED HOSES

THE INFORMATION DISCLOSED ON THIS DRAWING IS CONFIDENTIAL AND MUST NOT BE DISCLOSED OR USED IN ANY MANNER WHICH WILL BE DETRIMENTAL TO THE HWH CORPORATION

HWH			I-80 EXIT 267 SOUTH RT 1 MOSCOW, IOWA 52760		
SCALE 1:6	DATE 31MAR10	DRAWN BY .			
HYD CONN DIAGRAM					
L3 COMMUNICATIONS				DRAWING NUMBER MP70258 A/B	

