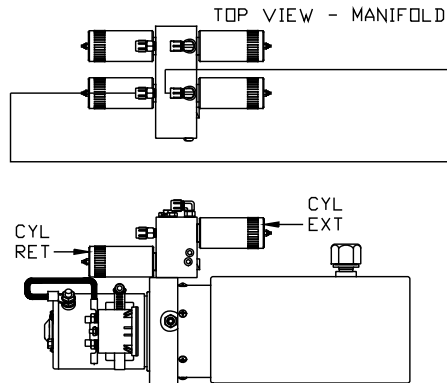
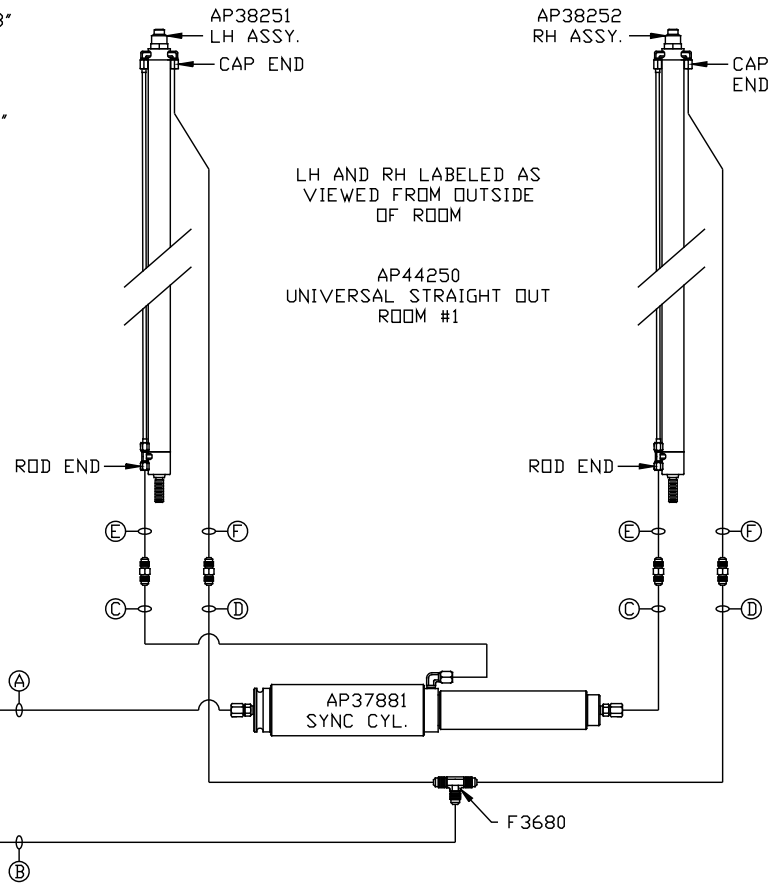


NOTE: HOSES (C) AND (F) ARE INCLUDED WITH THE ROOM EXTENSION MECHANISM

- (A) .25 ID HOSE
ROD END - ALWAYS PRESSURIZED
- (B) .25 ID HOSE
CAP END
- (C) .125 ID HP HOSE
ROD END - ALWAYS PRESSURIZED
HOSES MUST BE HIGH PRESSURE
HOSES OF EQUAL LENGTH AND DIAMETER
- (D) .25 ID HOSE
CAP END - HOSES MUST MAINTAIN
EQUAL LENGTH AND DIAMETER
- (E) AP24632 HOSE ASSY HWH02HP x 48"
ROD END - ALWAYS PRESSURIZED -
MUST BE HIGH PRESSURE HOSES OF
EQUAL LENGTH AND DIAMETER
- (F) AP24818 HOSE ASSY HWH02HP x 86"
CAP END - MUST MAINTAIN EQUAL
LENGTH AND DIAMETER



SIDE VIEW PUMP/MANIFOLD-AP39195
LOCATION AND ORIENTATION OF
PUMP/MANIFOLD ASSEMBLY WILL
DIFFER DEPENDING UPON O.E.M.



NOTE: INSTALLATION MUST CONFORM TO GOOD SHOP PRACTICES, SAE STANDARDS, RVIA STANDARDS, AND OTHER APPLICABLE STANDARDS.

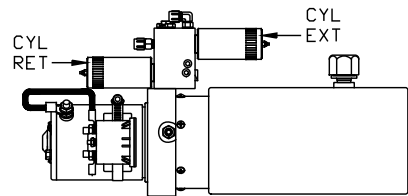
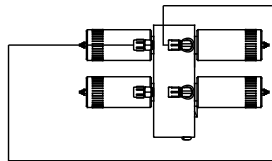
CONTROL PACKAGE: AP45422

		HWH		I-80 EXIT 267 SOUTH RT 1 MOSCOW, IOWA 52760	
		SCALE 1:6	DATE 07JUL10	DRAWN BY .	
		HYD CONN DIAGRAM			
NO.	DATE	REVISION			
		THE INFORMATION DISCLOSED ON THIS DRAWING IS CONFIDENTIAL AND MUST NOT BE DISCLOSED OR USED IN ANY MANNER WHICH WILL BE DETRIMENTAL TO THE HWH CORPORATION		OSHKOSH	
				DRAWING NUMBER MP70300 A/B	

NOTE: HOSES (C) AND (F) ARE INCLUDED WITH THE ROOM EXTENSION MECHANISM

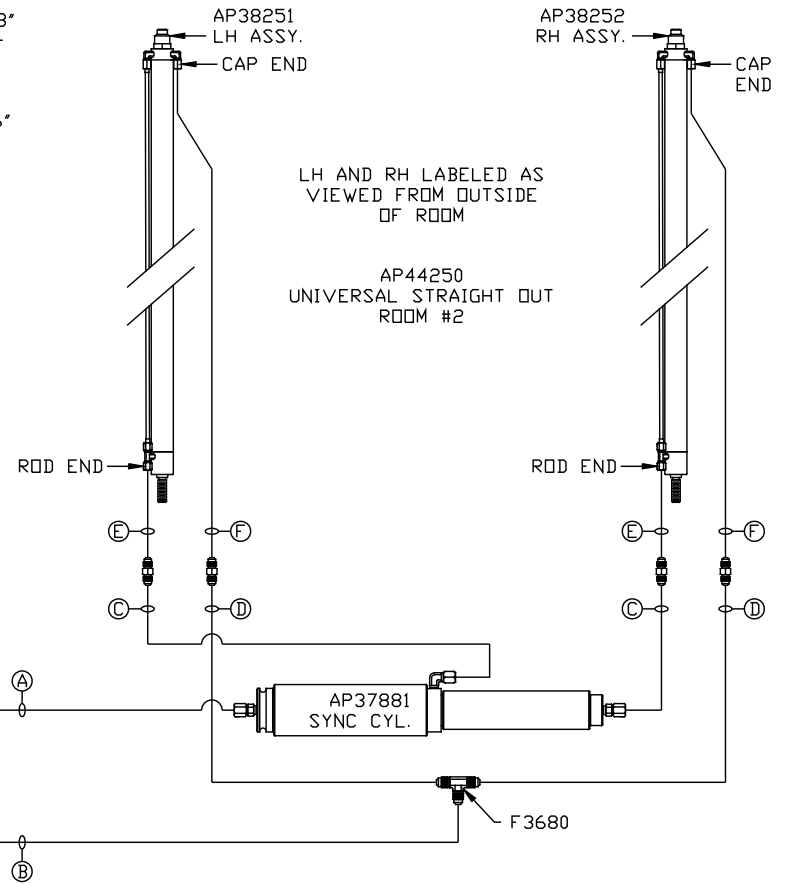
- (A) .25 ID HOSE
ROD END - ALWAYS PRESSURIZED
- (B) .25 ID HOSE
CAP END
- (C) .125 ID HP HOSE
ROD END - ALWAYS PRESSURIZED
HOSES MUST BE HIGH PRESSURE
HOSES OF EQUAL LENGTH AND DIAMETER
- (D) .25 ID HOSE
CAP END - HOSES MUST MAINTAIN
EQUAL LENGTH AND DIAMETER
- (E) AP24632 HOSE ASSY HWH02HP x 48"
ROD END - ALWAYS PRESSURIZED -
MUST BE HIGH PRESSURE HOSES OF
EQUAL LENGTH AND DIAMETER
- (F) AP24818 HOSE ASSY HWH02HP x 86"
CAP END - MUST MAINTAIN EQUAL
LENGTH AND DIAMETER

TOP VIEW - MANIFOLD



SIDE VIEW PUMP/MANIFOLD-AP39195

LOCATION AND ORIENTATION OF PUMP/MANIFOLD ASSEMBLY WILL DIFFER DEPENDING UPON O.E.M.



NOTE: INSTALLATION MUST CONFORM TO GOOD SHOP PRACTICES, SAE STANDARDS, RVIA STANDARDS, AND OTHER APPLICABLE STANDARDS.

MP70300 B/B
07 JUL 10