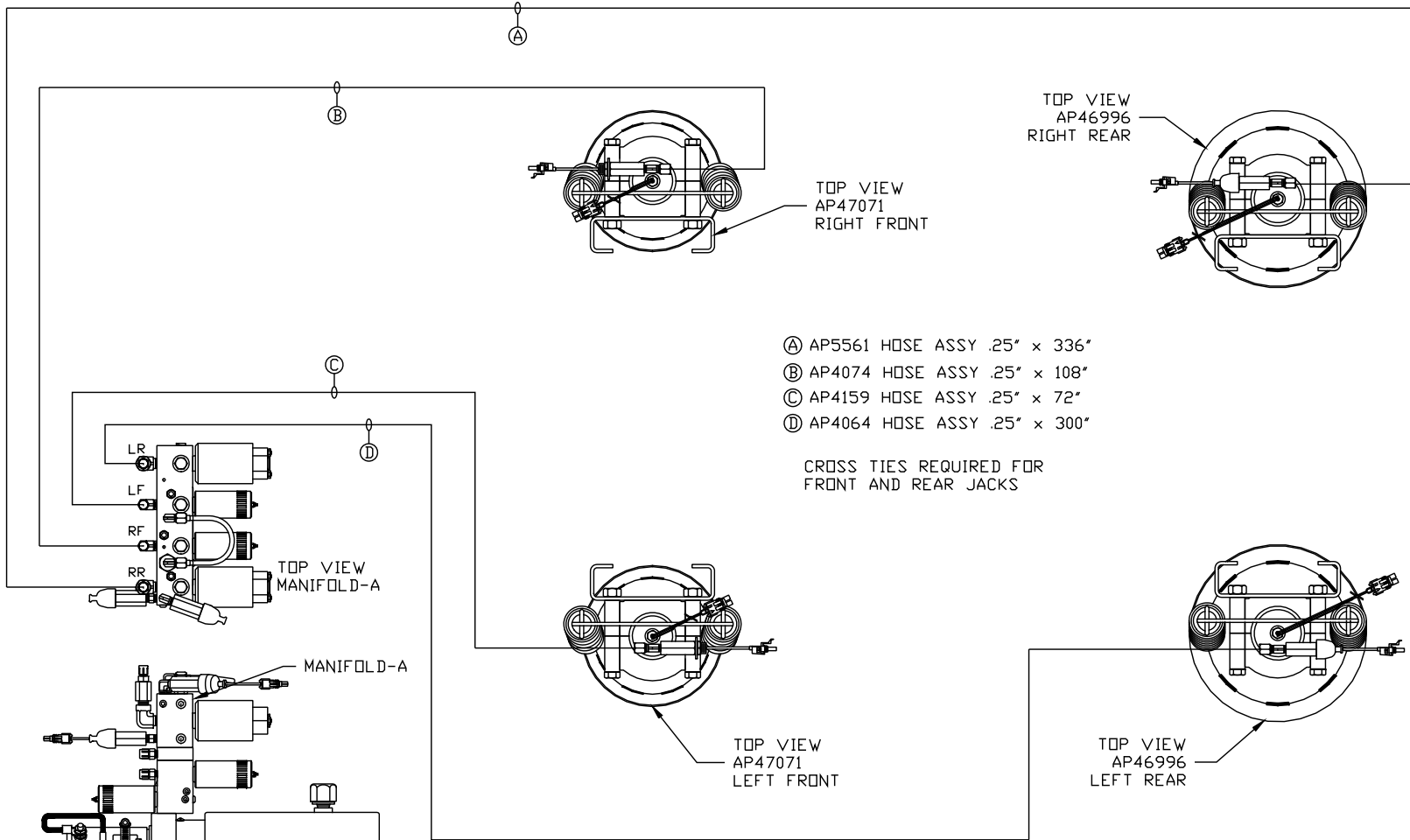


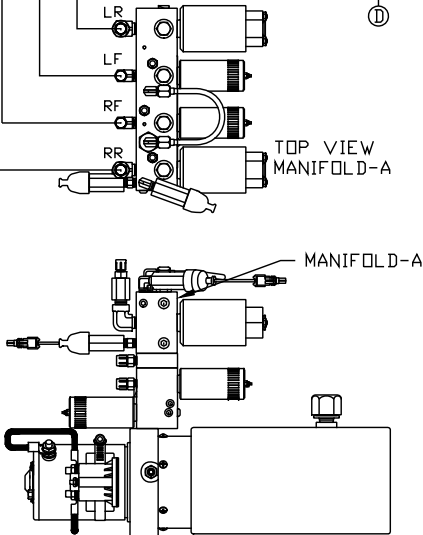
ORIENTATION

← FRONT



- Ⓐ AP5561 HOSE ASSY .25" x 336"
- Ⓑ AP4074 HOSE ASSY .25" x 108"
- Ⓒ AP4159 HOSE ASSY .25" x 72"
- Ⓓ AP4064 HOSE ASSY .25" x 300"

CROSS TIES REQUIRED FOR FRONT AND REAR JACKS



SIDE VIEW PUMP/MANIFOLD-AP46911

LOCATION AND ORIENTATION OF PUMP/MANIFOLD ASSEMBLY WILL DIFFER DEPENDING UPON O.E.M.

NOTE: INSTALLATION MUST CONFORM TO GOOD SHOP PRACTICES, SAE STANDARDS, RVIA STANDARDS, AND OTHER APPLICABLE STANDARDS.

LEVELING SYSTEM: AP46907

NO.	DATE	REVISION

THE INFORMATION DISCLOSED ON THIS DRAWING IS CONFIDENTIAL AND MUST NOT BE DISCLOSED OR USED IN ANY MANNER WHICH WILL BE DETRIMENTAL TO THE HWH CORPORATION

HWH I-80 EXIT 267 SOUTH
RT 1 MOSCOW, IOWA 52760

SCALE 1:6 DATE 13JAN11 DRAWN BY .

HYD CONN DIAGRAM

TIFFIN

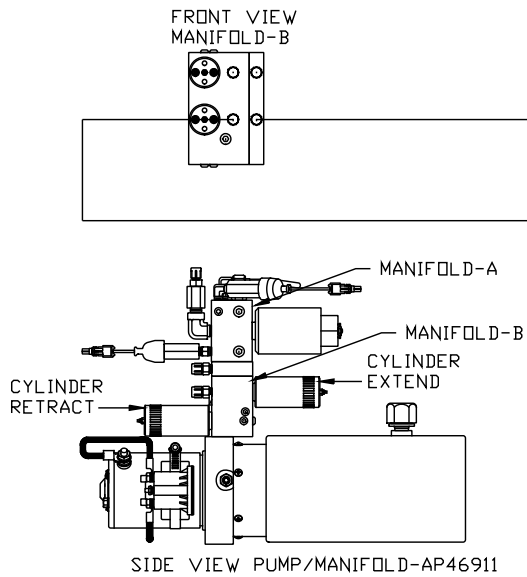
DRAWING NUMBER
MP70339 A/C

ORIENTATION
 ← FRONT

NOTE: HOSES (E) AND (F) ARE INCLUDED WITH THE ROOM EXTENSION MECHANISM.

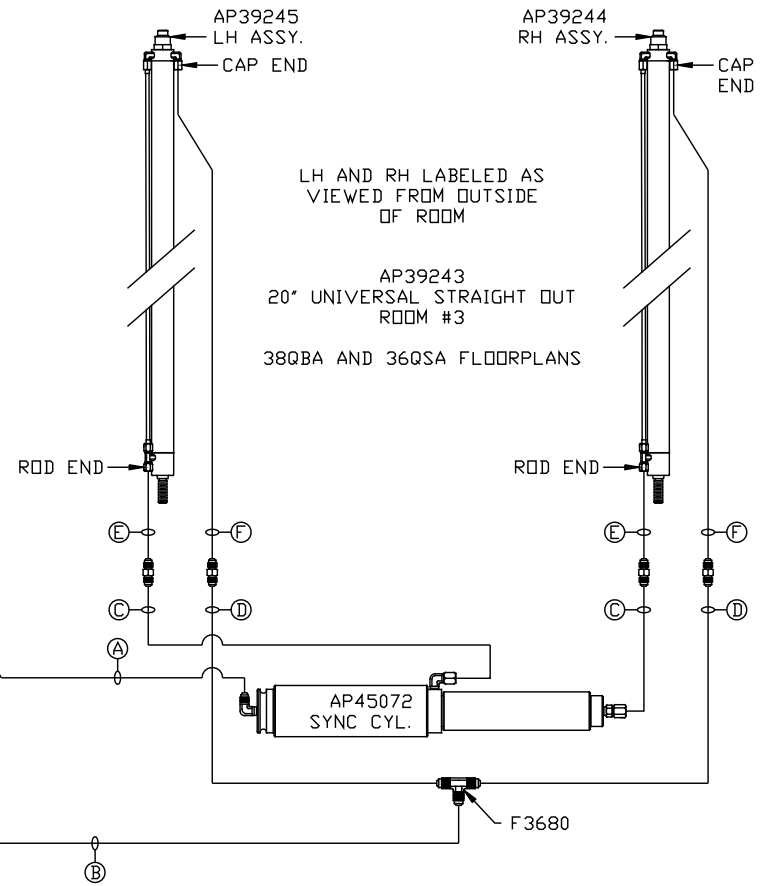
- (A) AP10256 HOSE ASSY .25" x 366" (36QSA)
 AP4163 HOSE ASSY .25" x 360" (38QBA)
 ROD END - ALWAYS PRESSURIZED
- (B) AP2464 HOSE ASSY .25" x 324" (36QSA)
 AP2465 HOSE ASSY .25" x 348" (38QBA)
 CAP END
- (C) AP24640 HOSE ASSY HWH02HP x 108" (36QSA)
 AP24652 HOSE ASSY HWH02HP x 192" (38QBA)
 ROD END - ALWAYS PRESSURIZED - MUST BE HIGH PRESSURE HOSES OF EQUAL LENGTH AND DIAMETER
- (D) AP4074 HOSE ASSY .25" x 108" (36QSA)
 AP27602 HOSE ASSY .25" x 186" (38QBA)
 CAP END - MUST MAINTAIN EQUAL LENGTH AND DIAMETER

- (E) AP24637 HOSE ASSY HWH02HP x 66"
 CAP END - MUST MAINTAIN EQUAL LENGTH AND DIAMETER
- (F) AP24631 HOSE ASSY HWH02HP x 42"
 ROD END - ALWAYS PRESSURIZED - MUST BE HIGH PRESSURE HOSES OF EQUAL LENGTH AND DIAMETER



LOCATION AND ORIENTATION OF PUMP/MANIFOLD ASSEMBLY WILL DIFFER DEPENDING UPON O.E.M.

NOTE: INSTALLATION MUST CONFORM TO GOOD SHOP PRACTICES, SAE STANDARDS, RVIA STANDARDS, AND OTHER APPLICABLE STANDARDS.

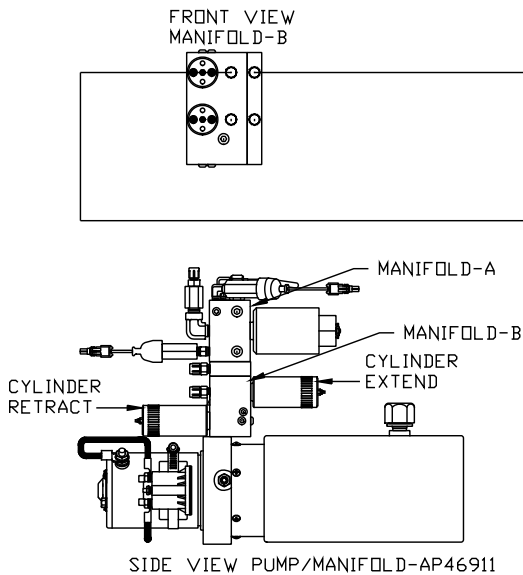


MP70339 B/C
 13JAN11

ORIENTATION
 ← FRONT

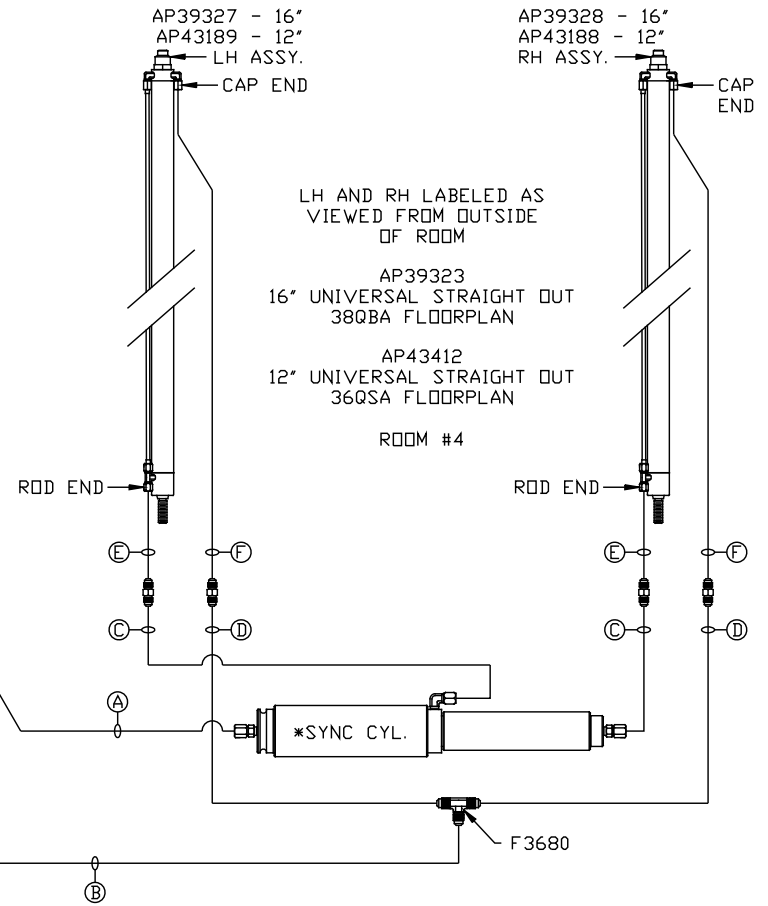
NOTE: HOSES (E) AND (F) ARE INCLUDED WITH THE ROOM EXTENSION MECHANISM.

- (A) AP5352 HOSE ASSY .25" x 96" (36QSA)
 AP5352 HOSE ASSY .25" x 96" (38QBA)
 ROD END - ALWAYS PRESSURIZED
- (B) AP4159 HOSE ASSY .25" x 72" (36QSA)
 AP4159 HOSE ASSY .25" x 72" (38QBA)
 CAP END
- (C) AP24651 HOSE ASSY HWH02HP x 180" (36QSA)
 AP24653 HOSE ASSY HWH02HP x 204" (38QBA)
 ROD END - ALWAYS PRESSURIZED - MUST BE HIGH PRESSURE HOSES OF EQUAL LENGTH AND DIAMETER
- (D) AP5965 HOSE ASSY .25" x 180" (36QSA)
 AP6601 HOSE ASSY .25" x 198" (38QBA)
 CAP END - MUST MAINTAIN EQUAL LENGTH AND DIAMETER
- (E) AP24637 HOSE ASSY HWH02HP x 66"
 CAP END - MUST MAINTAIN EQUAL LENGTH AND DIAMETER
- (F) AP24631 HOSE ASSY HWH02HP x 42"
 ROD END - ALWAYS PRESSURIZED - MUST BE HIGH PRESSURE HOSES OF EQUAL LENGTH AND DIAMETER



LOCATION AND ORIENTATION OF PUMP/MANIFOLD ASSEMBLY WILL DIFFER DEPENDING UPON O.E.M.

NOTE: INSTALLATION MUST CONFORM TO GOOD SHOP PRACTICES, SAE STANDARDS, RVIA STANDARDS, AND OTHER APPLICABLE STANDARDS.



*: AP39961 IS USED WITH AP39323 (16"), AP44151 IS USED WITH AP43412 (12").