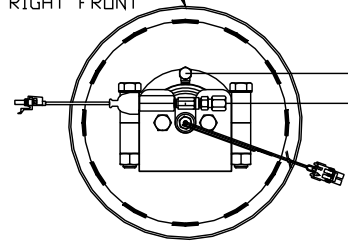


ORIENTATION

← FRONT

TOP VIEW
AP45129
RIGHT FRONT



Ⓐ AP4729 HOSE ASSY .25" X 280"
ROD END RIGHT JACK

Ⓑ AP43717 HOSE ASSY .25/05 X 240"
CAP END RIGHT FRONT JACK

Ⓒ AP4310 HOSE ASSY .25" X 204"
ROD END LEFT FRONT JACK

Ⓓ AP43436 HOSE ASSY .25/05 X 180"
CAP END LEFT FRONT JACK

Ⓔ AP2464 HOSE ASSY .25" X 324"
ROD END LEFT REAR JACK

Ⓕ AP45371 HOSE ASSY .25/05 X 300"
CAP END LEFT REAR JACK

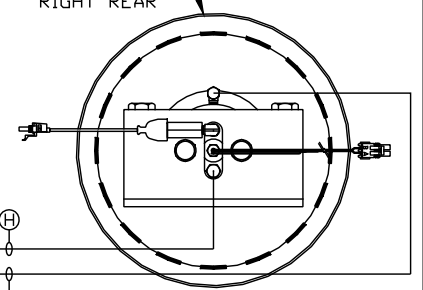
Ⓖ AP4163 HOSE ASSY .25" X 360"
ROD END RIGHT REAR JACK

Ⓗ AP46312 HOSE ASSY .25/05 X 372"
CAP END RIGHT REAR JACK

Ⓛ AP4059 HOSE ASSY .25" X 36"
PRESSURE

Ⓜ P5353 RETURN LINE .5" X 36"
RETURN

TOP VIEW
AP43838
RIGHT REAR

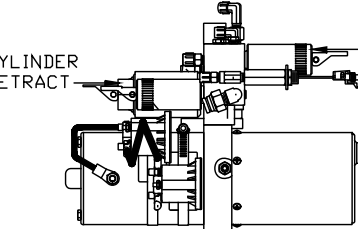


TOP VIEW
PUMP
MANIFOLD

LR
RR
LF
RF

TO REMOTE
MANIFOLD

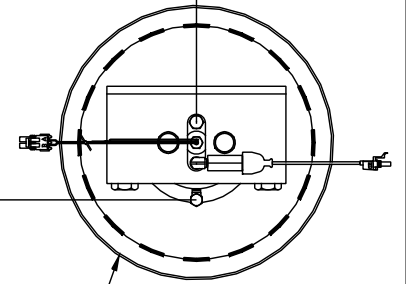
CYLINDER
RETRACT
CYLINDER
EXTEND



SIDE VIEW PUMP/MANIFOLD-AP48090

LOCATION AND ORIENTATION OF
PUMP/MANIFOLD ASSEMBLY WILL
DIFFER DEPENDING UPON O.E.M.

TOP VIEW
AP43838
LEFT REAR



TOP VIEW
AP45129
LEFT FRONT

NO.	DATE	REVISION

HWH I-80 EXIT 267 SOUTH
RT 1 MOSCOW, IOWA 52760

SCALE 1:6 DATE 08FEB11 DRAWN BY .

HYD CONN DIAGRAM

NOTE: INSTALLATION MUST CONFORM TO GOOD SHOP PRACTICES, SAE
STANDARDS, RVIA STANDARDS, AND OTHER APPLICABLE STANDARDS.

LEVELING SYSTEM: AP47895

THE INFORMATION DISCLOSED ON THIS DRAWING IS CONFIDENTIAL AND MUST NOT BE DISCLOSED OR USED IN ANY MANNER WHICH WILL BE DETRIMENTAL TO THE HWH CORPORATION

EVI

DRAWING NUMBER
MP70371 A/E

ORIENTATION

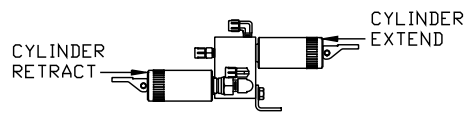
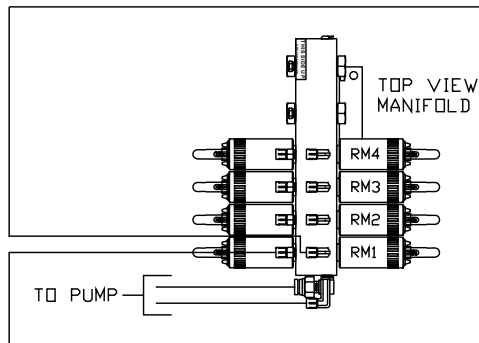
← FRONT

*: PART OF THE ROOM
EXTENSION MECHANISM.

- Ⓐ .25" ID HOSE
ROD END - ALWAYS PRESSURIZED
- Ⓑ .25" ID HOSE
CAP END
- Ⓒ .125" ID HOSE
ROD END - ALWAYS PRESSURIZED - MUST
BE HIGH PRESSURE HOSES OF EQUAL
LENGTH AND DIAMETER
- Ⓓ .125" ID HOSE
CAP END - MUST MAINTAIN EQUAL LENGTH
AND DIAMETER

NOTE: HOSES Ⓔ AND Ⓕ ARE INCLUDED
WITH THE ROOM EXTENSION MECHANISM.

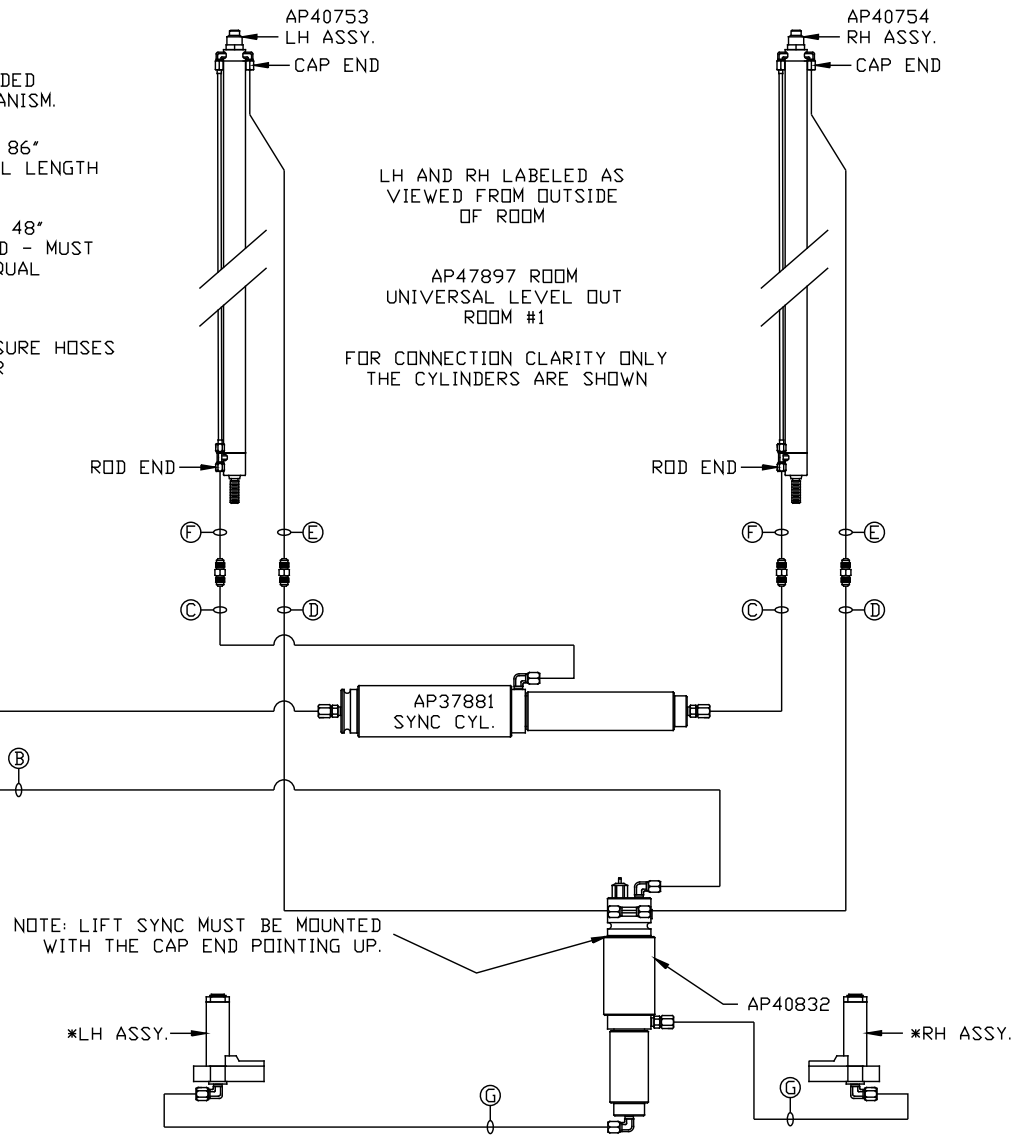
- Ⓔ AP24818 HOSE ASSY HWH02HP x 86"
CAP END - MUST MAINTAIN EQUAL LENGTH
AND DIAMETER
- Ⓕ AP24632 HOSE ASSY HWH02HP x 48"
ROD END - ALWAYS PRESSURIZED - MUST
BE HIGH PRESSURE HOSES OF EQUAL
LENGTH AND DIAMETER
- Ⓖ .125" ID HOSE
CAP END - MUST BE HIGH PRESSURE HOSES
OF EQUAL LENGTH AND DIAMETER



SIDE VIEW OF MANIFOLD-AP46854

LOCATION AND ORIENTATION OF
PUMP/MANIFOLD ASSEMBLY WILL
DIFFER DEPENDING UPON O.E.M.

NOTE: INSTALLATION MUST CONFORM TO GOOD SHOP PRACTICES, SAE
STANDARDS, RVIA STANDARDS, AND OTHER APPLICABLE STANDARDS.



MP70371 B/E
08FEB11

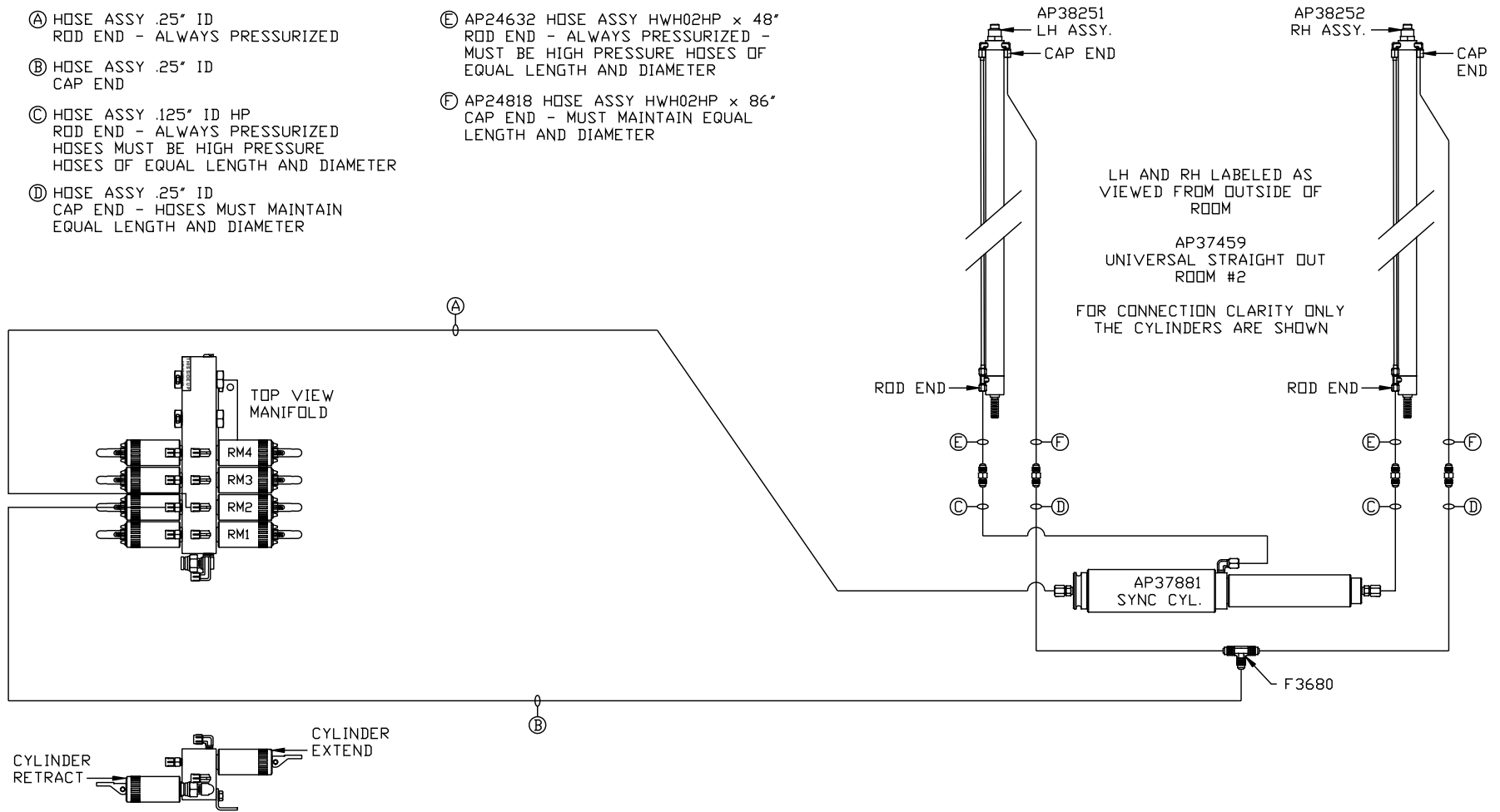
ORIENTATION

← FRONT

NOTE: HOSES (E) AND (F) ARE INCLUDED WITH THE ROOM EXTENSION MECHANISM

- (A) HOSE ASSY .25" ID
ROD END - ALWAYS PRESSURIZED
- (B) HOSE ASSY .25" ID
CAP END
- (C) HOSE ASSY .125" ID HP
ROD END - ALWAYS PRESSURIZED
HOSES MUST BE HIGH PRESSURE
HOSES OF EQUAL LENGTH AND DIAMETER
- (D) HOSE ASSY .25" ID
CAP END - HOSES MUST MAINTAIN
EQUAL LENGTH AND DIAMETER

- (E) AP24632 HOSE ASSY HWH02HP x 48"
ROD END - ALWAYS PRESSURIZED -
MUST BE HIGH PRESSURE HOSES OF
EQUAL LENGTH AND DIAMETER
- (F) AP24818 HOSE ASSY HWH02HP x 86"
CAP END - MUST MAINTAIN EQUAL
LENGTH AND DIAMETER



SIDE VIEW OF MANIFOLD-AP46854

LOCATION AND ORIENTATION OF
PUMP/MANIFOLD ASSEMBLY WILL
DIFFER DEPENDING UPON O.E.M.

NOTE: INSTALLATION MUST CONFORM TO GOOD SHOP PRACTICES, SAE STANDARDS, RVIA STANDARDS, AND OTHER APPLICABLE STANDARDS.

MP70371 C/E
08FEB11

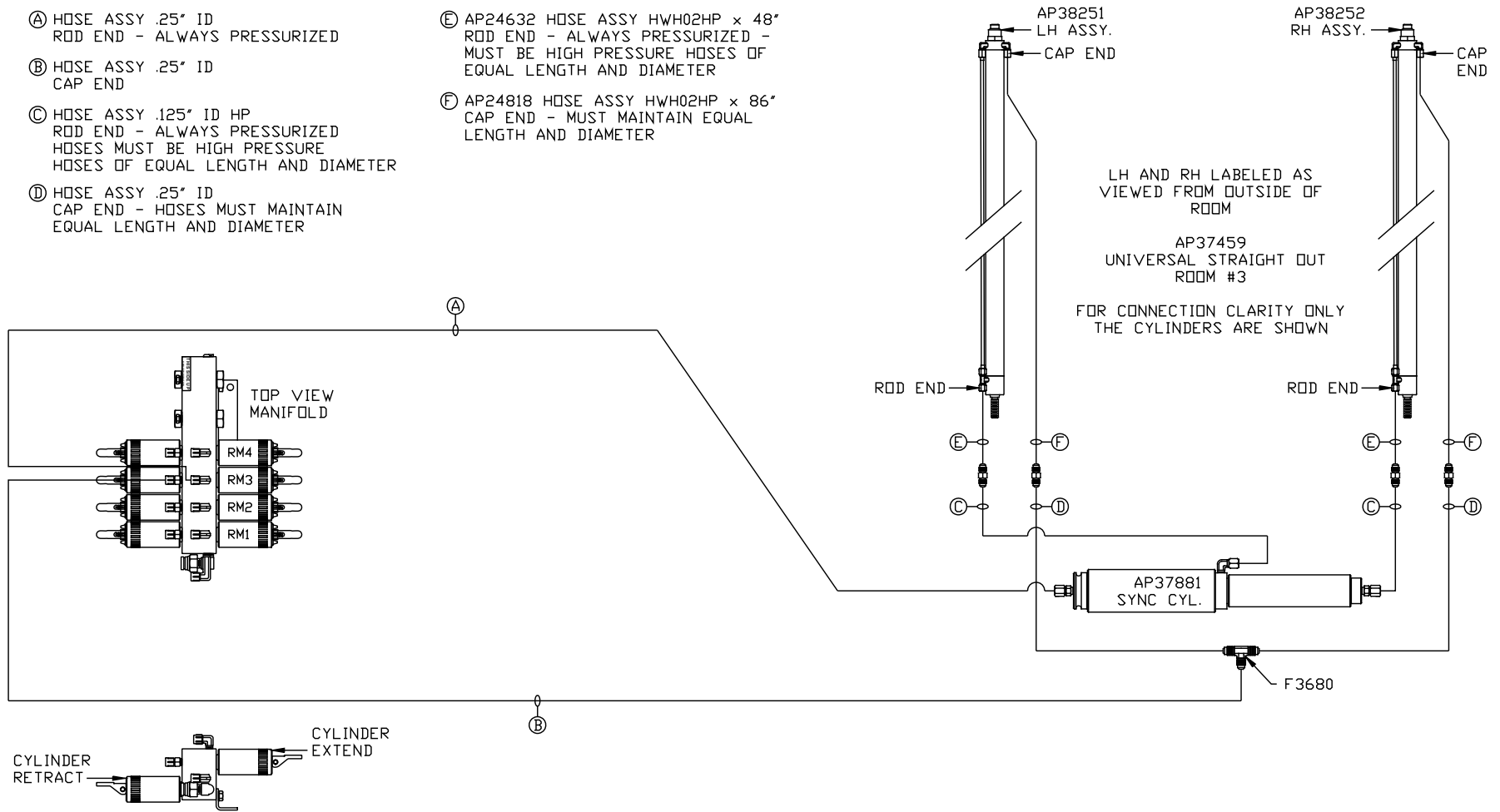
ORIENTATION

← FRONT

NOTE: HOSES (E) AND (F) ARE INCLUDED WITH THE ROOM EXTENSION MECHANISM

- (A) HOSE ASSY .25" ID
ROD END - ALWAYS PRESSURIZED
- (B) HOSE ASSY .25" ID
CAP END
- (C) HOSE ASSY .125" ID HP
ROD END - ALWAYS PRESSURIZED
HOSES MUST BE HIGH PRESSURE
HOSES OF EQUAL LENGTH AND DIAMETER
- (D) HOSE ASSY .25" ID
CAP END - HOSES MUST MAINTAIN
EQUAL LENGTH AND DIAMETER

- (E) AP24632 HOSE ASSY HWH02HP x 48"
ROD END - ALWAYS PRESSURIZED -
MUST BE HIGH PRESSURE HOSES OF
EQUAL LENGTH AND DIAMETER
- (F) AP24818 HOSE ASSY HWH02HP x 86"
CAP END - MUST MAINTAIN EQUAL
LENGTH AND DIAMETER



SIDE VIEW OF MANIFOLD-AP46854

LOCATION AND ORIENTATION OF
PUMP/MANIFOLD ASSEMBLY WILL
DIFFER DEPENDING UPON O.E.M.

NOTE: INSTALLATION MUST CONFORM TO GOOD SHOP PRACTICES, SAE
STANDARDS, RVIA STANDARDS, AND OTHER APPLICABLE STANDARDS.

MP70371 D/E
08FEB11

ORIENTATION

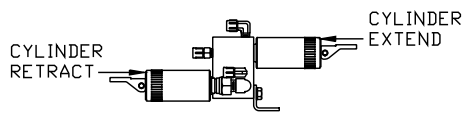
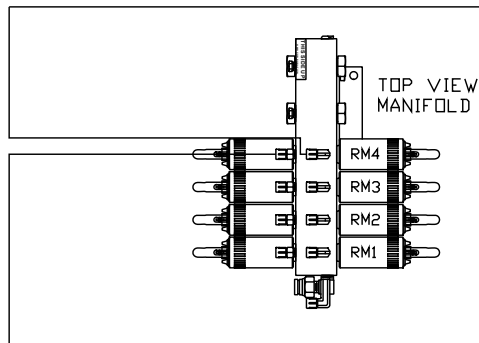
← FRONT

*: PART OF THE ROOM
EXTENSION MECHANISM.

- Ⓐ .25" ID HOSE
ROD END - ALWAYS PRESSURIZED
- Ⓑ .25" ID HOSE
CAP END
- Ⓒ .125" ID HOSE
ROD END - ALWAYS PRESSURIZED - MUST
BE HIGH PRESSURE HOSES OF EQUAL
LENGTH AND DIAMETER
- Ⓓ .125" ID HOSE
CAP END - MUST MAINTAIN EQUAL LENGTH
AND DIAMETER

NOTE: HOSES Ⓔ AND Ⓕ ARE INCLUDED
WITH THE ROOM EXTENSION MECHANISM.

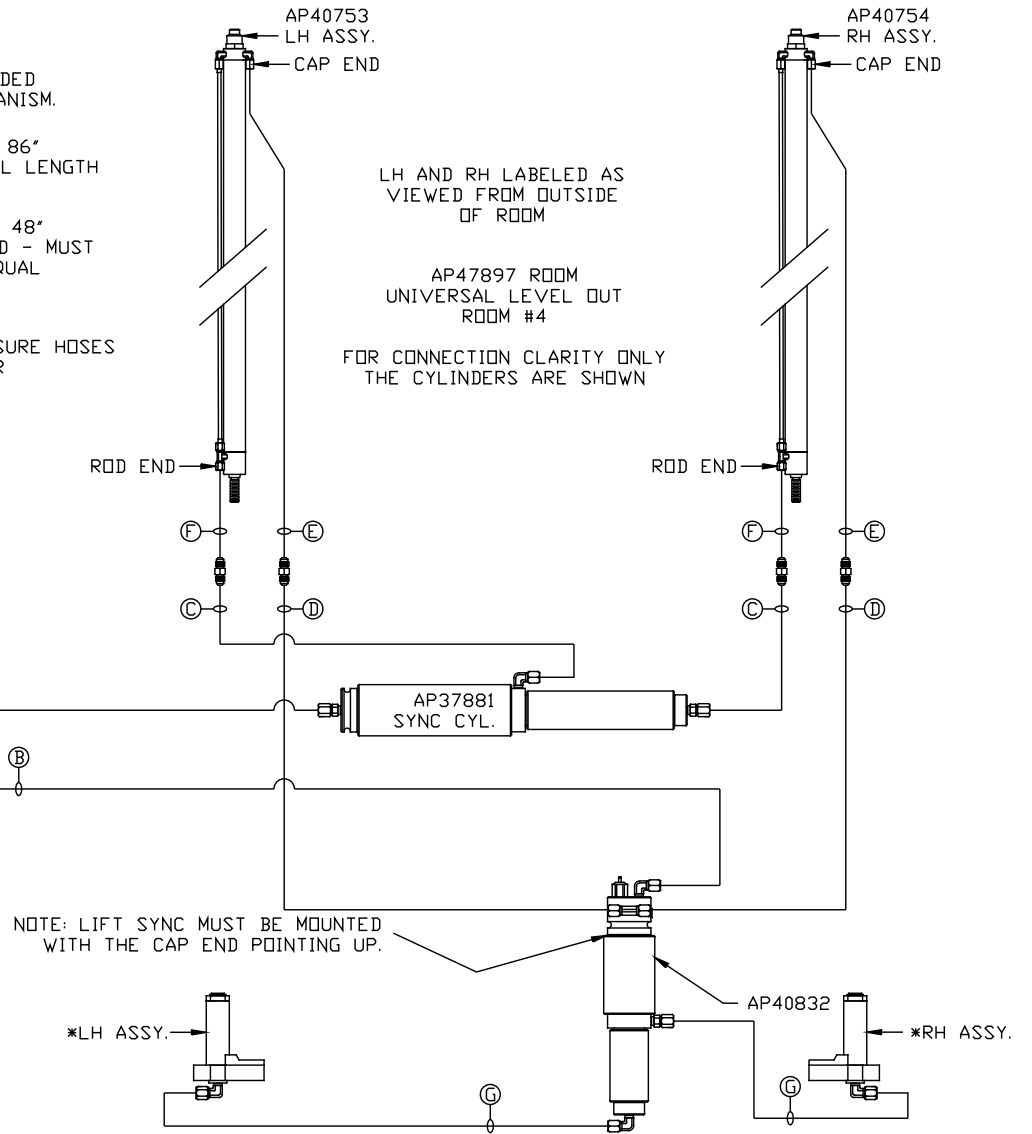
- Ⓔ AP24818 HOSE ASSY HWH02HP x 86"
CAP END - MUST MAINTAIN EQUAL LENGTH
AND DIAMETER
- Ⓕ AP24632 HOSE ASSY HWH02HP x 48"
ROD END - ALWAYS PRESSURIZED - MUST
BE HIGH PRESSURE HOSES OF EQUAL
LENGTH AND DIAMETER
- Ⓖ .125" ID HOSE
CAP END - MUST BE HIGH PRESSURE HOSES
OF EQUAL LENGTH AND DIAMETER



SIDE VIEW OF MANIFOLD-AP46854

LOCATION AND ORIENTATION OF
PUMP/MANIFOLD ASSEMBLY WILL
DIFFER DEPENDING UPON O.E.M.

NOTE: INSTALLATION MUST CONFORM TO GOOD SHOP PRACTICES, SAE
STANDARDS, RVIA STANDARDS, AND OTHER APPLICABLE STANDARDS.



MP70371 E/E
08FEB11