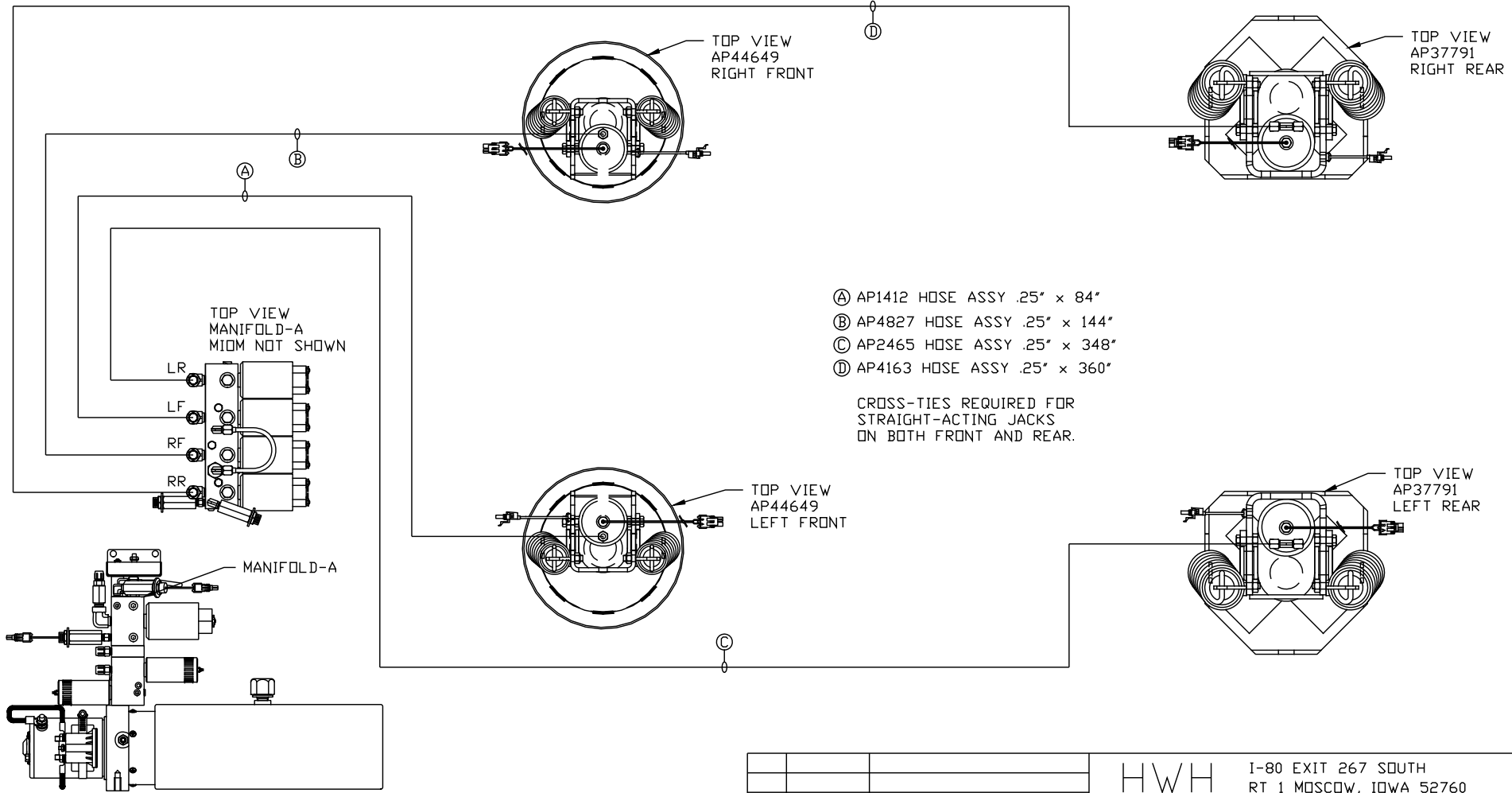


ORIENTATION  
← FRONT



- Ⓐ AP1412 HOSE ASSY .25" x 84"
- Ⓑ AP4827 HOSE ASSY .25" x 144"
- Ⓒ AP2465 HOSE ASSY .25" x 348"
- Ⓓ AP4163 HOSE ASSY .25" x 360"

CROSS-TIES REQUIRED FOR STRAIGHT-ACTING JACKS ON BOTH FRONT AND REAR.

LOCATION AND ORIENTATION OF PUMP/MANIFOLD ASSEMBLY WILL DIFFER DEPENDING UPON O.E.M.

NOTE: INSTALLATION MUST CONFORM TO GOOD SHOP PRACTICES, SAE STANDARDS, RVIA STANDARDS, AND OTHER APPLICABLE STANDARDS.

PUMP KIT: AP47983  
JACK KIT: AP47705

NO.	DATE	REVISION

THE INFORMATION DISCLOSED ON THIS DRAWING IS CONFIDENTIAL AND MUST NOT BE DISCLOSED OR USED IN ANY MANNER WHICH WILL BE DETRIMENTAL TO THE HWH CORPORATION

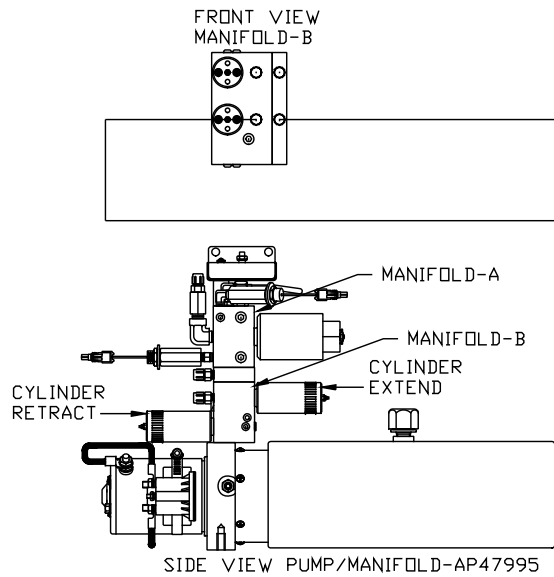
<b>HWH</b>		I-80 EXIT 267 SOUTH RT 1 MOSCOW, IOWA 52760	
SCALE 1:6	DATE 07FEB11	DRAWN BY .	
<b>HYD CONN DIAGRAM</b>			
<b>TIFFIN</b>		DRAWING NUMBER MP70378 A/C	

ORIENTATION

← FRONT

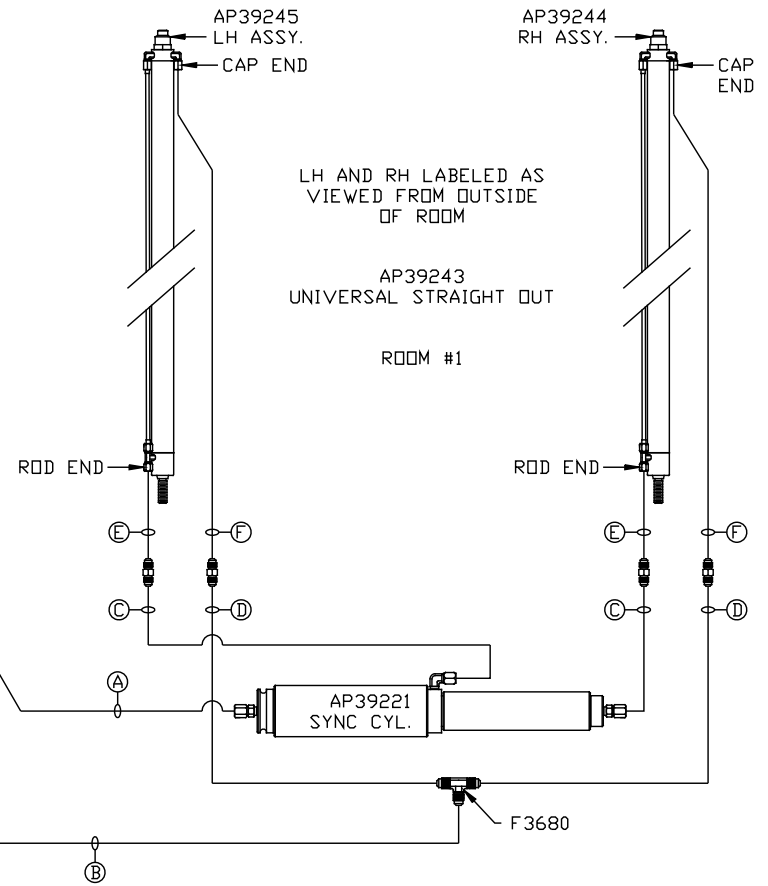
NOTE: HOSES (E) AND (F) ARE INCLUDED WITH THE ROOM EXTENSION MECHANISM.

- (A) AP5561 HOSE ASSY .25" x 336"  
ROD END - ALWAYS PRESSURIZED
- (B) AP4163 HOSE ASSY .25" x 360"  
CAP END
- (C) AP24656 HOSE ASSY HWH02HP x 228"  
ROD END - ALWAYS PRESSURIZED - MUST BE HIGH PRESSURE HOSES OF EQUAL LENGTH AND DIAMETER
- (D) AP4061 HOSE ASSY .25" x 216"  
CAP END - MUST MAINTAIN EQUAL LENGTH AND DIAMETER
- (E) AP24637 HOSE ASSY HWH02HP x 66"  
CAP END - MUST MAINTAIN EQUAL LENGTH AND DIAMETER
- (F) AP24631 HOSE ASSY HWH02HP x 42"  
ROD END - ALWAYS PRESSURIZED - MUST BE HIGH PRESSURE HOSES OF EQUAL LENGTH AND DIAMETER



LOCATION AND ORIENTATION OF PUMP/MANIFOLD ASSEMBLY WILL DIFFER DEPENDING UPON O.E.M.

NOTE: INSTALLATION MUST CONFORM TO GOOD SHOP PRACTICES, SAE STANDARDS, RVIA STANDARDS, AND OTHER APPLICABLE STANDARDS.

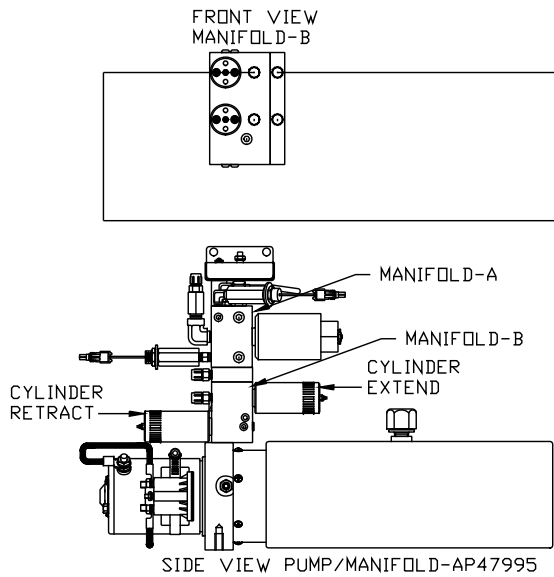


MP70378 B/C  
07FEB11

ORIENTATION  
 ← FRONT

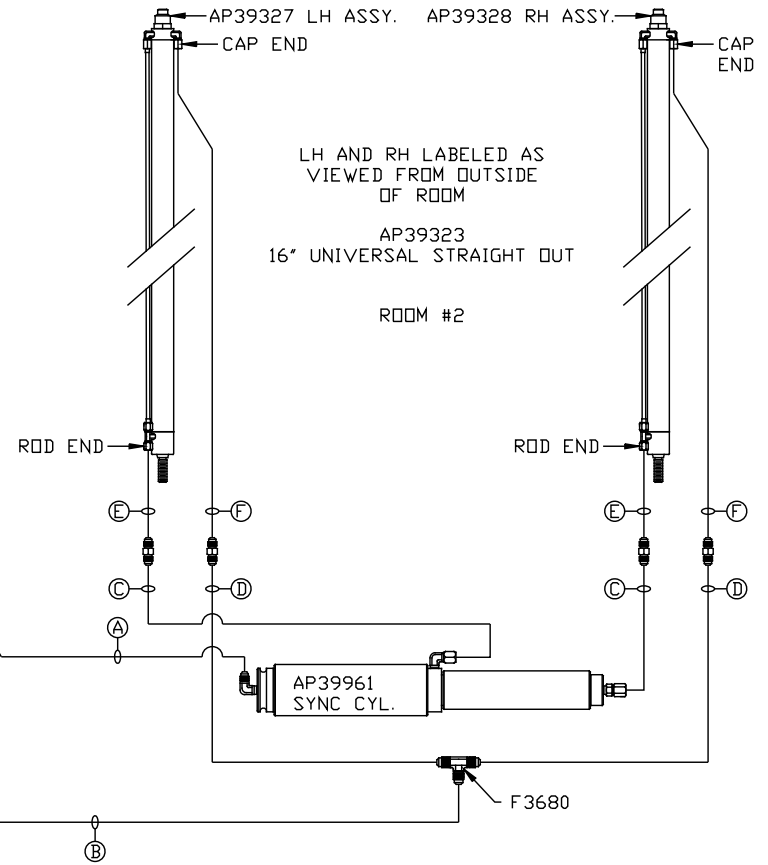
NOTE: HOSES (E) AND (F) ARE INCLUDED WITH THE ROOM EXTENSION MECHANISM.

- (A) AP4827 HOSE ASSY .25" x 144"  
ROD END - ALWAYS PRESSURIZED
- (B) AP6115 HOSE ASSY .25" x 168"  
CAP END
- (C) AP24646 HOSE ASSY HWH02HP x 156"  
ROD END - ALWAYS PRESSURIZED - MUST BE HIGH PRESSURE HOSES OF EQUAL LENGTH AND DIAMETER
- (D) AP4065 HOSE ASSY .25" x 156"  
CAP END - MUST MAINTAIN EQUAL LENGTH AND DIAMETER
- (E) AP24637 HOSE ASSY HWH02HP x 66"  
CAP END - MUST MAINTAIN EQUAL LENGTH AND DIAMETER
- (F) AP24631 HOSE ASSY HWH02HP x 42"  
ROD END - ALWAYS PRESSURIZED - MUST BE HIGH PRESSURE HOSES OF EQUAL LENGTH AND DIAMETER



LOCATION AND ORIENTATION OF PUMP/MANIFOLD ASSEMBLY WILL DIFFER DEPENDING UPON O.E.M.

NOTE: INSTALLATION MUST CONFORM TO GOOD SHOP PRACTICES, SAE STANDARDS, RVIA STANDARDS, AND OTHER APPLICABLE STANDARDS.



MP70378 C/C  
 07FEB11