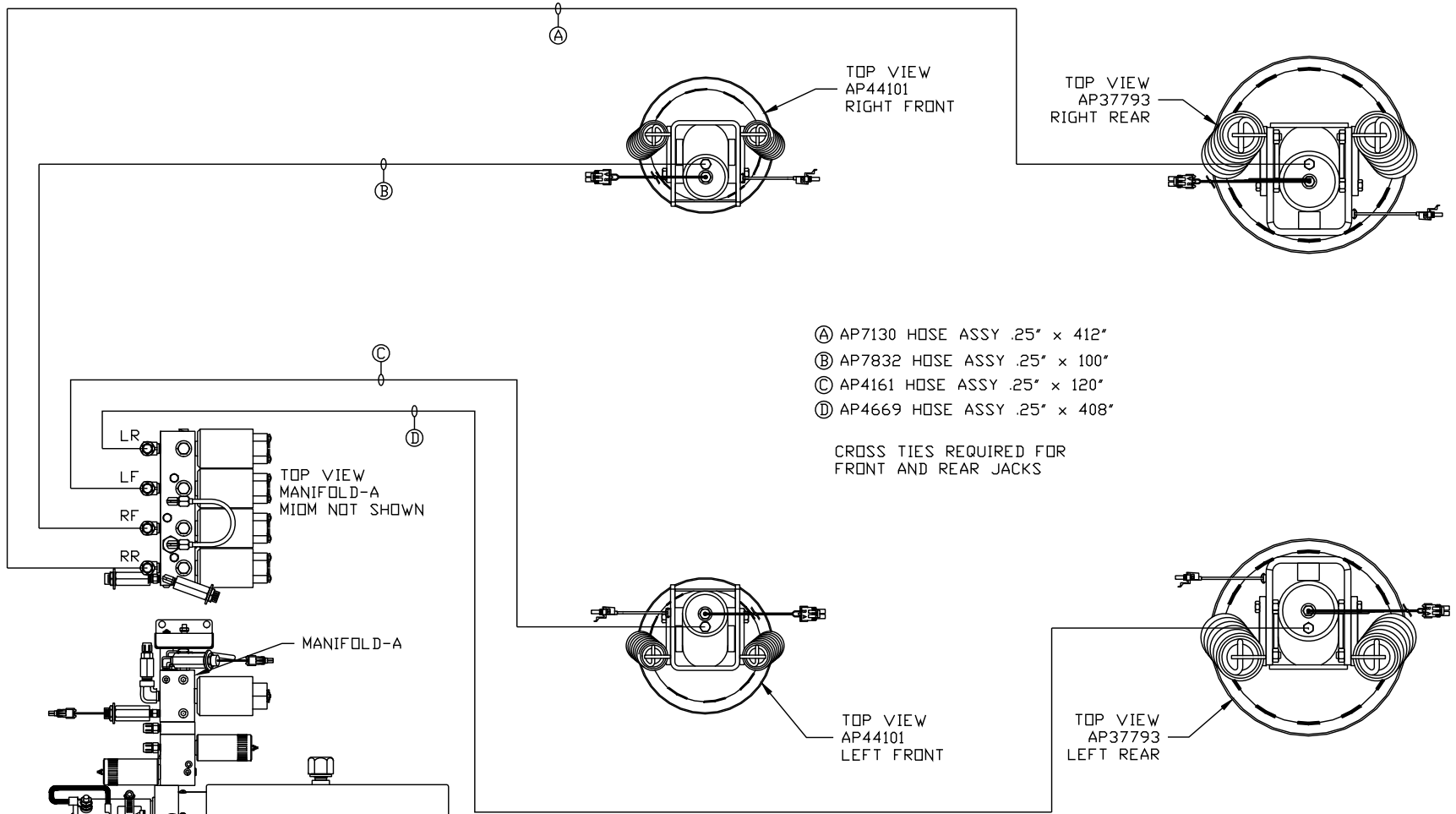
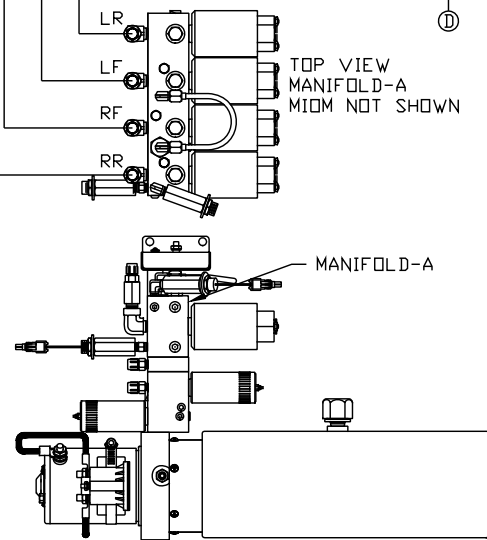


ORIENTATION
← FRONT



- Ⓐ AP7130 HOSE ASSY .25" x 412"
- Ⓑ AP7832 HOSE ASSY .25" x 100"
- Ⓒ AP4161 HOSE ASSY .25" x 120"
- Ⓓ AP4669 HOSE ASSY .25" x 408"

CROSS TIES REQUIRED FOR FRONT AND REAR JACKS



SIDE VIEW PUMP/MANIFOLD-AP48130
LOCATION AND ORIENTATION OF PUMP/MANIFOLD ASSEMBLY WILL DIFFER DEPENDING UPON O.E.M.

NOTE: INSTALLATION MUST CONFORM TO GOOD SHOP PRACTICES, SAE STANDARDS, RVIA STANDARDS, AND OTHER APPLICABLE STANDARDS.

PUMP KIT: AP48122
JACK KIT: AP48120

1	15MAY12	CHANGED ROOM POSITIONS
NO.	DATE	REVISION

THE INFORMATION DISCLOSED ON THIS DRAWING IS CONFIDENTIAL AND MUST NOT BE DISCLOSED OR USED IN ANY MANNER WHICH WILL BE DETRIMENTAL TO THE HWH CORPORATION

HWH I-80 EXIT 267 SOUTH
RT 1 MOSCOW, IOWA 52760

SCALE 1:6 DATE 14FEB11 DRAWN BY .

HYD CONN DIAGRAM

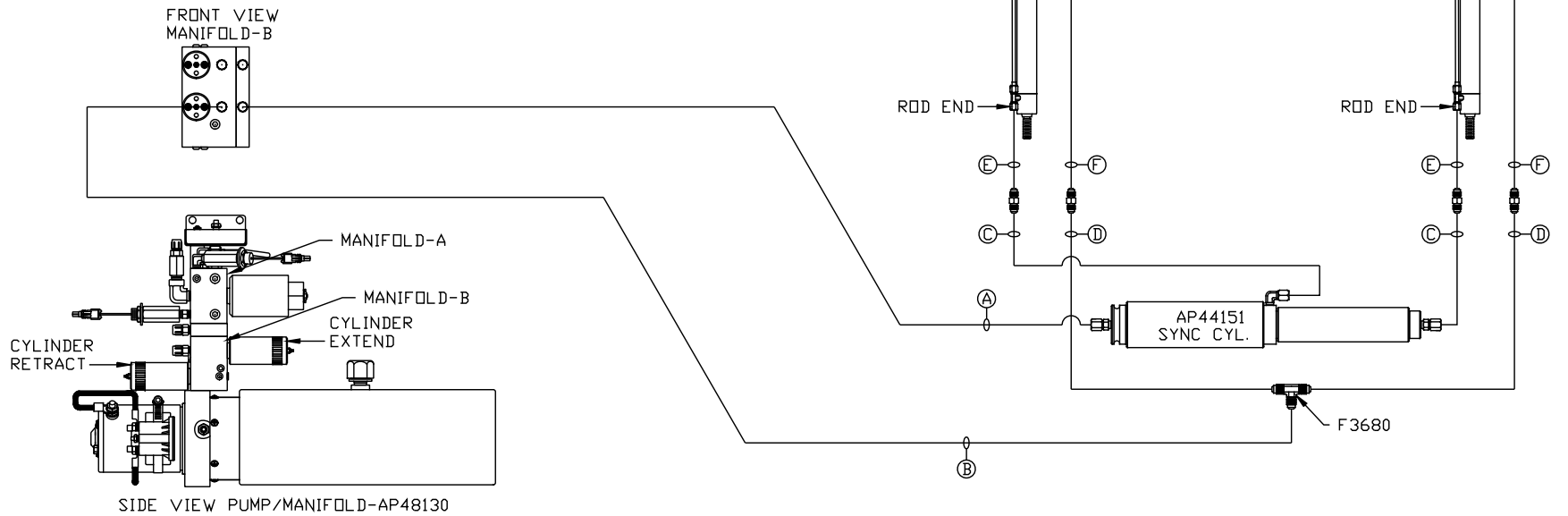
TIFFIN

DRAWING NUMBER
MP70380 A/C

ORIENTATION
 ← FRONT

NOTE: HOSES (E) AND (F) ARE INCLUDED WITH THE ROOM EXTENSION MECHANISM.

- (A) AP4059 HOSE ASSY .25" x 36"
ROD END - ALWAYS PRESSURIZED
- (B) AP4073 HOSE ASSY .25" x 60"
CAP END
- (C) AP24640 HOSE ASSY HWH02HP x 108"
ROD END - ALWAYS PRESSURIZED - MUST BE HIGH PRESSURE HOSES OF EQUAL LENGTH AND DIAMETER
- (D) AP5352 HOSE ASSY .25" x 96"
CAP END - MUST MAINTAIN EQUAL LENGTH AND DIAMETER
- (E) AP24637 HOSE ASSY HWH02HP x 66"
CAP END - MUST MAINTAIN EQUAL LENGTH AND DIAMETER
- (F) AP24631 HOSE ASSY HWH02HP x 42"
ROD END - ALWAYS PRESSURIZED - MUST BE HIGH PRESSURE HOSES OF EQUAL LENGTH AND DIAMETER



LOCATION AND ORIENTATION OF PUMP/MANIFOLD ASSEMBLY WILL DIFFER DEPENDING UPON O.E.M.

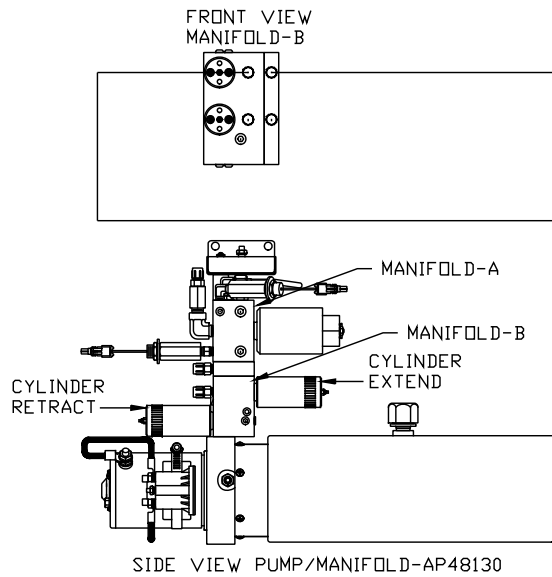
NOTE: INSTALLATION MUST CONFORM TO GOOD SHOP PRACTICES, SAE STANDARDS, RVIA STANDARDS, AND OTHER APPLICABLE STANDARDS.

MP70380 B/C
 15MAY12

ORIENTATION
 ← FRONT

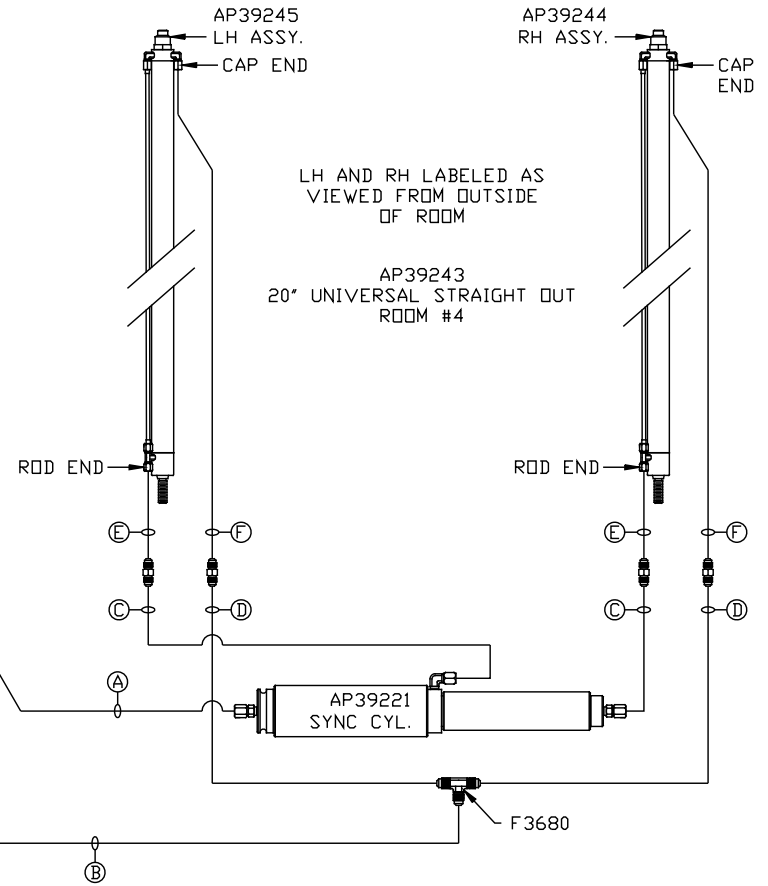
NOTE: HOSES (E) AND (F) ARE INCLUDED WITH THE ROOM EXTENSION MECHANISM.

- (A) AP4064 HOSE ASSY .25" x 300"
ROD END - ALWAYS PRESSURIZED
- (B) AP5562 HOSE ASSY .25" x 276"
CAP END
- (C) AP24656 HOSE ASSY HWH02HP x 228"
ROD END - ALWAYS PRESSURIZED - MUST BE HIGH PRESSURE HOSES OF EQUAL LENGTH AND DIAMETER
- (D) AP4061 HOSE ASSY .25" x 216"
CAP END - MUST MAINTAIN EQUAL LENGTH AND DIAMETER
- (E) AP24637 HOSE ASSY HWH02HP x 66"
CAP END - MUST MAINTAIN EQUAL LENGTH AND DIAMETER
- (F) AP24631 HOSE ASSY HWH02HP x 42"
ROD END - ALWAYS PRESSURIZED - MUST BE HIGH PRESSURE HOSES OF EQUAL LENGTH AND DIAMETER



LOCATION AND ORIENTATION OF PUMP/MANIFOLD ASSEMBLY WILL DIFFER DEPENDING UPON O.E.M.

NOTE: INSTALLATION MUST CONFORM TO GOOD SHOP PRACTICES, SAE STANDARDS, RVIA STANDARDS, AND OTHER APPLICABLE STANDARDS.



MP70380 C/C
 15MAY12