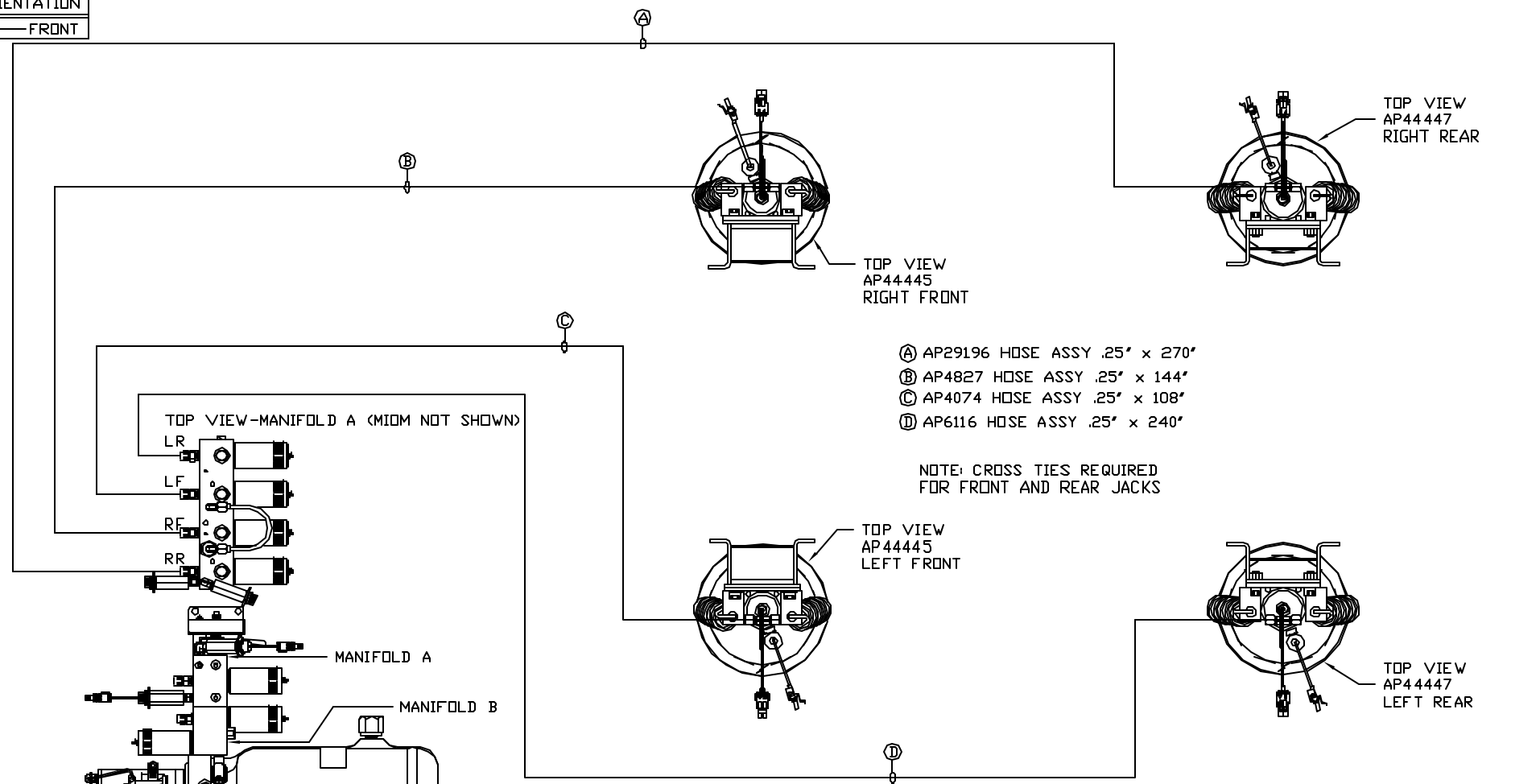
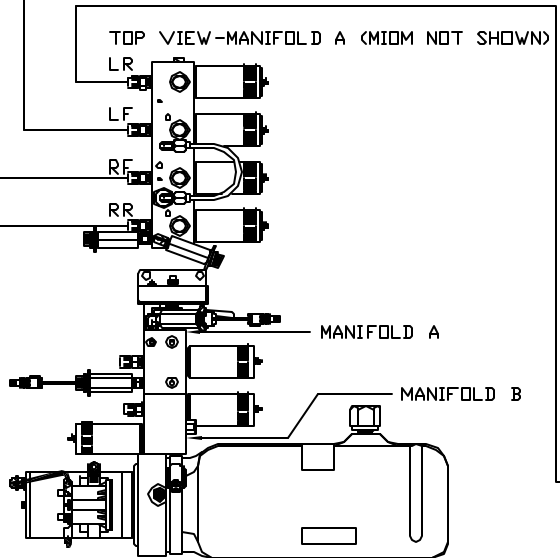


ORIENTATION
FRONT



- Ⓐ AP29196 HOSE ASSY .25' x 270'
- Ⓑ AP4827 HOSE ASSY .25' x 144'
- Ⓒ AP4074 HOSE ASSY .25' x 108'
- Ⓓ AP6116 HOSE ASSY .25' x 240'

NOTE: CROSS TIES REQUIRED FOR FRONT AND REAR JACKS



SIDE VIEW PUMP/MANIFOLD-AP47686

LOCATION AND ORIENTATION OF PUMP/MANIFOLD ASSEMBLY WILL DIFFER DEPENDING UPON O.E.M.

NO.	DATE	REVISION

HWH I-80 EXIT 267 SOUTH
RT 1 MOSCOW, IDWA 52760

SCALE 1:6 DATE 14FEB11 DRAWN BY .

HYD CONN DIAGRAM

NOTE: INSTALLATION MUST CONFORM TO GOOD SHOP PRACTICES, SAE STANDARDS, RVIA STANDARDS, AND OTHER APPLICABLE STANDARDS.

PUMP KIT: AP47685
LEVELING SYSTEM: AP48123

THE INFORMATION DISCLOSED ON THIS DRAWING IS CONFIDENTIAL AND MUST NOT BE DISCLOSED OR USED IN ANY MANNER WHICH WILL BE DETRIMENTAL TO THE HWH CORPORATION

TIFFIN

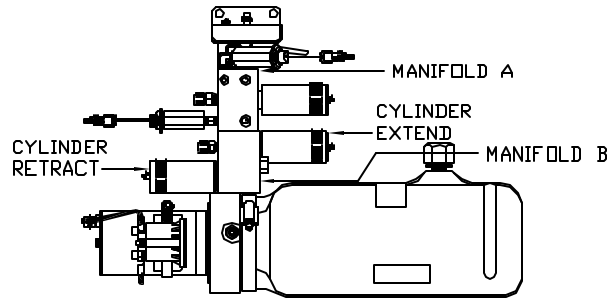
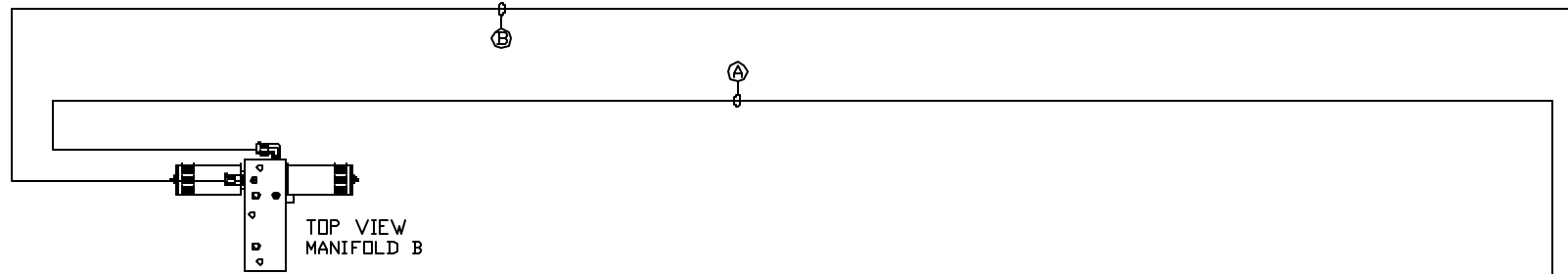
DRAWING NUMBER
MP70381 A/B

ORIENTATION

FRONT

Ⓐ AP4310 HOSE ASSY .25" x 204"
ROD END - ALWAYS PRESSURIZED

Ⓑ AP6115 HOSE ASSY .25" x 168"
CAP END



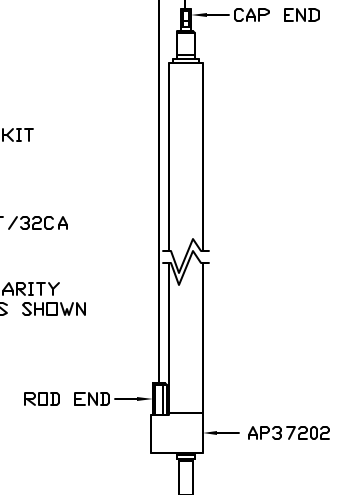
SIDE VIEW PUMP/MANIFOLD-AP47686

LOCATION AND ORIENTATION OF
PUMP/MANIFOLD ASSEMBLY WILL
DIFFER DEPENDING UPON O.E.M.

AP48092
ROOM EXTENSION KIT

AP47687
ROOM HOSE/HARN KIT/32CA

FOR CONNECTION CLARITY
ONLY THE CYLINDER IS SHOWN



NOTE: INSTALLATION MUST CONFORM TO GOOD SHOP PRACTICES, SAE
STANDARDS, RVIA STANDARDS, AND OTHER APPLICABLE STANDARDS.