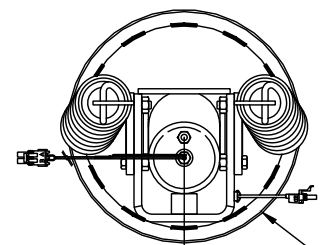
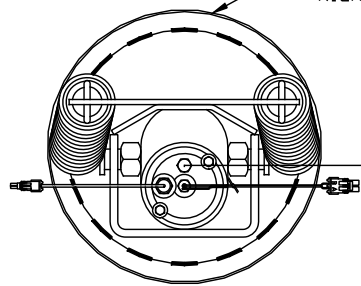


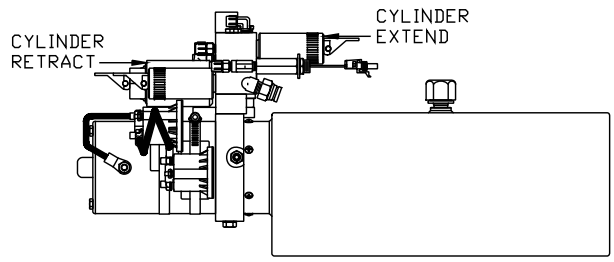
ORIENTATION  
← FRONT



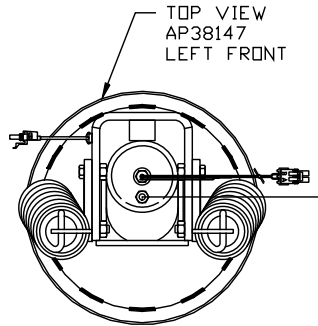
TOP VIEW  
AP38147  
RIGHT FRONT



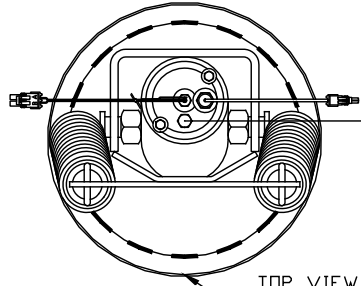
TOP VIEW  
AP37562  
RIGHT REAR



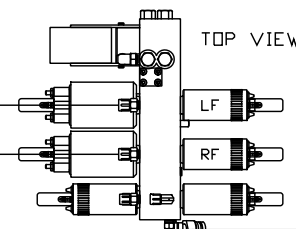
SIDE VIEW PUMP/MANIFOLD-AP48646



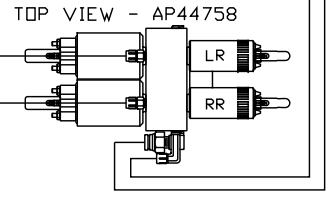
TOP VIEW  
AP38147  
LEFT FRONT



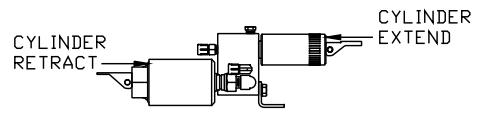
TOP VIEW  
AP37562  
LEFT REAR



TOP VIEW-MANIFOLD ON PUMP



TOP VIEW - AP44758



SIDE VIEW - AP44758

- Ⓐ HOSE ASSY .25" ID
- Ⓑ HOSE ASSY .25" ID
- Ⓒ AP42057 HOSE ASSY .313" X 72"
- Ⓓ AP7818 HOSE ASSY .313" X 120"
- Ⓔ HOSE ASSY .25" ID
- Ⓕ RETURN LINE .5" ID

NOTE: CROSS TIES REQUIRED FOR FRONT AND REAR JACKS

NOTE: INSTALLATION MUST CONFORM TO GOOD SHOP PRACTICES, SAE STANDARDS, RVIA STANDARDS, AND OTHER APPLICABLE STANDARDS.

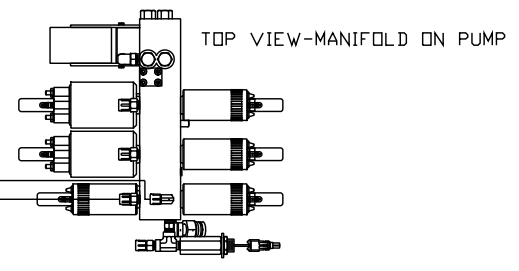
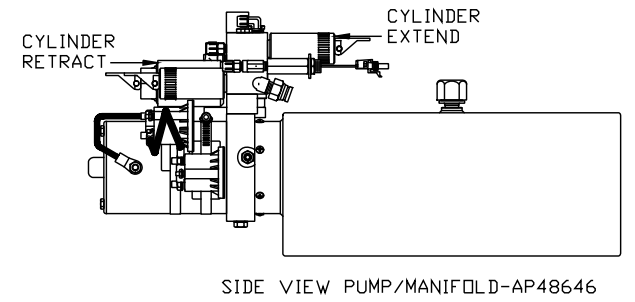
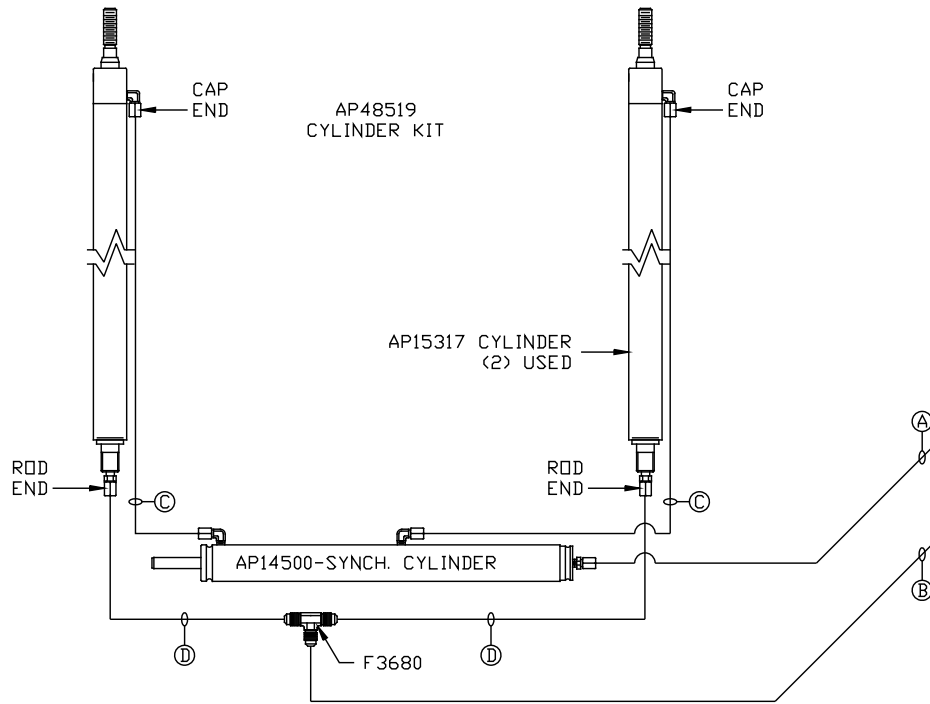
LEVELING SYSTEM: AP48483

NO.	DATE	REVISION
THE INFORMATION DISCLOSED ON THIS DRAWING IS CONFIDENTIAL AND MUST NOT BE DISCLOSED OR USED IN ANY MANNER WHICH WILL BE DETRIMENTAL TO THE HWH CORPORATION		

<b>HWH</b>		I-80 EXIT 267 SOUTH RT 1 MOSCOW, IOWA 52760	
SCALE 1:6	DATE 10JUN11	DRAWN BY .	
HYD CONN DIAGRAM			
LDS SYSTEMS		DRAWING NUMBER MP70400 A/B	

ORIENTATION

← FRONT



- Ⓐ HOSE ASSY .25" ID  
ROD END - ALWAYS PRESSURIZED
- Ⓑ HOSE ASSY .25" ID  
CAP END
- Ⓒ HOSE ASSY HWH02HP  
ROD END - ALWAYS PRESSURIZED - MUST  
BE HIGH PRESSURE HOSES OF EQUAL  
LENGTH AND DIAMETER
- Ⓓ HOSE ASSY .25" ID  
CAP END - MUST MAINTAIN EQUAL LENGTH  
AND DIAMETER