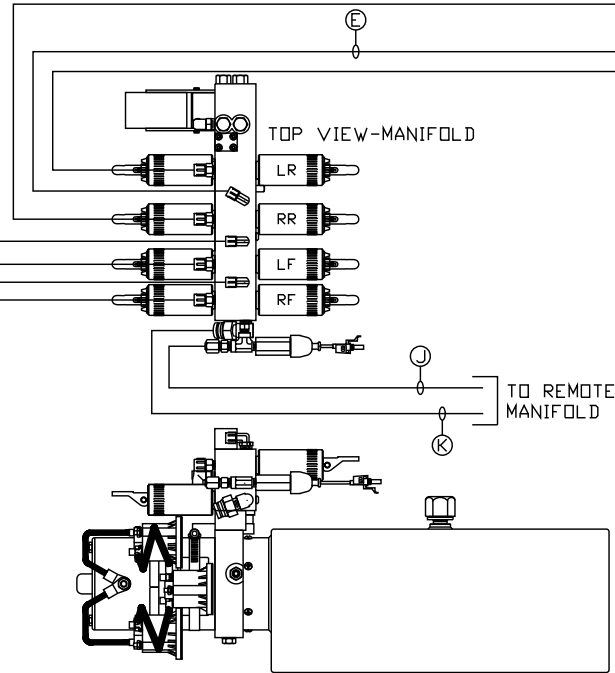
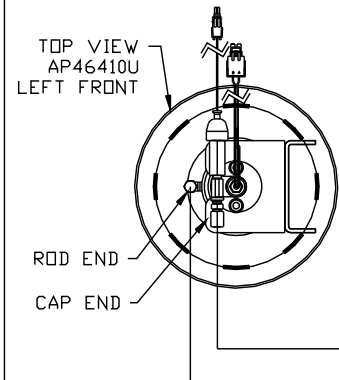
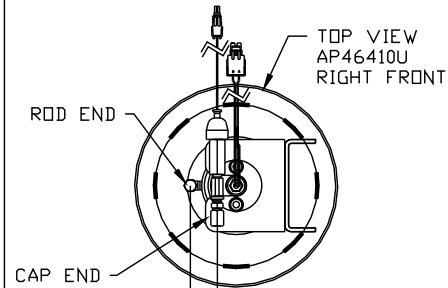
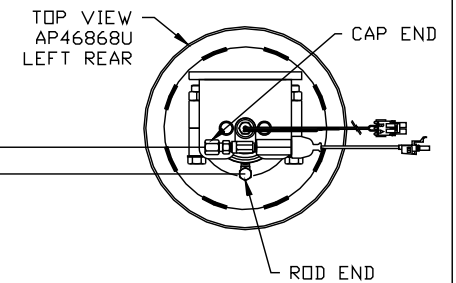
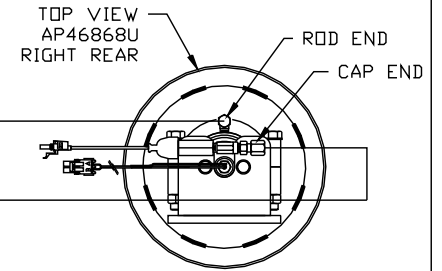


ORIENTATION  
← FRONT



SIDE VIEW PUMP/MANIFOLD-AP46849  
LOCATION AND ORIENTATION OF  
PUMP/MANIFOLD ASSEMBLY WILL  
DIFFER DEPENDING UPON O.E.M.



- Ⓐ HOSE ASSY .25" ID - RF ROD END
- Ⓑ HOSE ASSY .25/05 - RF CAP END
- Ⓒ HOSE ASSY .25" ID - LF ROD END
- Ⓓ HOSE ASSY .25/05 - LF CAP END
- Ⓔ HOSE ASSY .25" ID - REAR ROD END
- Ⓕ HOSE ASSY .25/05 - RR CAP END
- Ⓖ HOSE ASSY .25 ID - RR ROD END
- Ⓗ HOSE ASSY .25 ID - LR ROD END
- Ⓘ HOSE ASSY .25/05 - LR CAP END
- ⓵ HOSE ASSY .25 ID - PRESSURE TO REMOTE MANIFOLD
- ⓶ RETURN LINE .5 ID - RETURN FROM REMOTE MANIFOLD

NOTE: INSTALLATION MUST CONFORM TO GOOD SHOP PRACTICES, SAE STANDARDS, RVIA STANDARDS, AND OTHER APPLICABLE STANDARDS.

LEVELING SYSTEM: AP48260

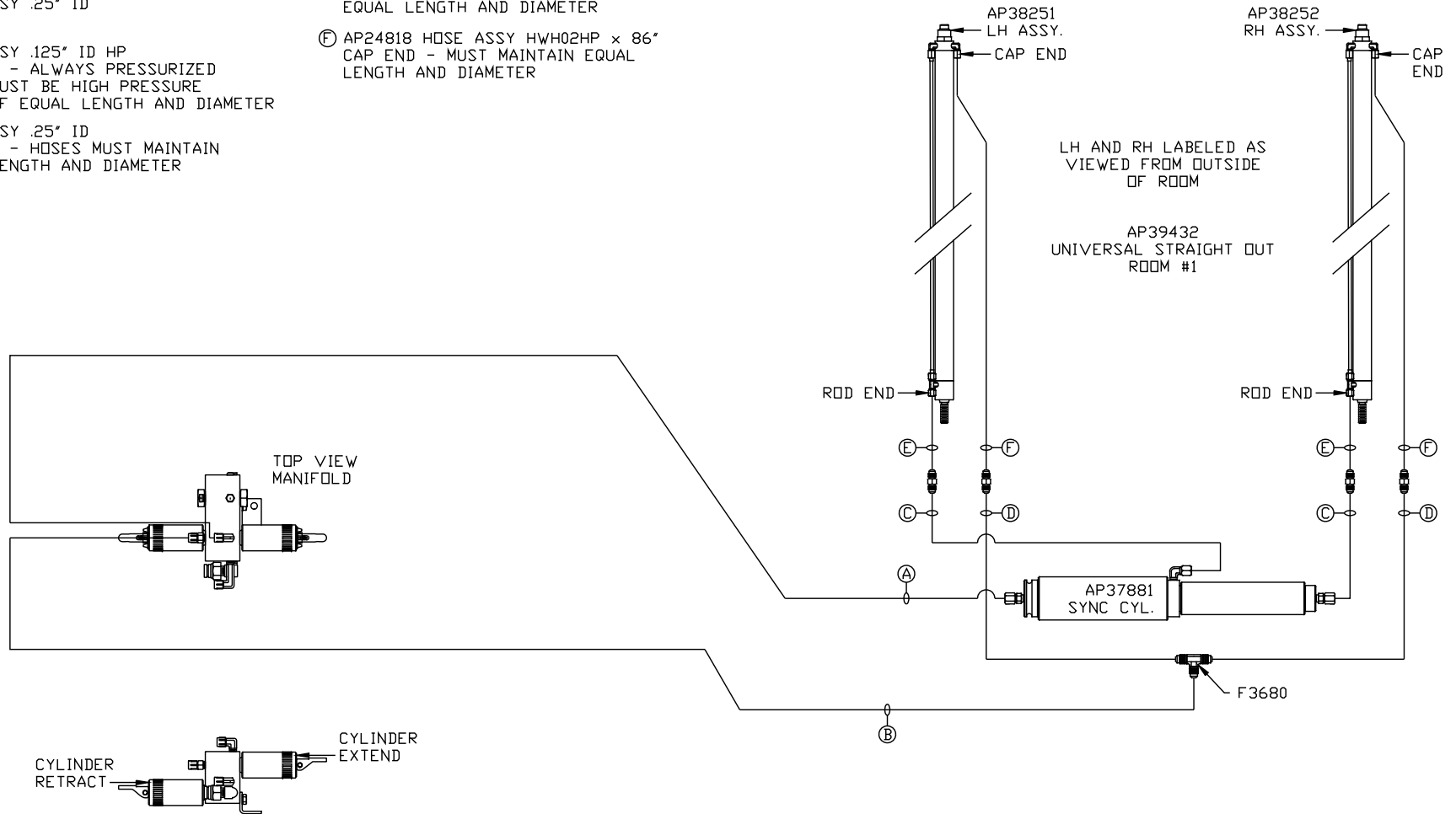
NO.	DATE	REVISION
THE INFORMATION DISCLOSED ON THIS DRAWING IS CONFIDENTIAL AND MUST NOT BE DISCLOSED OR USED IN ANY MANNER WHICH WILL BE DETRIMENTAL TO THE HWH CORPORATION		

<b>HWH</b>			I-80 EXIT 267 SOUTH RT 1 MOSCOW, IOWA 52760		
SCALE 1:6	DATE 11AUG11	DRAWN BY .			
<b>HYD CONN DIAGRAM</b>					
<b>4 STAR</b>				DRAWING NUMBER <b>MP70429 A/B</b>	

- Ⓐ HOSE ASSY .25" ID  
ROD END - ALWAYS PRESSURIZED
- Ⓑ HOSE ASSY .25" ID  
CAP END
- Ⓒ HOSE ASSY .125" ID HP  
ROD END - ALWAYS PRESSURIZED  
HOSES MUST BE HIGH PRESSURE  
HOSES OF EQUAL LENGTH AND DIAMETER
- Ⓓ HOSE ASSY .25" ID  
CAP END - HOSES MUST MAINTAIN  
EQUAL LENGTH AND DIAMETER

- Ⓔ AP24632 HOSE ASSY HWH02HP x 48"  
ROD END - ALWAYS PRESSURIZED -  
MUST BE HIGH PRESSURE HOSES OF  
EQUAL LENGTH AND DIAMETER
- Ⓕ AP24818 HOSE ASSY HWH02HP x 86"  
CAP END - MUST MAINTAIN EQUAL  
LENGTH AND DIAMETER

NOTE: HOSES Ⓔ AND Ⓕ ARE INCLUDED  
WITH THE ROOM EXTENSION MECHANISM



SIDE VIEW MANIFOLD-AP46662

LOCATION AND ORIENTATION OF  
MANIFOLD ASSEMBLY WILL  
DIFFER DEPENDING UPON O.E.M.

NOTE: INSTALLATION MUST CONFORM TO GOOD SHOP PRACTICES, SAE  
STANDARDS, RVIA STANDARDS, AND OTHER APPLICABLE STANDARDS.

MP70429 B/B  
11AUG11