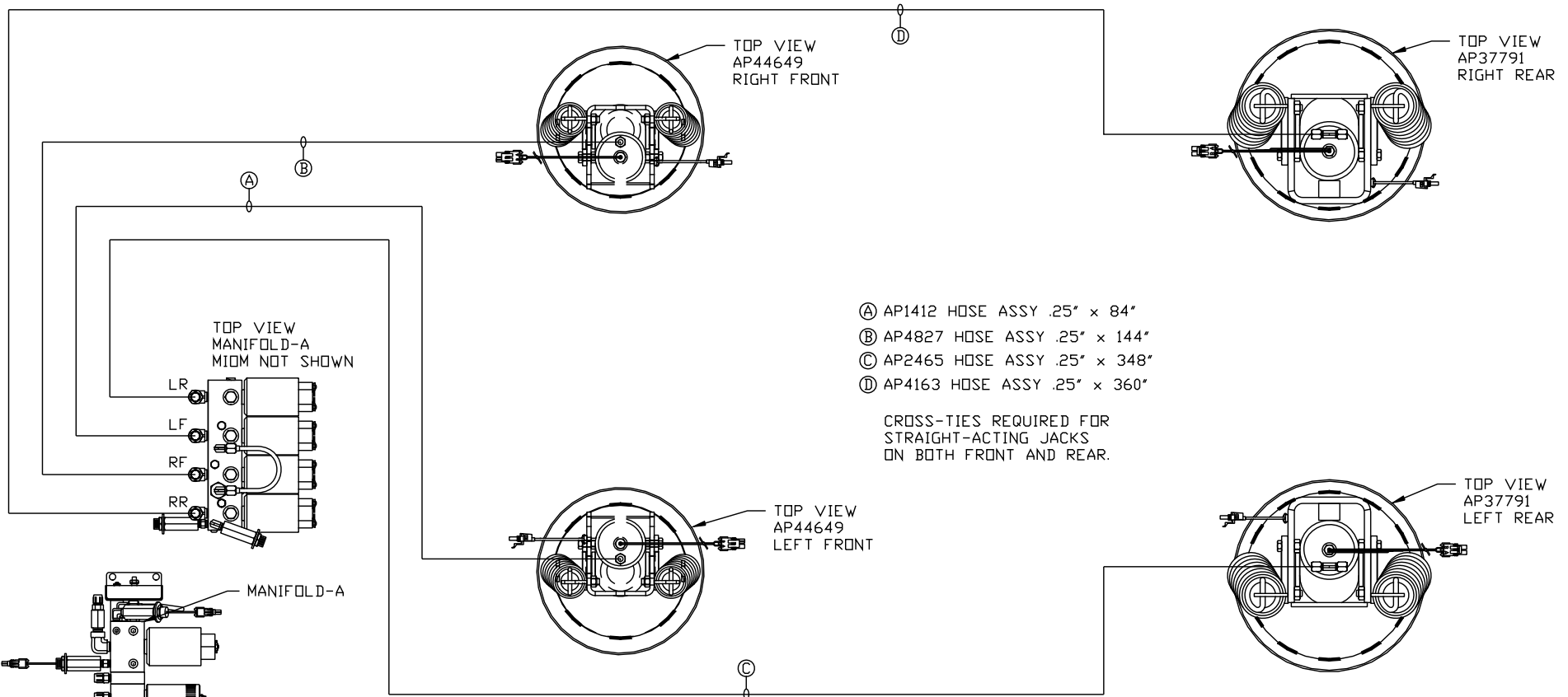


ORIENTATION
← FRONT



SIDE VIEW PUMP/MANIFOLD-AP47995

LOCATION AND ORIENTATION OF PUMP/MANIFOLD ASSEMBLY WILL DIFFER DEPENDING UPON O.E.M.

NOTE: INSTALLATION MUST CONFORM TO GOOD SHOP PRACTICES, SAE STANDARDS, RVIA STANDARDS, AND OTHER APPLICABLE STANDARDS.

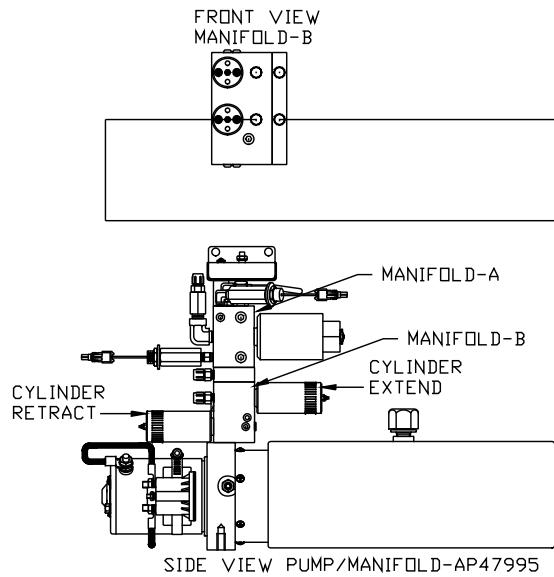
NO.	DATE	REVISION
1	15MAY12	CHANGED ROOM POSITIONS
SYNC KIT: AP48426 PUMP KIT: AP47983 JACK KIT: AP47705		
THE INFORMATION DISCLOSED ON THIS DRAWING IS CONFIDENTIAL AND MUST NOT BE DISCLOSED OR USED IN ANY MANNER WHICH WILL BE DETRIMENTAL TO THE HWH CORPORATION		

HWH I-80 EXIT 267 SOUTH RT 1 MOSCOW, IOWA 52760		
SCALE 1:6	DATE 18AUG11	DRAWN BY .
HYD CONN DIAGRAM		
TIFFIN		DRAWING NUMBER MP70448 A/C

ORIENTATION
 ← FRONT

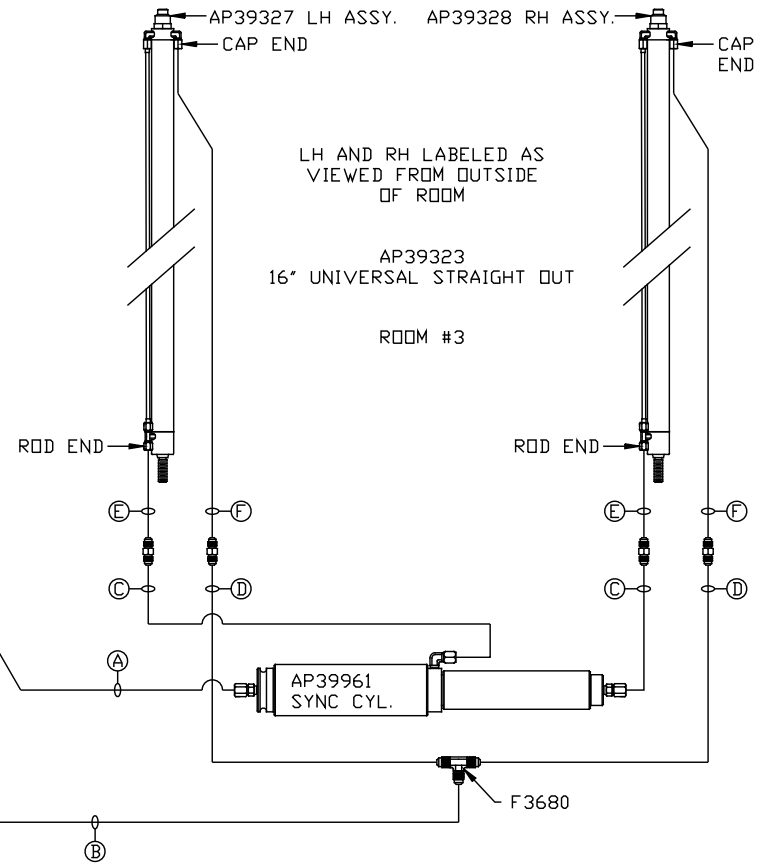
NOTE: HOSES (E) AND (F) ARE INCLUDED WITH THE ROOM EXTENSION MECHANISM.

- (A) AP4827 HOSE ASSY .25" x 144"
ROD END - ALWAYS PRESSURIZED
- (B) AP6115 HOSE ASSY .25" x 168"
CAP END
- (C) AP24646 HOSE ASSY HWH02HP x 156"
ROD END - ALWAYS PRESSURIZED - MUST BE HIGH PRESSURE HOSES OF EQUAL LENGTH AND DIAMETER
- (D) AP4065 HOSE ASSY .25" x 156"
CAP END - MUST MAINTAIN EQUAL LENGTH AND DIAMETER
- (E) AP24637 HOSE ASSY HWH02HP x 66"
CAP END - MUST MAINTAIN EQUAL LENGTH AND DIAMETER
- (F) AP24631 HOSE ASSY HWH02HP x 42"
ROD END - ALWAYS PRESSURIZED - MUST BE HIGH PRESSURE HOSES OF EQUAL LENGTH AND DIAMETER



LOCATION AND ORIENTATION OF PUMP/MANIFOLD ASSEMBLY WILL DIFFER DEPENDING UPON O.E.M.

NOTE: INSTALLATION MUST CONFORM TO GOOD SHOP PRACTICES, SAE STANDARDS, RVIA STANDARDS, AND OTHER APPLICABLE STANDARDS.

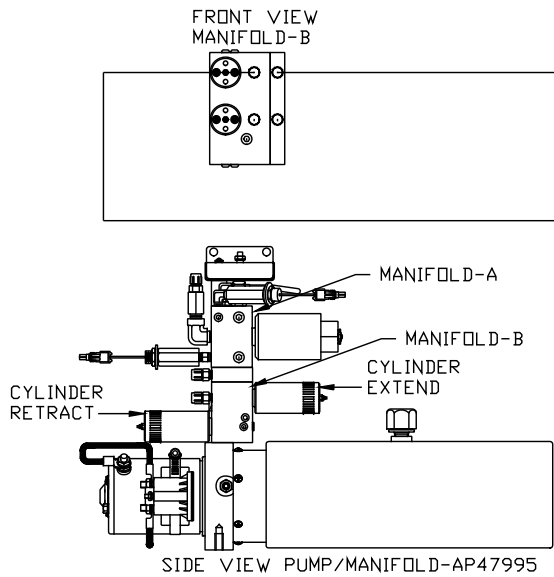


MP70448 B/C
15MAY12

ORIENTATION
 ← FRONT

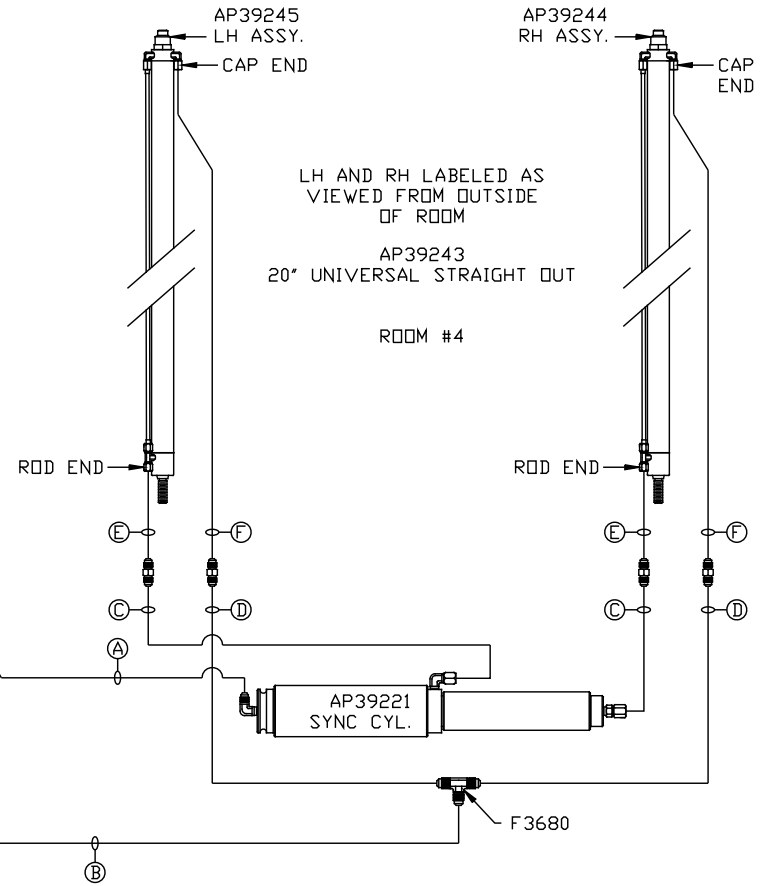
NOTE: HOSES (E) AND (F) ARE INCLUDED WITH THE ROOM EXTENSION MECHANISM.

- (A) AP5561 HOSE ASSY .25" x 336" ROD END - ALWAYS PRESSURIZED
- (B) AP4163 HOSE ASSY .25" x 360" CAP END
- (C) AP24656 HOSE ASSY HWH02HP x 228" ROD END - ALWAYS PRESSURIZED - MUST BE HIGH PRESSURE HOSES OF EQUAL LENGTH AND DIAMETER
- (D) AP4061 HOSE ASSY .25" x 216" CAP END - MUST MAINTAIN EQUAL LENGTH AND DIAMETER
- (E) AP24637 HOSE ASSY HWH02HP x 66" CAP END - MUST MAINTAIN EQUAL LENGTH AND DIAMETER
- (F) AP24631 HOSE ASSY HWH02HP x 42" ROD END - ALWAYS PRESSURIZED - MUST BE HIGH PRESSURE HOSES OF EQUAL LENGTH AND DIAMETER



LOCATION AND ORIENTATION OF PUMP/MANIFOLD ASSEMBLY WILL DIFFER DEPENDING UPON O.E.M.

NOTE: INSTALLATION MUST CONFORM TO GOOD SHOP PRACTICES, SAE STANDARDS, RVIA STANDARDS, AND OTHER APPLICABLE STANDARDS.



MP70448 C/C
 15MAY12