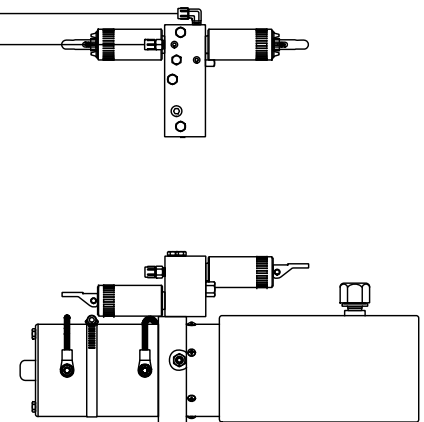


TOP VIEW - MANIFOLD



SIDE VIEW PUMP/MANIFOLD-AP47893

LOCATION AND ORIENTATION OF PUMP/MANIFOLD ASSEMBLY WILL DIFFER DEPENDING UPON O.E.M.

- Ⓐ AP4062 HOSE ASSY .25" x 132"  
ROD END - ALWAYS PRESSURIZED
- Ⓑ AP4827 HOSE ASSY .25" x 144"  
CAP END
- Ⓒ AP27857 HOSE ASSY HWH02HP x 110"  
ROD END - ALWAYS PRESSURIZED - MUST BE HIGH PRESSURE HOSES OF EQUAL LENGTH AND DIAMETER
- Ⓓ AP24641 HOSE ASSY HWH02HP x 114"  
CAP END - MUST MAINTAIN EQUAL LENGTH AND DIAMETER

NOTE: INSTALLATION MUST CONFORM TO GOOD SHOP PRACTICES, SAE STANDARDS, RVIA STANDARDS, AND OTHER APPLICABLE STANDARDS.

CONTROL PACKAGE: AP50012

		HWH I-80 EXIT 267 SOUTH RT 1 MOSCOW, IOWA 52760	
		SCALE 1:6	DATE 01MAR12
		DRAWN BY .	
		HYD CONN DIAGRAM	
NO.	DATE	REVISION	
		THE INFORMATION DISCLOSED ON THIS DRAWING IS CONFIDENTIAL AND MUST NOT BE DISCLOSED OR USED IN ANY MANNER WHICH WILL BE DETRIMENTAL TO THE HWH CORPORATION	
		LDS SYSTEMS	DRAWING NUMBER MP70511