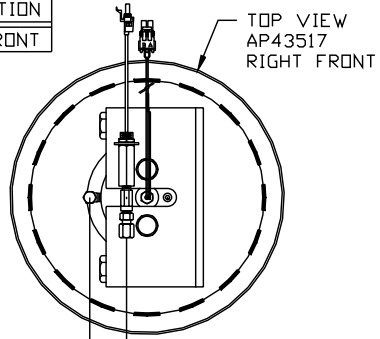
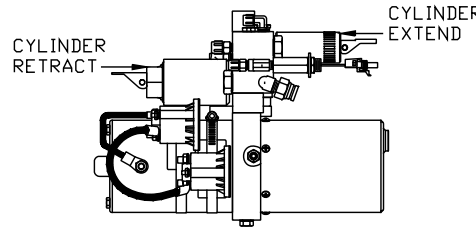
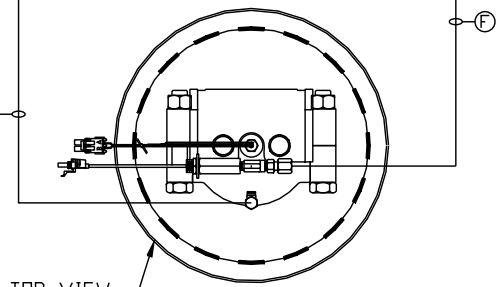
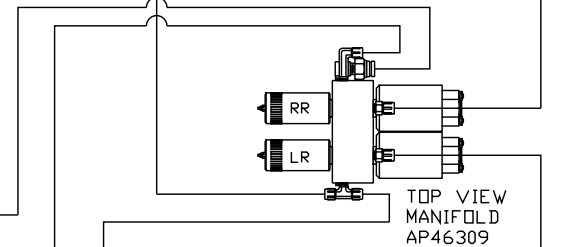
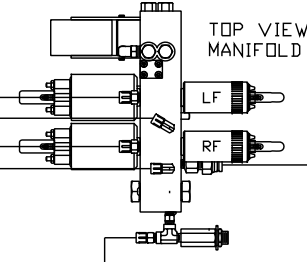
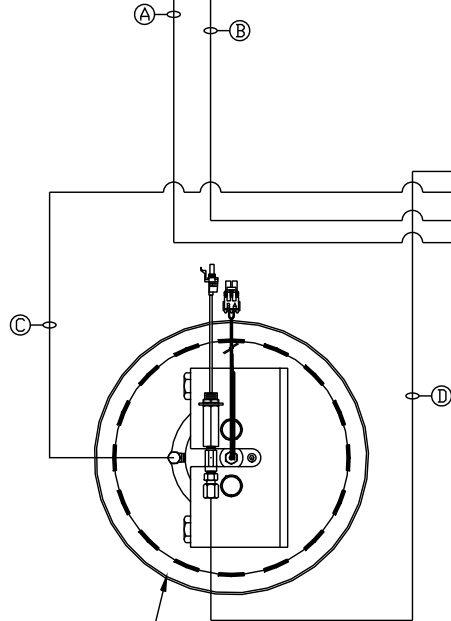
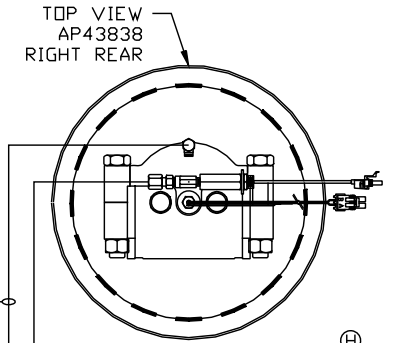


ORIENTATION
← FRONT



- Ⓐ HOSE ASSY .25" ID
ROD END RIGHT FRONT JACK
- Ⓑ HOSE ASSY .25/05
CAP END RIGHT FRONT JACK
- Ⓒ HOSE ASSY .25" ID
ROD END LEFT FRONT JACK
- Ⓓ HOSE ASSY .25/05
CAP END LEFT FRONT JACK
- Ⓔ HOSE ASSY .25" ID
ROD END LEFT REAR JACK

- Ⓕ HOSE ASSY .25/05
CAP END LEFT REAR JACK
- Ⓖ HOSE ASSY .25" ID
ROD END RIGHT REAR JACK
- Ⓗ HOSE ASSY .25/05
CAP END RIGHT REAR JACK
- Ⓜ HOSE ASSY .25" ID
PRESSURE
- Ⓨ NYLON TUBING .5" OD
RETURN



TOP VIEW
AP43517
LEFT FRONT

LOCATION AND ORIENTATION OF
PUMP/MANIFOLD ASSEMBLY WILL
DIFFER DEPENDING UPON O.E.M.

NO.	DATE	REVISION

HWH I-80 EXIT 267 SOUTH
RT 1 MOSCOW, IOWA 52760

SCALE 1:6 DATE 05MAR12 DRAWN BY .

HYD CONN DIAGRAM

NOTE: INSTALLATION MUST CONFORM TO GOOD SHOP PRACTICES, SAE STANDARDS, RVIA STANDARDS, AND OTHER APPLICABLE STANDARDS.

LEVELING SYSTEM: AP49836

THE INFORMATION DISCLOSED ON THIS DRAWING IS CONFIDENTIAL AND MUST NOT BE DISCLOSED OR USED IN ANY MANNER WHICH WILL BE DETRIMENTAL TO THE HWH CORPORATION

STUARTS SERVICE

DRAWING NUMBER
MP70514