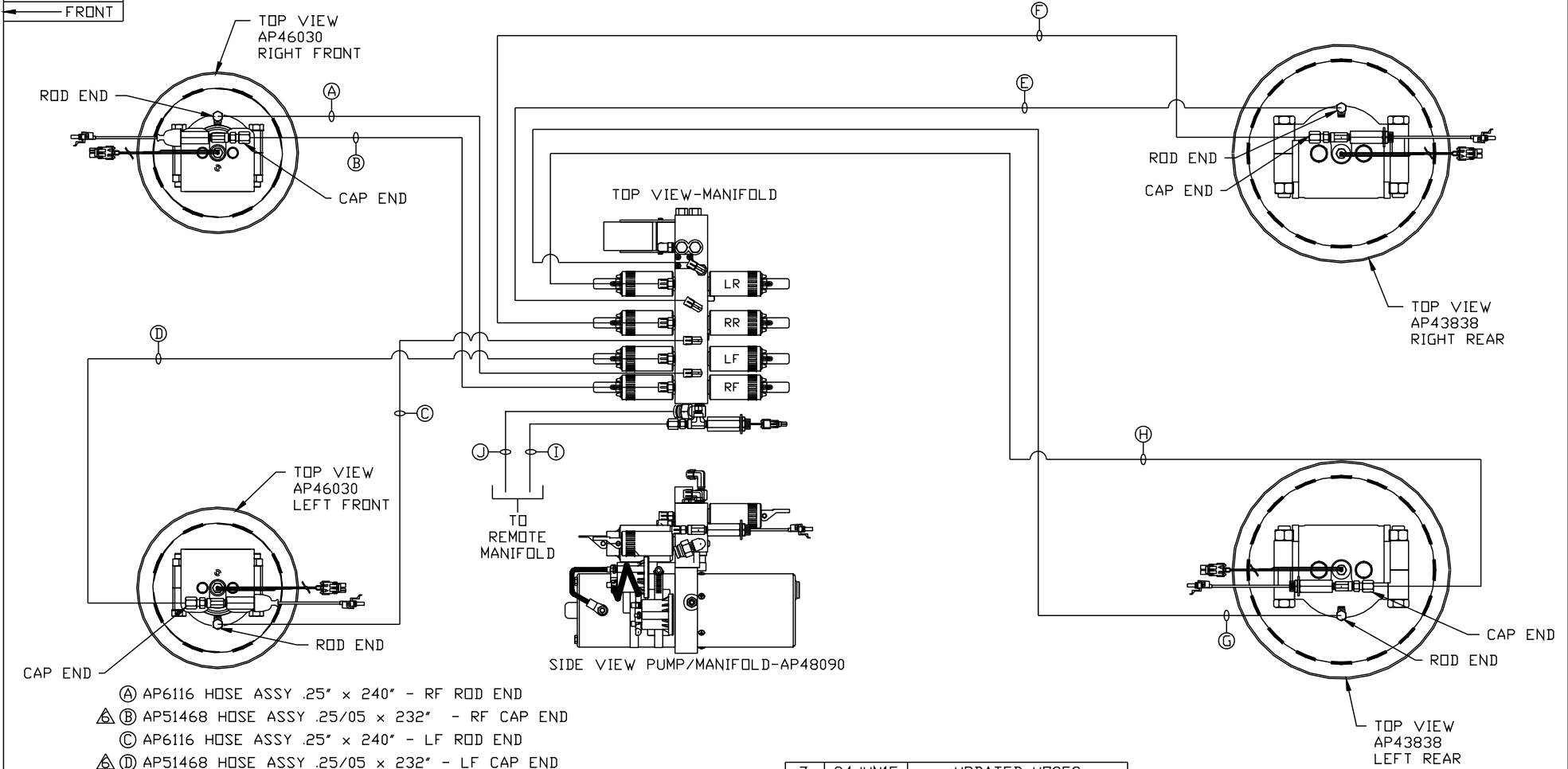


ORIENTATION

← FRONT



- Ⓐ AP6116 HOSE ASSY .25" x 240" - RF ROD END
- Ⓑ AP51468 HOSE ASSY .25/05 x 232" - RF CAP END
- Ⓒ AP6116 HOSE ASSY .25" x 240" - LF ROD END
- Ⓓ AP51468 HOSE ASSY .25/05 x 232" - LF CAP END
- Ⓔ AP4164 HOSE ASSY .25" x 384" - RR ROD END
- Ⓕ AP50407 HOSE ASSY .25/05 x 360" - RR CAP END
- Ⓖ AP4164 HOSE ASSY .25" x 384" - LR ROD END
- Ⓗ AP50407 HOSE ASSY .25/05 x 360" - LR CAP END
- Ⓘ AP4159 HOSE ASSY .25" x 72" - PRESSURE TO REMOTE MANIFOLD
- ⓵ P6114 RETURN LINE .5" x 72" - RETURN FROM REMOTE MANIFOLD

NOTE: INSTALLATION MUST CONFORM TO GOOD SHOP PRACTICES, SAE STANDARDS, RVIA STANDARDS, AND OTHER APPLICABLE STANDARDS.

LEVELING SYSTEM: AP47900

7	24JUN15	UPDATED HOSES
Ⓐ	11JAN13	WAS AP45368
5	30JUL12	UPDATED HOSES
4	11MAY12	UPDATED HOSES, ROOMS
3	23APR12	UPDATED HOSES
2	20APR12	CORRECTED RR JACK CONN.
NO.	DATE	REVISION

THE INFORMATION DISCLOSED ON THIS DRAWING IS CONFIDENTIAL AND MUST NOT BE DISCLOSED OR USED IN ANY MANNER WHICH WILL BE DETRIMENTAL TO THE HWH CORPORATION

HWH			I-80 EXIT 267 SOUTH RT 1 MOSCOW, IOWA 52760		
SCALE 1:6	DATE 07MAR12	DRAWN BY .			
HYD CONN DIAGRAM					
KIBBI				DRAWING NUMBER MP70520 A/F	

AP50208 HOSE KIT ROOM 1

Ⓐ AP4161 HOSE ASSY .25" x 120"
ROD END - ALWAYS PRESSURIZED

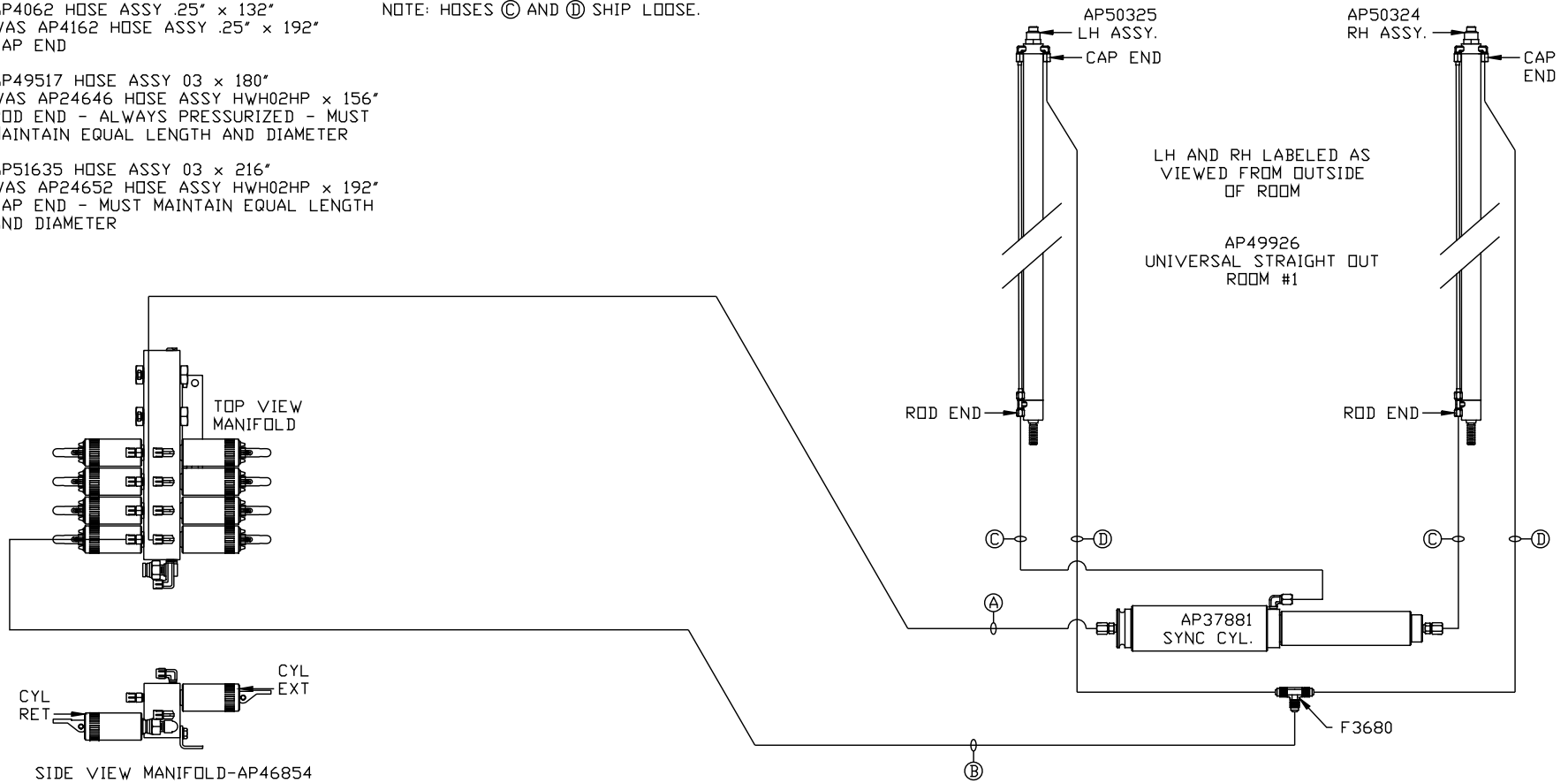
Ⓑ AP4062 HOSE ASSY .25" x 132"
WAS AP4162 HOSE ASSY .25" x 192"
CAP END

Ⓒ AP49517 HOSE ASSY 03 x 180"
WAS AP24646 HOSE ASSY HWH02HP x 156"
ROD END - ALWAYS PRESSURIZED - MUST
MAINTAIN EQUAL LENGTH AND DIAMETER

Ⓓ AP51635 HOSE ASSY 03 x 216"
WAS AP24652 HOSE ASSY HWH02HP x 192"
CAP END - MUST MAINTAIN EQUAL LENGTH
AND DIAMETER

NOTE: HOSE Ⓒ WAS AP49437 HOSE ASSY 03 x 144" AND
AP24639 HOSE ASSY HWH02HP x 96"
HOSE Ⓓ WAS AP4065 HOSE ASSY .25" x 156" AND
AP24644 HOSE ASSY HWH02HP x 132"

NOTE: HOSES Ⓒ AND Ⓓ SHIP LOOSE.



TOP VIEW
MANIFOLD

CYL
RET

CYL
EXT

SIDE VIEW MANIFOLD-AP46854
LOCATION AND ORIENTATION OF
MANIFOLD ASSEMBLY WILL
DIFFER DEPENDING UPON O.E.M.

NOTE: INSTALLATION MUST CONFORM TO GOOD SHOP PRACTICES, SAE
STANDARDS, RVIA STANDARDS, AND OTHER APPLICABLE STANDARDS.

MP70520 B/F
24 JUN 15

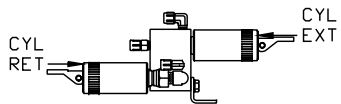
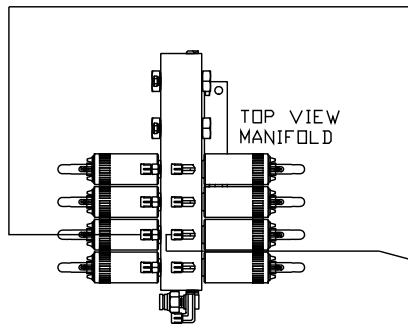
AP50209 HOSE KIT ROOM 2

- Ⓐ AP52740 HOSE ASSY 03 X 480"
WAS AP36651 HOSE ASSY HWH02HP X 480"
WAS AP50396 HOSE ASSY 03 X 480"
ROD END - ALWAYS PRESSURIZED
- Ⓑ AP6218 HOSE ASSY .25" X 480"
CAP END
- Ⓒ AP24628 HOSE ASSY HWH02HP x 24.25"
ROD END - ALWAYS PRESSURIZED
- Ⓓ AP24632 HOSE ASSY HWH02HP x 48"
CAP END

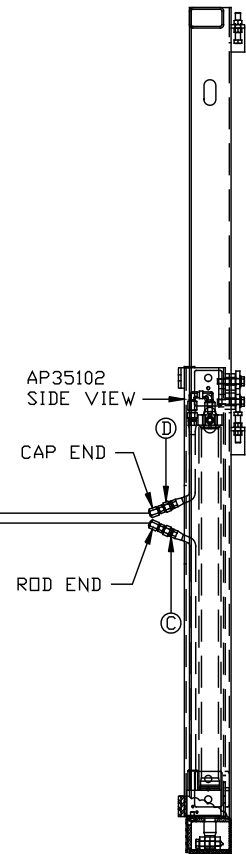
NOTE: HOSES Ⓒ AND Ⓓ ARE INCLUDED WITH THE ROOM EXTENSION MECHANISM.

NOTE: HOSES Ⓐ AND Ⓑ NEED TO BE PLUGGED.

ROOM #2
AP47905
BED SLIDE KIT



SIDE VIEW MANIFOLD-AP46854
LOCATION AND ORIENTATION OF
MANIFOLD ASSEMBLY WILL
DIFFER DEPENDING UPON O.E.M.



NOTE: INSTALLATION MUST CONFORM TO GOOD SHOP PRACTICES, SAE STANDARDS, RVIA STANDARDS, AND OTHER APPLICABLE STANDARDS.

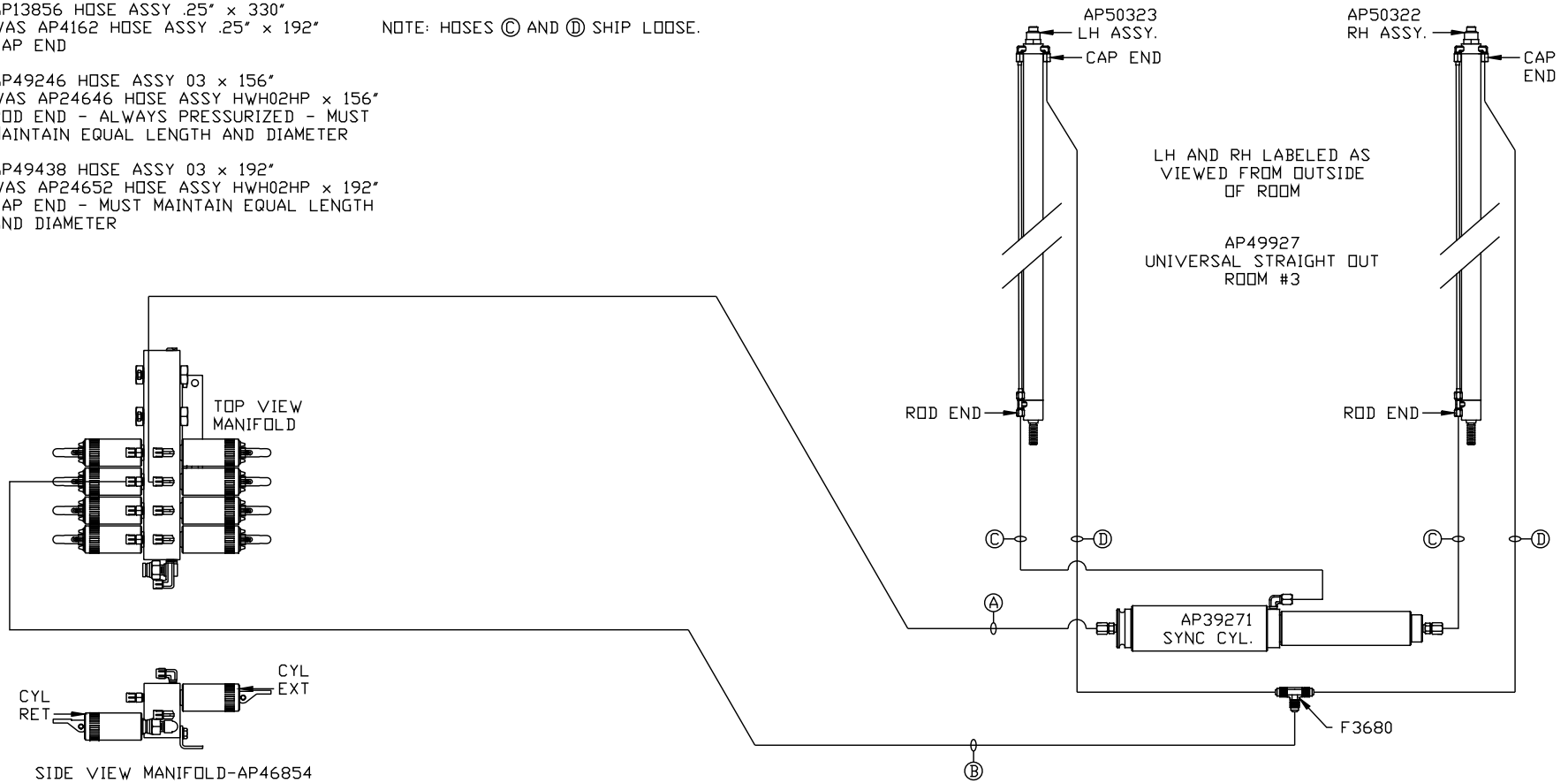
MP70520 C/F
24 JUN15

AP50210 HOSE KIT ROOM 3

- Ⓐ AP5561 HOSE ASSY .25" x 336"
ROD END - ALWAYS PRESSURIZED
- Ⓑ AP13856 HOSE ASSY .25" x 330"
WAS AP4162 HOSE ASSY .25" x 192"
CAP END
- Ⓒ AP49246 HOSE ASSY 03 x 156"
WAS AP24646 HOSE ASSY HWH02HP x 156"
ROD END - ALWAYS PRESSURIZED - MUST
MAINTAIN EQUAL LENGTH AND DIAMETER
- Ⓓ AP49438 HOSE ASSY 03 x 192"
WAS AP24652 HOSE ASSY HWH02HP x 192"
CAP END - MUST MAINTAIN EQUAL LENGTH
AND DIAMETER

NOTE: HOSE Ⓒ WAS AP49437 HOSE ASSY 03 x 144" AND
AP24639 HOSE ASSY HWH02HP x 96"
HOSE Ⓓ WAS AP4163 HOSE ASSY .25" x 360" AND
AP24644 HOSE ASSY HWH02HP x 132"

NOTE: HOSES Ⓒ AND Ⓓ SHIP LOOSE.



SIDE VIEW MANIFOLD-AP46854
LOCATION AND ORIENTATION OF
MANIFOLD ASSEMBLY WILL
DIFFER DEPENDING UPON O.E.M.

NOTE: INSTALLATION MUST CONFORM TO GOOD SHOP PRACTICES, SAE
STANDARDS, RVIA STANDARDS, AND OTHER APPLICABLE STANDARDS.

MP70520 D/F
24 JUN 15

AP50211 HOSE KIT ROOM 4

Ⓐ AP4827 HOSE ASSY .25" x 144"
ROD END - ALWAYS PRESSURIZED

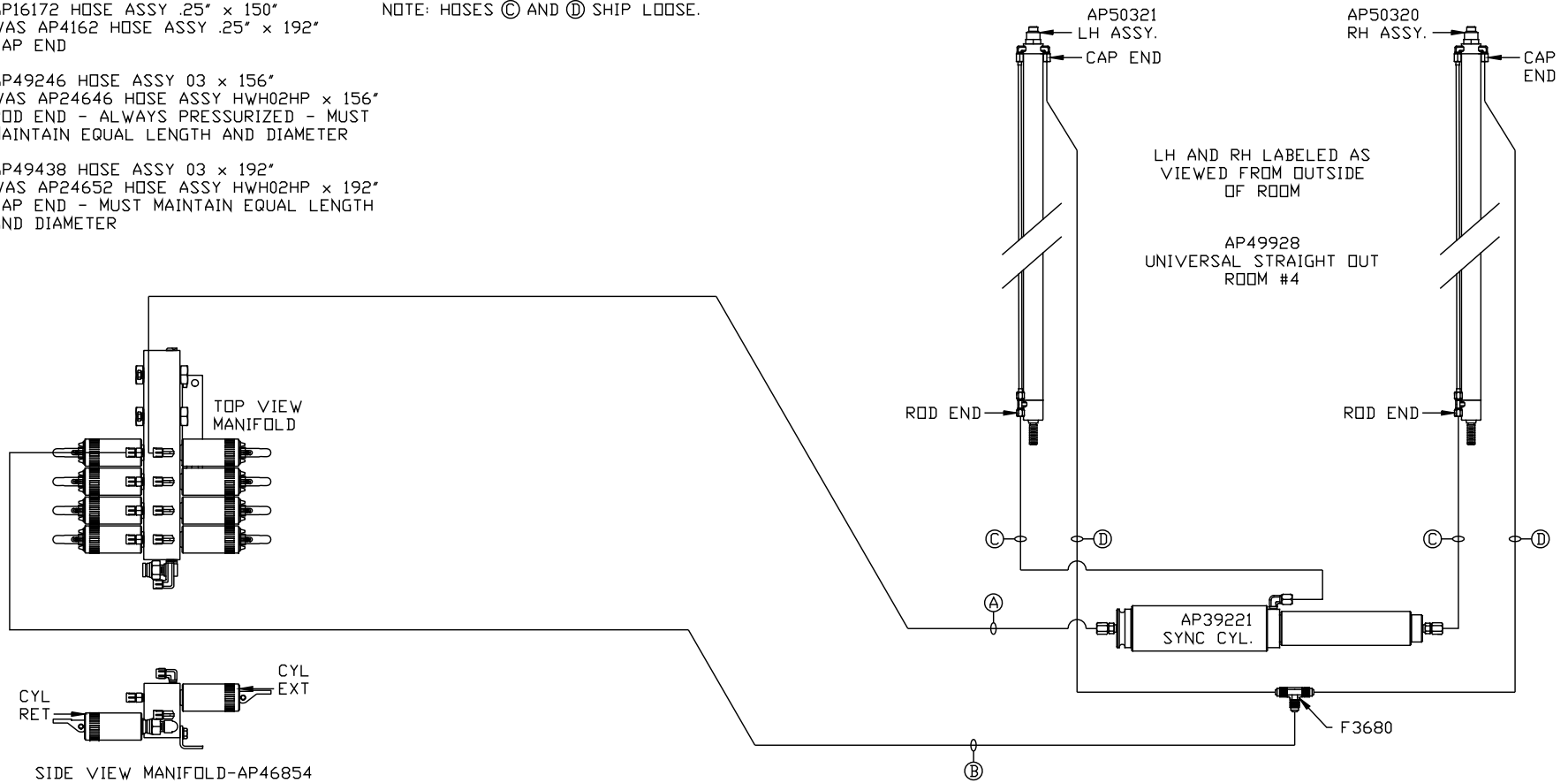
Ⓑ AP16172 HOSE ASSY .25" x 150"
WAS AP4162 HOSE ASSY .25" x 192"
CAP END

Ⓒ AP49246 HOSE ASSY 03 x 156"
WAS AP24646 HOSE ASSY HWH02HP x 156"
ROD END - ALWAYS PRESSURIZED - MUST
MAINTAIN EQUAL LENGTH AND DIAMETER

Ⓓ AP49438 HOSE ASSY 03 x 192"
WAS AP24652 HOSE ASSY HWH02HP x 192"
CAP END - MUST MAINTAIN EQUAL LENGTH
AND DIAMETER

NOTE: HOSE Ⓒ WAS AP49437 HOSE ASSY 03 x 144" AND
AP24639 HOSE ASSY HWH02HP x 96"
HOSE Ⓓ WAS AP4065 HOSE ASSY .25" x 156" AND
AP24644 HOSE ASSY HWH02HP x 132"

NOTE: HOSES Ⓒ AND Ⓓ SHIP LOOSE.



NOTE: INSTALLATION MUST CONFORM TO GOOD SHOP PRACTICES, SAE
STANDARDS, RVIA STANDARDS, AND OTHER APPLICABLE STANDARDS.

MP70520 E/F
24 JUN 15

