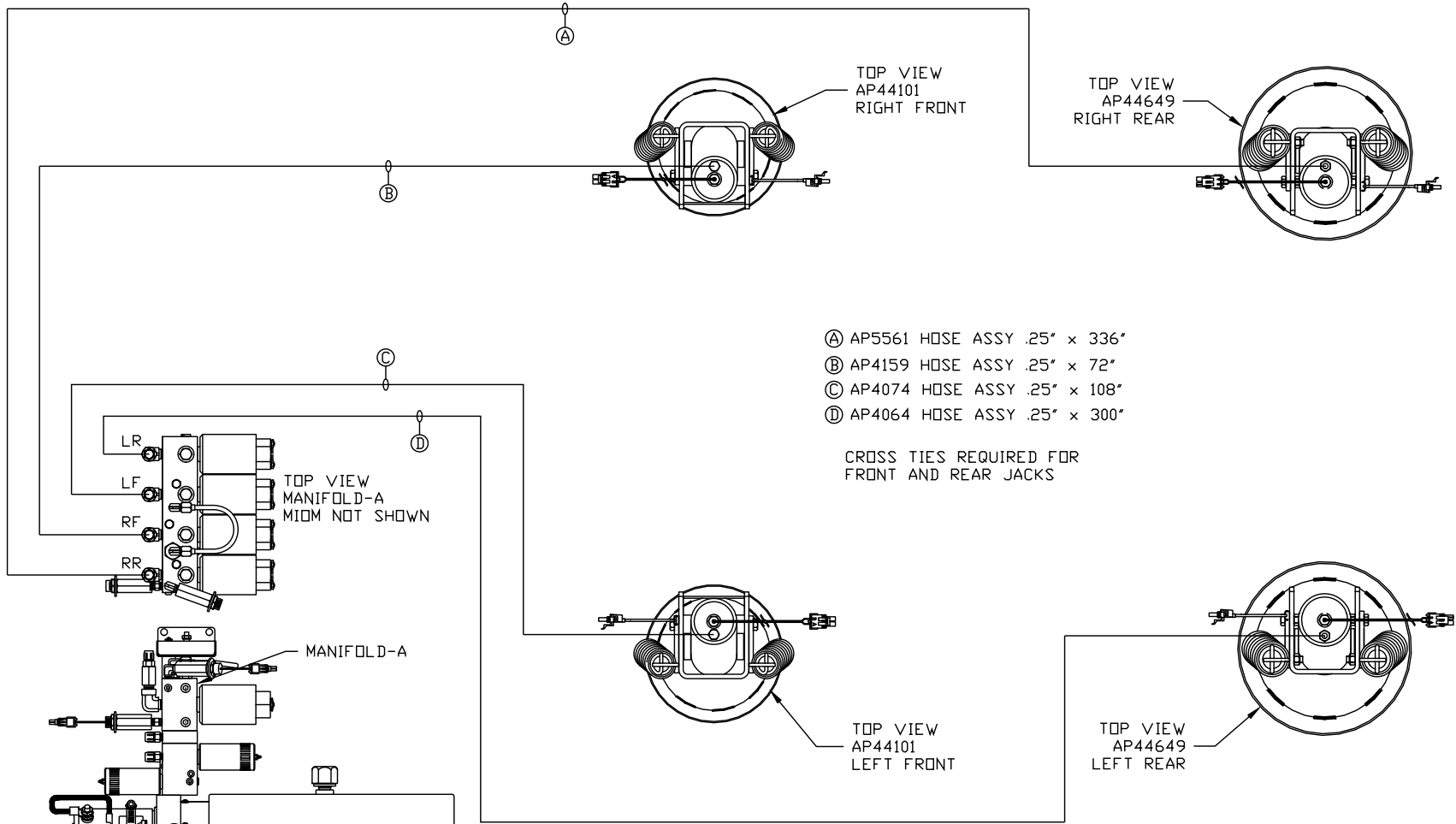
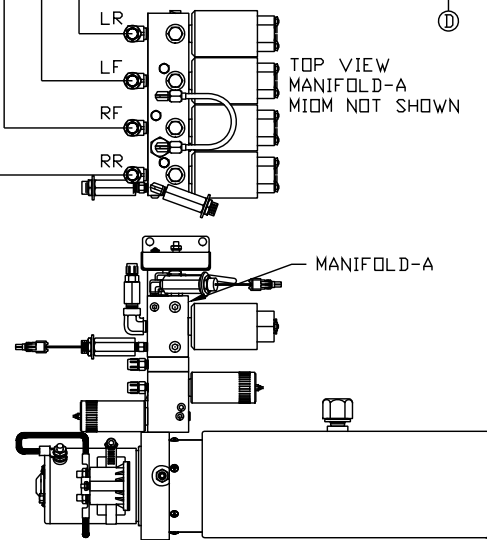


ORIENTATION
← FRONT



- Ⓐ AP5561 HOSE ASSY .25" x 336"
- Ⓑ AP4159 HOSE ASSY .25" x 72"
- Ⓒ AP4074 HOSE ASSY .25" x 108"
- Ⓓ AP4064 HOSE ASSY .25" x 300"

CROSS TIES REQUIRED FOR FRONT AND REAR JACKS



SIDE VIEW PUMP/MANIFOLD-AP50266
LOCATION AND ORIENTATION OF PUMP/MANIFOLD ASSEMBLY WILL DIFFER DEPENDING UPON O.E.M.

NOTE: INSTALLATION MUST CONFORM TO GOOD SHOP PRACTICES, SAE STANDARDS, RVIA STANDARDS, AND OTHER APPLICABLE STANDARDS.

NO.	DATE	REVISION
3	03MAY12	UPDATED HOSES
2	25APR12	UPDATED HOSES
1	11APR12	PUMP WAS AP49979

SYNC KIT: AP49752
PUMP KIT: AP49755
JACK KIT: AP48795

THE INFORMATION DISCLOSED ON THIS DRAWING IS CONFIDENTIAL AND MUST NOT BE DISCLOSED OR USED IN ANY MANNER WHICH WILL BE DETRIMENTAL TO THE HWH CORPORATION

HWH I-80 EXIT 267 SOUTH
RT 1 MOSCOW, IOWA 52760

SCALE 1:6 DATE 22MAR12 DRAWN BY .

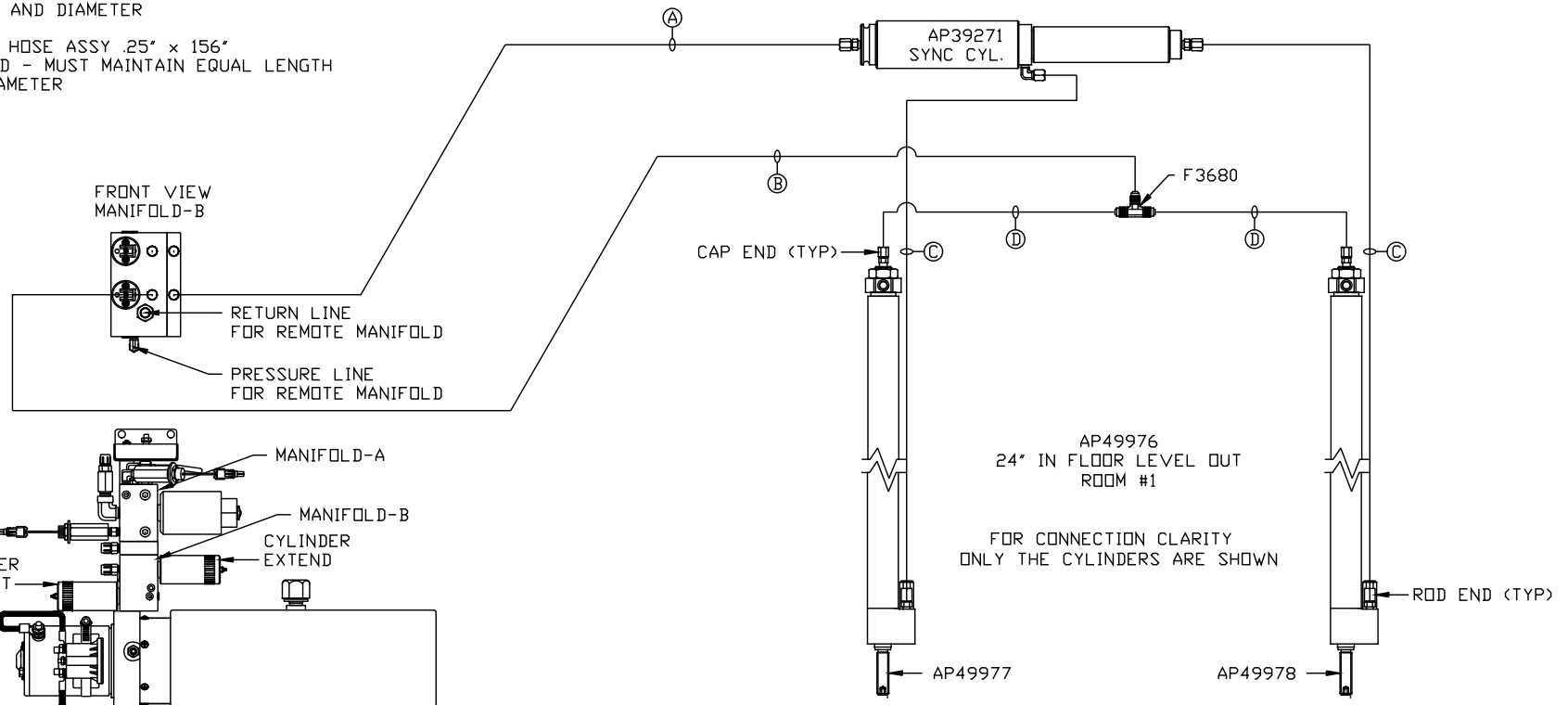
HYD CONN DIAGRAM

TIFFIN

DRAWING NUMBER MP70522 A/D

ORIENTATION
 ← FRONT

- Ⓐ AP1412 HOSE ASSY .25" x 84"
ROD END - ALWAYS PRESSURIZED
- Ⓑ AP5352 HOSE ASSY .25" x 96"
CAP END
- Ⓒ AP49517 HOSE ASSY 03" x 180"
ROD END - ALWAYS PRESSURIZED - MUST
BE HIGH PRESSURE HOSES OF EQUAL
LENGTH AND DIAMETER
- Ⓓ AP4065 HOSE ASSY .25" x 156"
CAP END - MUST MAINTAIN EQUAL LENGTH
AND DIAMETER



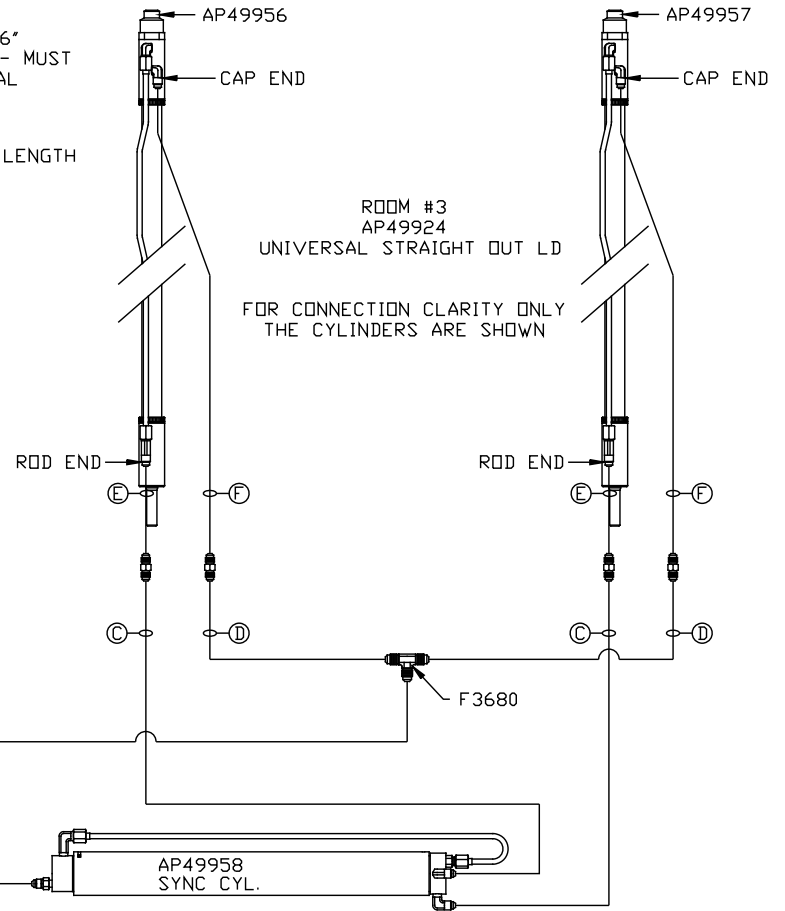
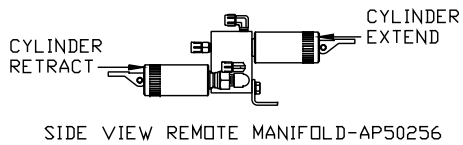
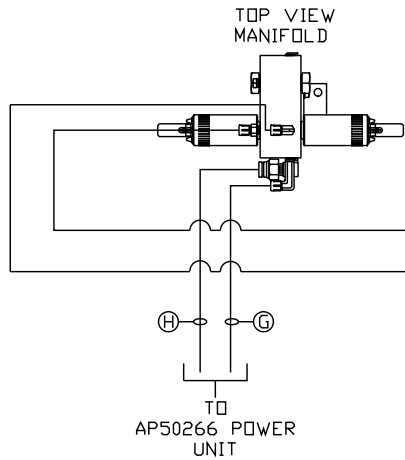
SIDE VIEW PUMP/MANIFOLD-AP50266
 LOCATION AND ORIENTATION OF
 PUMP/MANIFOLD ASSEMBLY WILL
 DIFFER DEPENDING UPON O.E.M.

NOTE: INSTALLATION MUST CONFORM TO GOOD SHOP PRACTICES, SAE
 STANDARDS, RVIA STANDARDS, AND OTHER APPLICABLE STANDARDS.

MP70522 B/D
 03MAY12

NOTE: HOSES (C) AND (F) ARE INCLUDED WITH THE ROOM EXTENSION MECHANISM

- (A) AP24630 HOSE ASSY HWH02HP x 36" ROD END - ALWAYS PRESSURIZED
- (B) AP48866 HOSE ASSY 03 x 36" CAP END
- (C) AP24642 HOSE ASSY HWH02HP x 120" ROD END - ALWAYS PRESSURIZED HOSES MUST BE HIGH PRESSURE HOSES OF EQUAL LENGTH AND DIAMETER
- (D) AP49245 HOSE ASSY 03 x 120" CAP END - HOSES MUST MAINTAIN EQUAL LENGTH AND DIAMETER
- (E) AP24630 HOSE ASSY HWH02HP x 36" ROD END - ALWAYS PRESSURIZED - MUST BE HIGH PRESSURE HOSES OF EQUAL LENGTH AND DIAMETER
- (F) AP48866 HOSE ASSY 03 x 36" CAP END - MUST MAINTAIN EQUAL LENGTH AND DIAMETER
- (G) AP5561 HOSE ASSY .25" x 336" PRESSURE TO REMOTE MANIFOLD
- (H) P50283 RETURN LINE .5" x 336" RETURN FROM REMOTE MANIFOLD



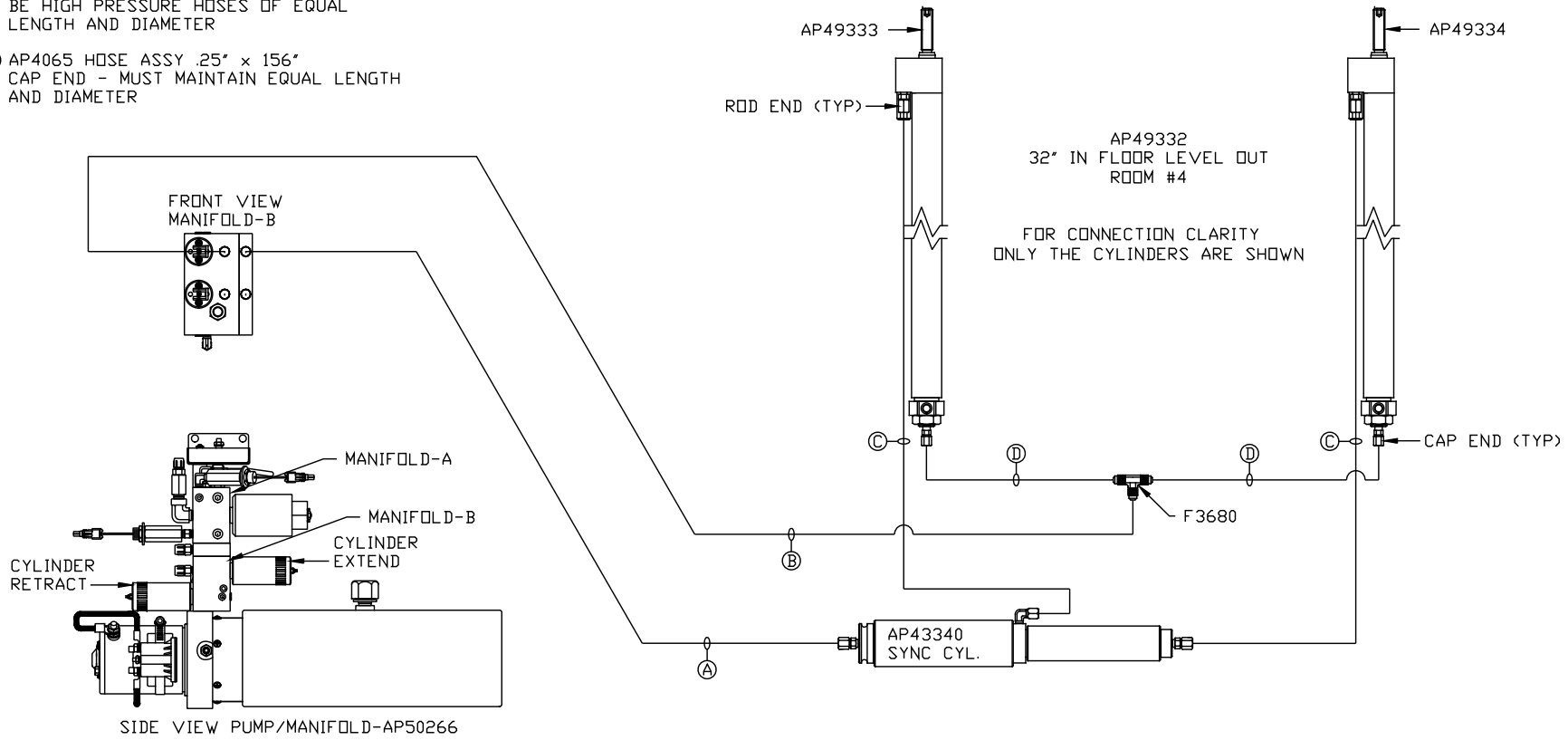
NOTE: INSTALLATION MUST CONFORM TO GOOD SHOP PRACTICES, SAE STANDARDS, RVIA STANDARDS, AND OTHER APPLICABLE STANDARDS.

MP70522 C/D
03MAY12

ORIENTATION

← FRONT

- Ⓐ AP4159 HOSE ASSY .25" x 72"
ROD END - ALWAYS PRESSURIZED
- Ⓑ AP5215 HOSE ASSY .25" x 78"
CAP END
- Ⓒ AP49246 HOSE ASSY 03" x 156"
ROD END - ALWAYS PRESSURIZED - MUST
BE HIGH PRESSURE HOSES OF EQUAL
LENGTH AND DIAMETER
- Ⓓ AP4065 HOSE ASSY .25" x 156"
CAP END - MUST MAINTAIN EQUAL LENGTH
AND DIAMETER



LOCATION AND ORIENTATION OF
PUMP/MANIFOLD ASSEMBLY WILL
DIFFER DEPENDING UPON O.E.M.

NOTE: INSTALLATION MUST CONFORM TO GOOD SHOP PRACTICES, SAE
STANDARDS, RVIA STANDARDS, AND OTHER APPLICABLE STANDARDS.

MP70522 D/D
03MAY12