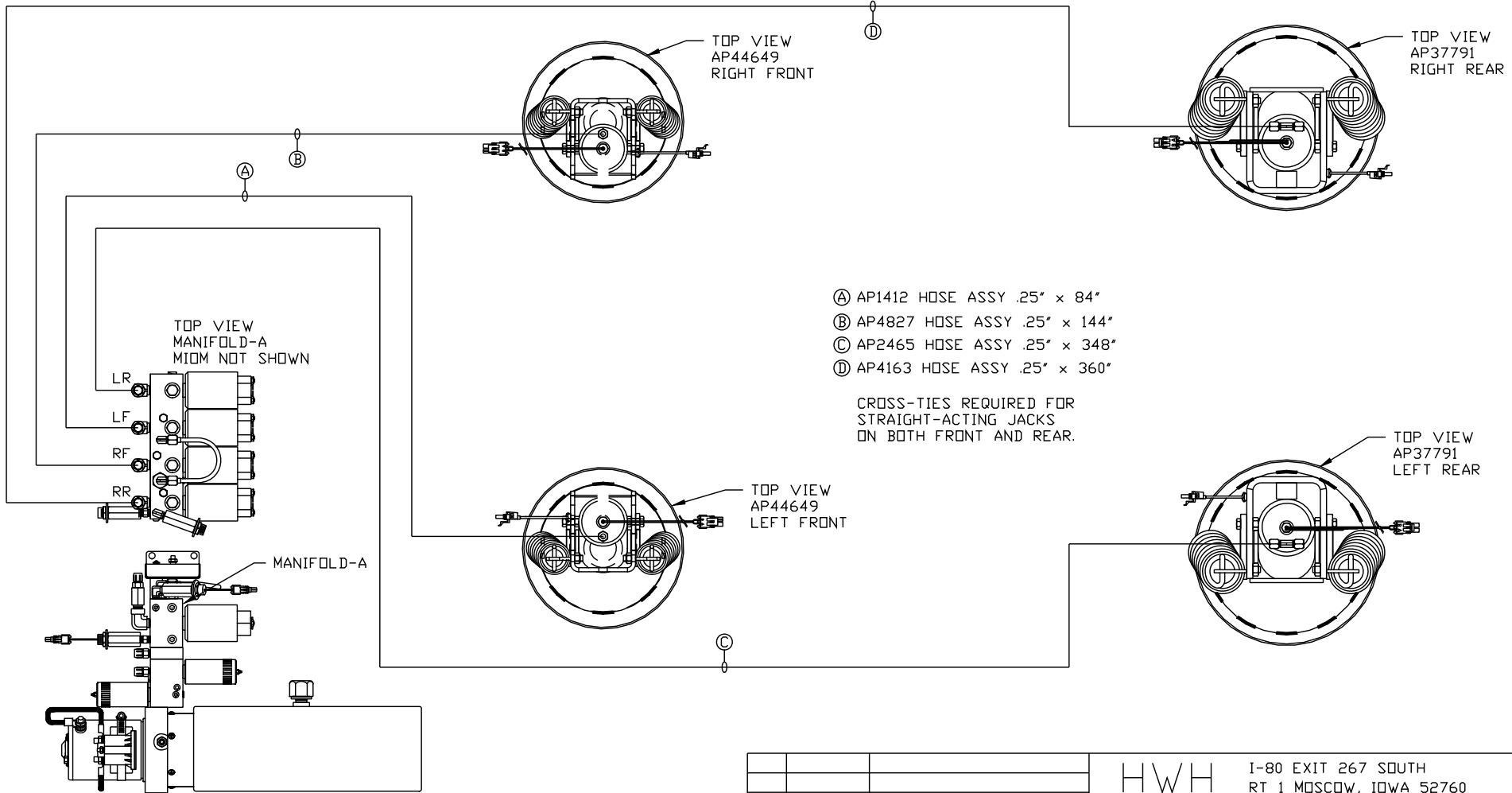
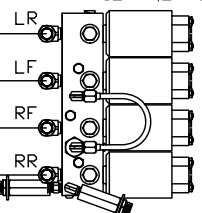


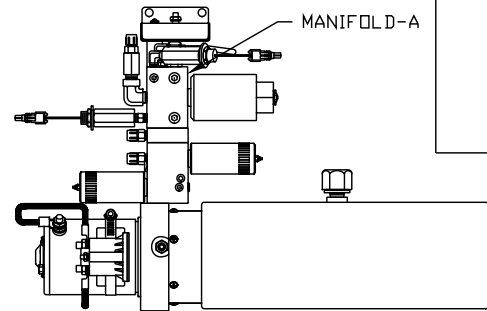
ORIENTATION  
← FRONT



TOP VIEW  
MANIFOLD-A  
MIDM NOT SHOWN



MANIFOLD-A



SIDE VIEW PUMP/MANIFOLD-AP50145

LOCATION AND ORIENTATION OF  
PUMP/MANIFOLD ASSEMBLY WILL  
DIFFER DEPENDING UPON O.E.M.

- Ⓐ AP1412 HOSE ASSY .25" x 84"
- Ⓑ AP4827 HOSE ASSY .25" x 144"
- Ⓒ AP2465 HOSE ASSY .25" x 348"
- Ⓓ AP4163 HOSE ASSY .25" x 360"

CROSS-TIES REQUIRED FOR  
STRAIGHT-ACTING JACKS  
ON BOTH FRONT AND REAR.

NOTE: INSTALLATION MUST CONFORM TO GOOD SHOP PRACTICES, SAE STANDARDS, RVIA STANDARDS, AND OTHER APPLICABLE STANDARDS.

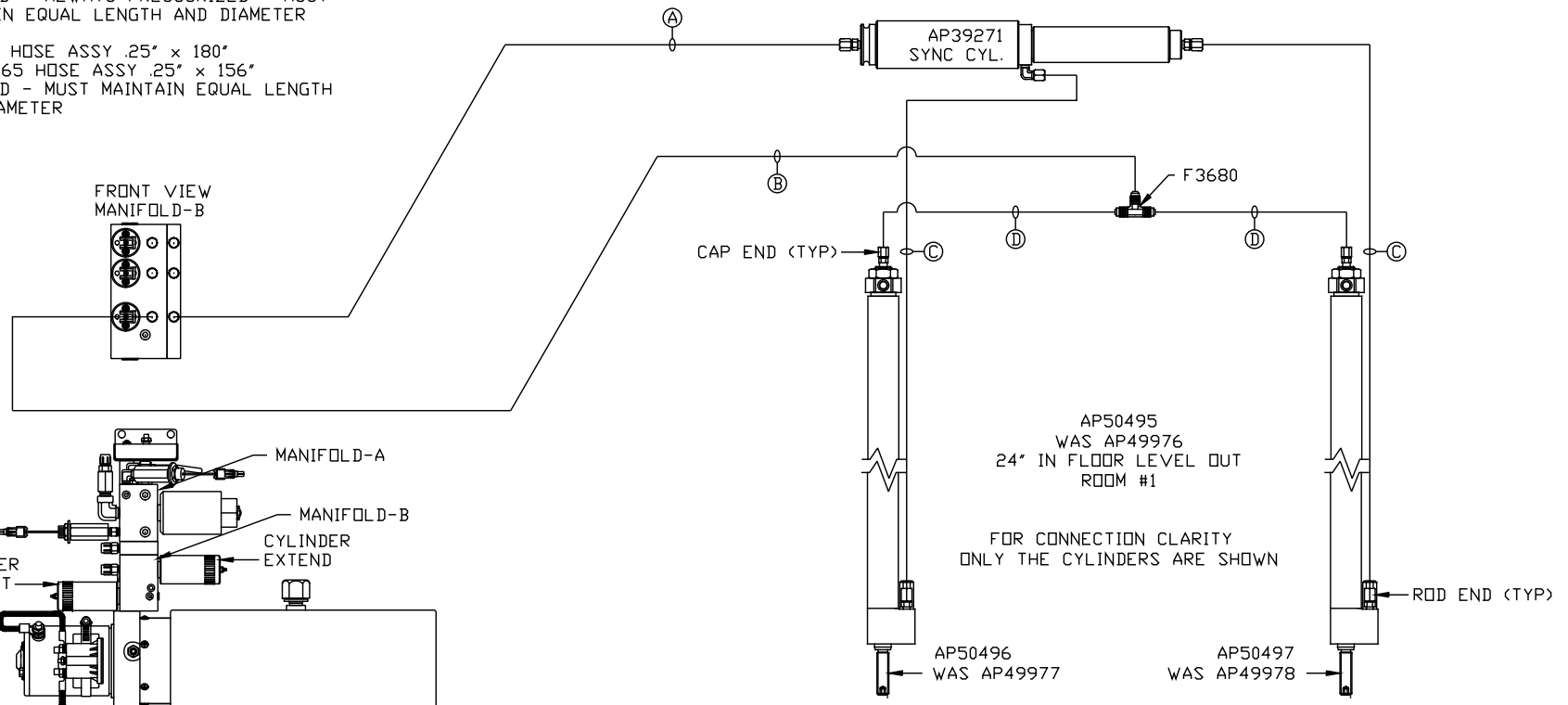
			HWH I-80 EXIT 267 SOUTH RT 1 MOSCOW, IOWA 52760		
			SCALE 1:6	DATE 22MAR12	DRAWN BY .
			HYD CONN DIAGRAM		
			TIFFIN		DRAWING NUMBER MP70523 A/D
SYNC KIT: AP50183	NO.	DATE	REVISION		
PUMP KIT: AP50182	THE INFORMATION DISCLOSED ON THIS DRAWING IS CONFIDENTIAL AND MUST NOT BE DISCLOSED OR USED IN ANY MANNER WHICH WILL BE DETRIMENTAL TO THE HWH CORPORATION				
JACK KIT: AP47705					

2	03AUG12	UP'D HOSES, ROOM
1	30APR12	UP'D HOSE CONNECTIONS

ORIENTATION

← FRONT

- Ⓐ AP4074 HOSE ASSY .25" x 108"  
WAS AP1412 HOSE ASSY .25" x 84"  
ROD END - ALWAYS PRESSURIZED
- Ⓑ AP4161 HOSE ASSY .25" x 120"  
WAS AP5352 HOSE ASSY .25" x 96"  
CAP END
- Ⓒ AP49517 HOSE ASSY 03 x 186"  
WAS AP49245 HOSE ASSY 03 x 120"  
ROD END - ALWAYS PRESSURIZED - MUST  
MAINTAIN EQUAL LENGTH AND DIAMETER
- Ⓓ AP5965 HOSE ASSY .25" x 180"  
WAS AP4065 HOSE ASSY .25" x 156"  
CAP END - MUST MAINTAIN EQUAL LENGTH  
AND DIAMETER



SIDE VIEW PUMP/MANIFOLD-AP50145

LOCATION AND ORIENTATION OF  
PUMP/MANIFOLD ASSEMBLY WILL  
DIFFER DEPENDING UPON O.E.M.

NOTE: INSTALLATION MUST CONFORM TO GOOD SHOP PRACTICES, SAE  
STANDARDS, RVIA STANDARDS, AND OTHER APPLICABLE STANDARDS.

NOTE: HOSES ③ AND ④ ARE INCLUDED WITH THE ROOM EXTENSION MECHANISM

Ⓐ AP10526 HOSE ASSY .25" x 366"  
WAS AP13851 HOSE ASSY .25" x 318"  
ROD END - ALWAYS PRESSURIZED

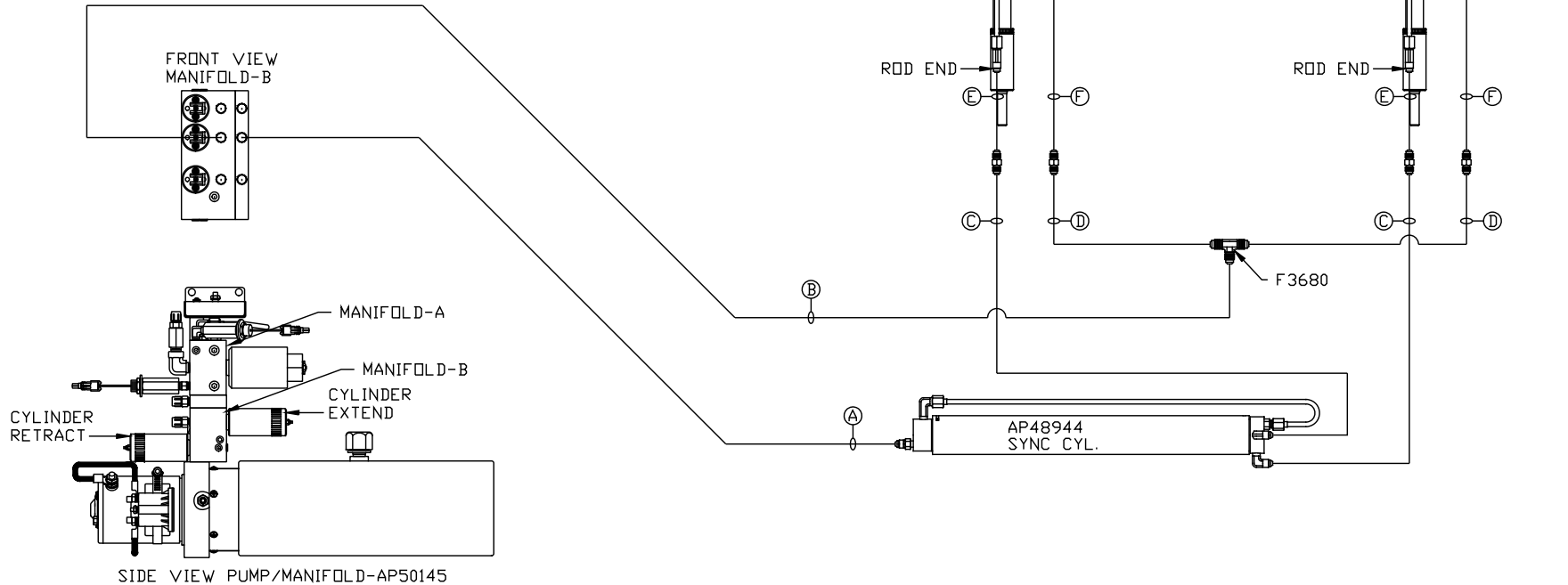
Ⓑ AP4312 HOSE ASSY .25" x 378"  
WAS AP13856 HOSE ASSY .25" x 330"  
CAP END

Ⓒ AP49439 HOSE ASSY 03 x 132"  
ROD END - ALWAYS PRESSURIZED  
HOSES MUST MAINTAIN EQUAL LENGTH  
AND DIAMETER

Ⓓ AP4062 HOSE ASSY .25" x 132"  
CAP END - HOSES MUST MAINTAIN  
EQUAL LENGTH AND DIAMETER

Ⓔ AP48866 HOSE ASSY 03 x 36"  
ROD END - ALWAYS PRESSURIZED  
HOSES MUST MAINTAIN EQUAL LENGTH  
AND DIAMETER

Ⓕ AP4059 HOSE ASSY .25" x 36"  
CAP END - MUST MAINTAIN EQUAL LENGTH  
AND DIAMETER



LOCATION AND ORIENTATION OF  
PUMP/MANIFOLD ASSEMBLY WILL  
DIFFER DEPENDING UPON O.E.M.

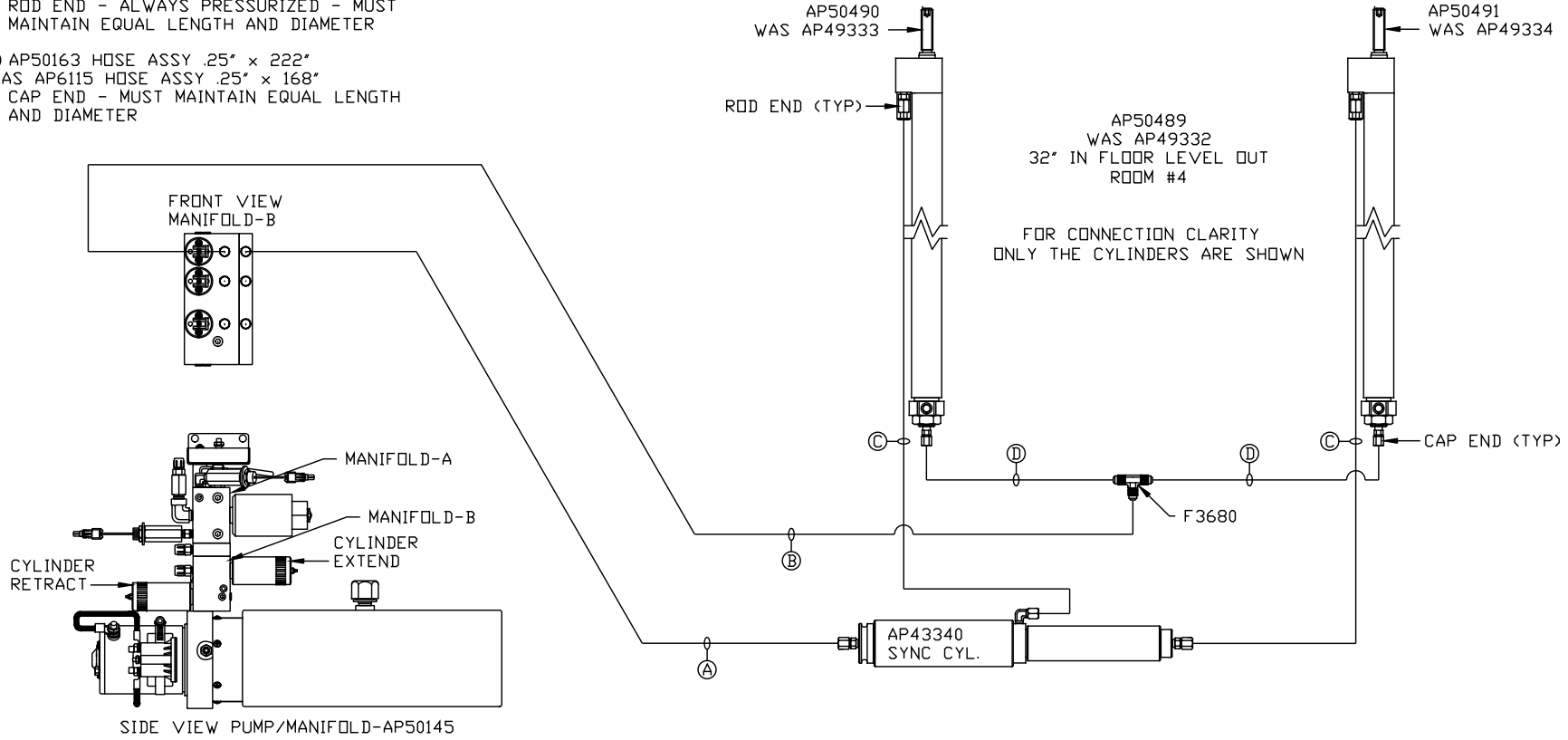
NOTE: INSTALLATION MUST CONFORM TO GOOD SHOP PRACTICES, SAE  
STANDARDS, RVIA STANDARDS, AND OTHER APPLICABLE STANDARDS.

MP70523 C/D  
03AUG12

ORIENTATION

← FRONT

- Ⓐ AP5352 HOSE ASSY .25" x 96"  
WAS AP4159 HOSE ASSY .25" x 72"  
ROD END - ALWAYS PRESSURIZED
- Ⓑ AP10566 HOSE ASSY .25" x 102"  
WAS AP5215 HOSE ASSY .25" x 78"  
CAP END
- Ⓒ AP4310 HOSE ASSY 03 x 204"  
WAS AP49245 HOSE ASSY 03 x 120"  
ROD END - ALWAYS PRESSURIZED - MUST  
MAINTAIN EQUAL LENGTH AND DIAMETER
- Ⓓ AP50163 HOSE ASSY .25" x 222"  
WAS AP6115 HOSE ASSY .25" x 168"  
CAP END - MUST MAINTAIN EQUAL LENGTH  
AND DIAMETER



LOCATION AND ORIENTATION OF  
PUMP/MANIFOLD ASSEMBLY WILL  
DIFFER DEPENDING UPON O.E.M.

NOTE: INSTALLATION MUST CONFORM TO GOOD SHOP PRACTICES, SAE  
STANDARDS, RVIA STANDARDS, AND OTHER APPLICABLE STANDARDS.