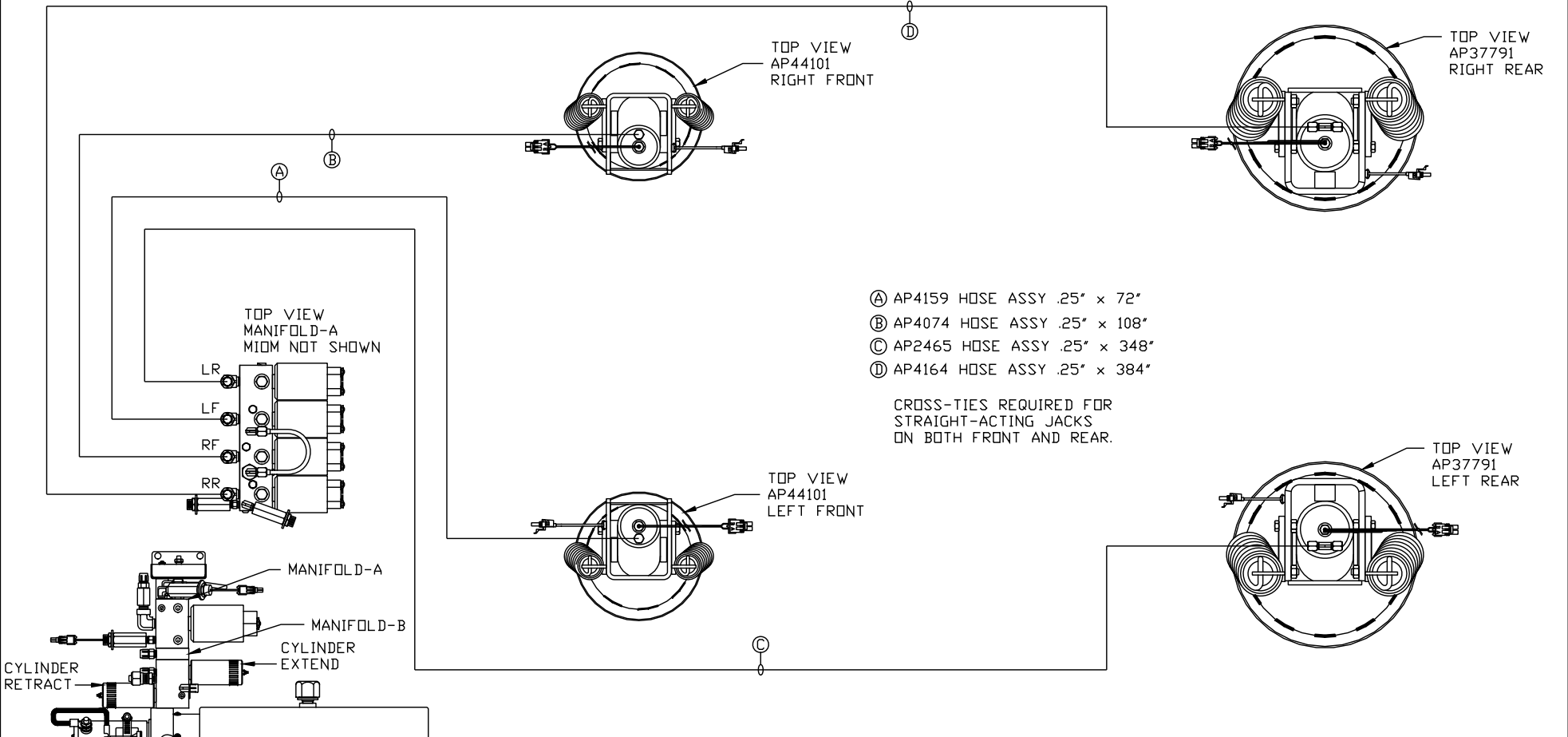
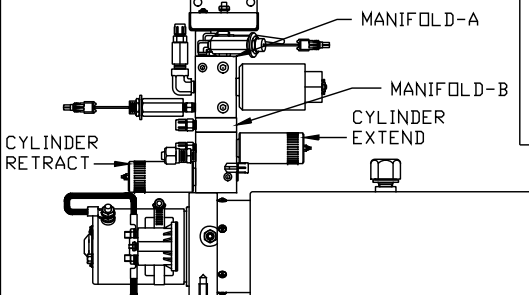


ORIENTATION
 ← FRONT



- Ⓐ AP4159 HOSE ASSY .25" x 72"
- Ⓑ AP4074 HOSE ASSY .25" x 108"
- Ⓒ AP2465 HOSE ASSY .25" x 348"
- Ⓓ AP4164 HOSE ASSY .25" x 384"

CROSS-TIES REQUIRED FOR STRAIGHT-ACTING JACKS ON BOTH FRONT AND REAR.



SIDE VIEW PUMP/MANIFOLD-AP50265

LOCATION AND ORIENTATION OF PUMP/MANIFOLD ASSEMBLY WILL DIFFER DEPENDING UPON O.E.M.

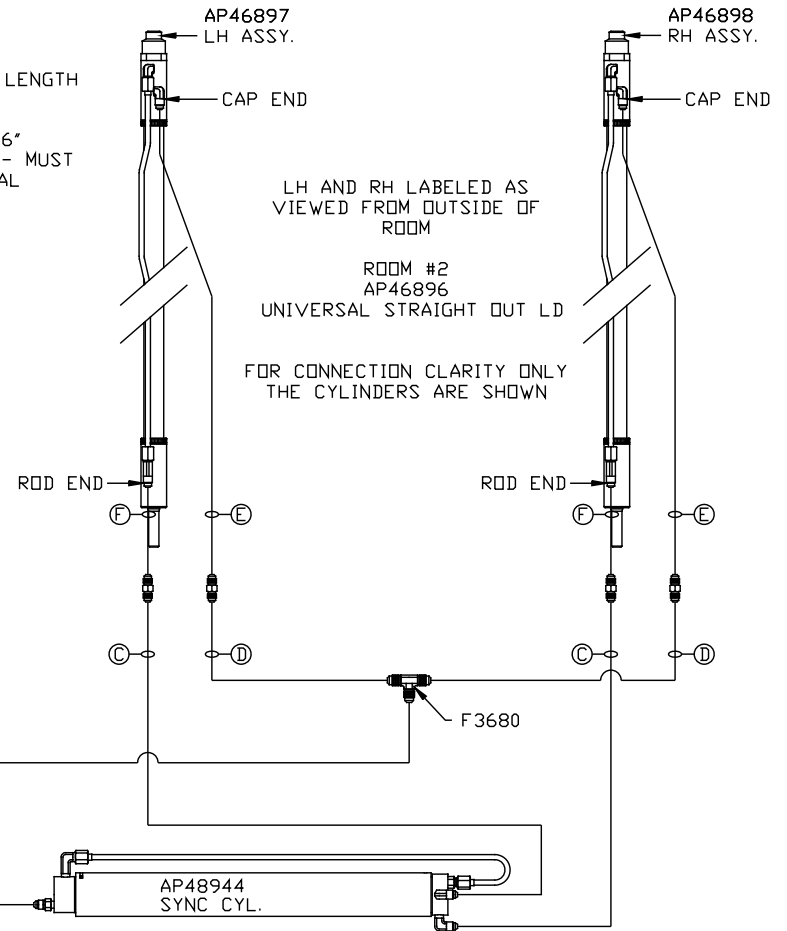
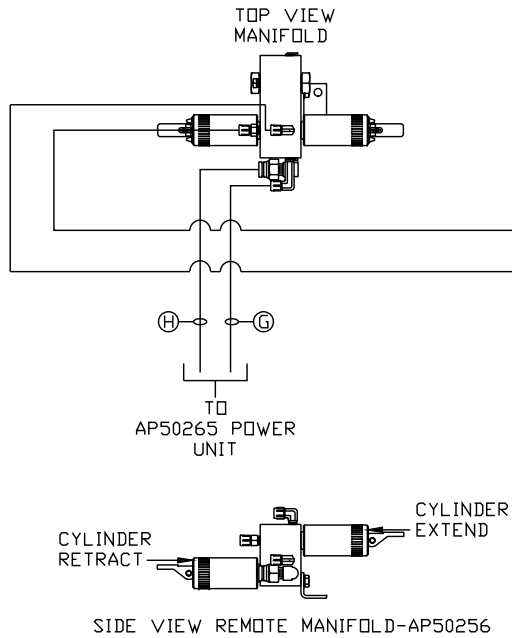
NOTE: INSTALLATION MUST CONFORM TO GOOD SHOP PRACTICES, SAE STANDARDS, RVIA STANDARDS, AND OTHER APPLICABLE STANDARDS.

NO.	DATE	REVISION
△	03MAY12	WAS AP41194, AP5212
SYNC KIT:	AP49370	
PUMP KIT:	AP49375	
JACK KIT:	AP48796	

HWH			I-80 EXIT 267 SOUTH RT 1 MOSCOW, IOWA 52760		
SCALE 1:6	DATE 11APR12	DRAWN BY .			
HYD CONN DIAGRAM					
TIFFIN				DRAWING NUMBER MP70526 A/C	

NOTE: HOSES (C) AND (F) ARE INCLUDED WITH THE ROOM EXTENSION MECHANISM

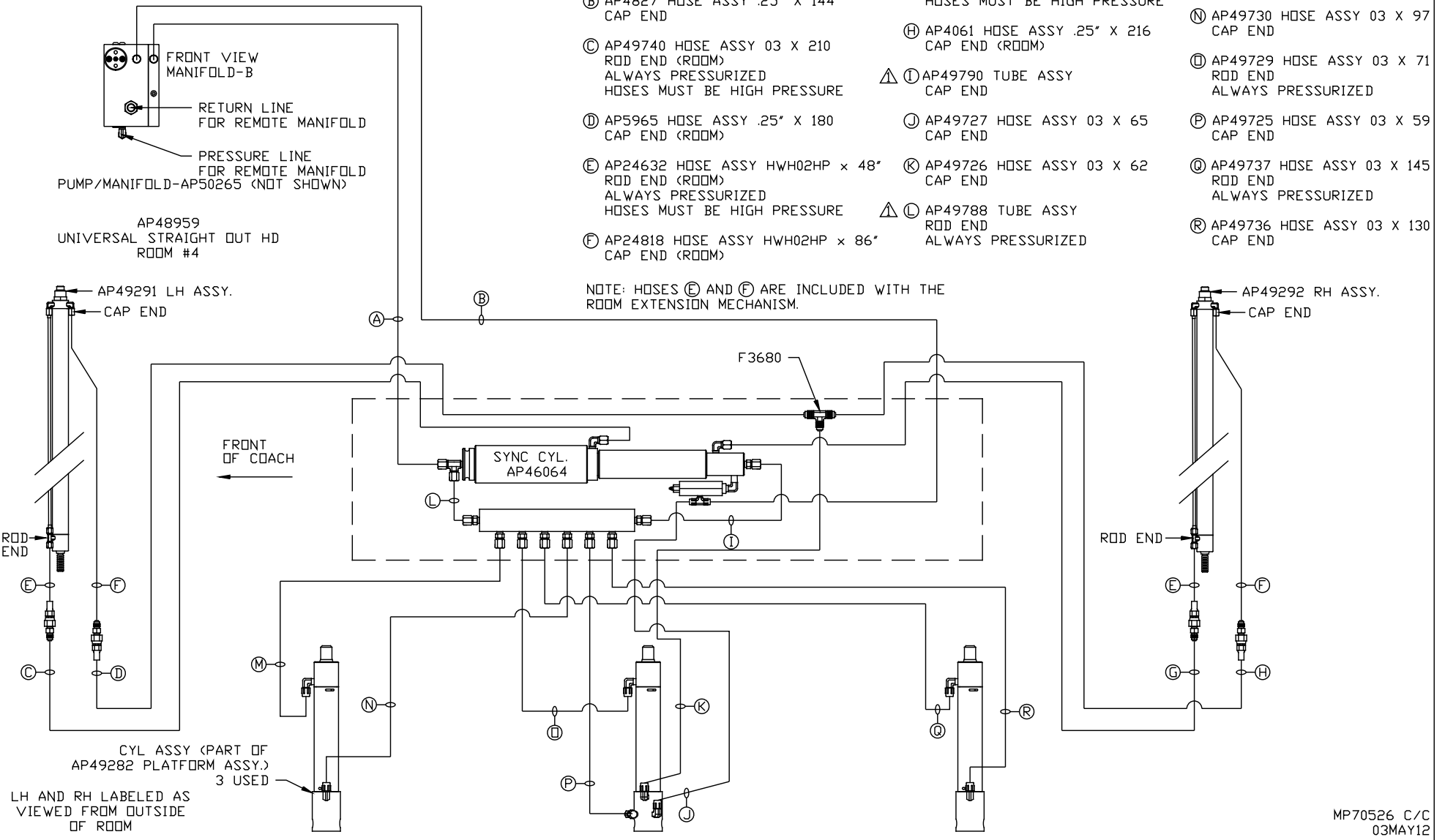
- (A) AP24639 HOSE ASSY HWH02HP x 96" ROD END - ALWAYS PRESSURIZED
- (B) AP49244 HOSE ASSY 03 x 108" CAP END
- (C) AP24639 HOSE ASSY HWH02HP x 96" ROD END - ALWAYS PRESSURIZED HOSES MUST BE HIGH PRESSURE HOSES OF EQUAL LENGTH AND DIAMETER
- (D) AP49417 HOSE ASSY 03 x 96" CAP END - HOSES MUST MAINTAIN EQUAL LENGTH AND DIAMETER
- (E) AP48866 HOSE ASSY 03 x 36" CAP END - MUST MAINTAIN EQUAL LENGTH AND DIAMETER
- (F) AP24630 HOSE ASSY HWH02HP x 36" ROD END - ALWAYS PRESSURIZED - MUST BE HIGH PRESSURE HOSES OF EQUAL LENGTH AND DIAMETER
- (G) AP6117 HOSE ASSY .25" x 432" PRESSURE TO REMOTE MANIFOLD
- (H) P49011 RETURN LINE .5" x 432" RETURN FROM REMOTE MANIFOLD



NOTE: INSTALLATION MUST CONFORM TO GOOD SHOP PRACTICES, SAE STANDARDS, RVIA STANDARDS, AND OTHER APPLICABLE STANDARDS.

MP70526 B/C
11APR12

NOTE: INSTALLATION MUST CONFORM TO GOOD SHOP PRACTICES, SAE STANDARDS, RVIA STANDARDS, AND OTHER APPLICABLE STANDARDS.



Ⓐ AP4062 HOSE ASSY .25" X 132
ROD END - ALWAYS PRESSURIZED

Ⓑ AP4827 HOSE ASSY .25" X 144
CAP END

Ⓒ AP49740 HOSE ASSY 03 X 210
ROD END (ROOM)
ALWAYS PRESSURIZED
HOSES MUST BE HIGH PRESSURE

Ⓓ AP5965 HOSE ASSY .25" X 180
CAP END (ROOM)

Ⓔ AP24632 HOSE ASSY HWH02HP x 48"
ROD END (ROOM)
ALWAYS PRESSURIZED
HOSES MUST BE HIGH PRESSURE

Ⓕ AP24818 HOSE ASSY HWH02HP x 86"
CAP END (ROOM)

Ⓖ AP49739 HOSE ASSY 03 X 204
ROD END (ROOM)
ALWAYS PRESSURIZED
HOSES MUST BE HIGH PRESSURE

Ⓗ AP4061 HOSE ASSY .25" X 216
CAP END (ROOM)

⚠ Ⓘ AP49790 TUBE ASSY
CAP END

Ⓛ AP49727 HOSE ASSY 03 X 65
CAP END

Ⓚ AP49726 HOSE ASSY 03 X 62
CAP END

⚠ Ⓛ AP49788 TUBE ASSY
ROD END
ALWAYS PRESSURIZED

Ⓜ AP49733 HOSE ASSY 03 X 114
ROD END
ALWAYS PRESSURIZED

Ⓝ AP49730 HOSE ASSY 03 X 97
CAP END

Ⓣ AP49729 HOSE ASSY 03 X 71
ROD END
ALWAYS PRESSURIZED

Ⓟ AP49725 HOSE ASSY 03 X 59
CAP END

Ⓡ AP49737 HOSE ASSY 03 X 145
ROD END
ALWAYS PRESSURIZED

Ⓡ AP49736 HOSE ASSY 03 X 130
CAP END

NOTE: HOSES Ⓔ AND Ⓕ ARE INCLUDED WITH THE ROOM EXTENSION MECHANISM.