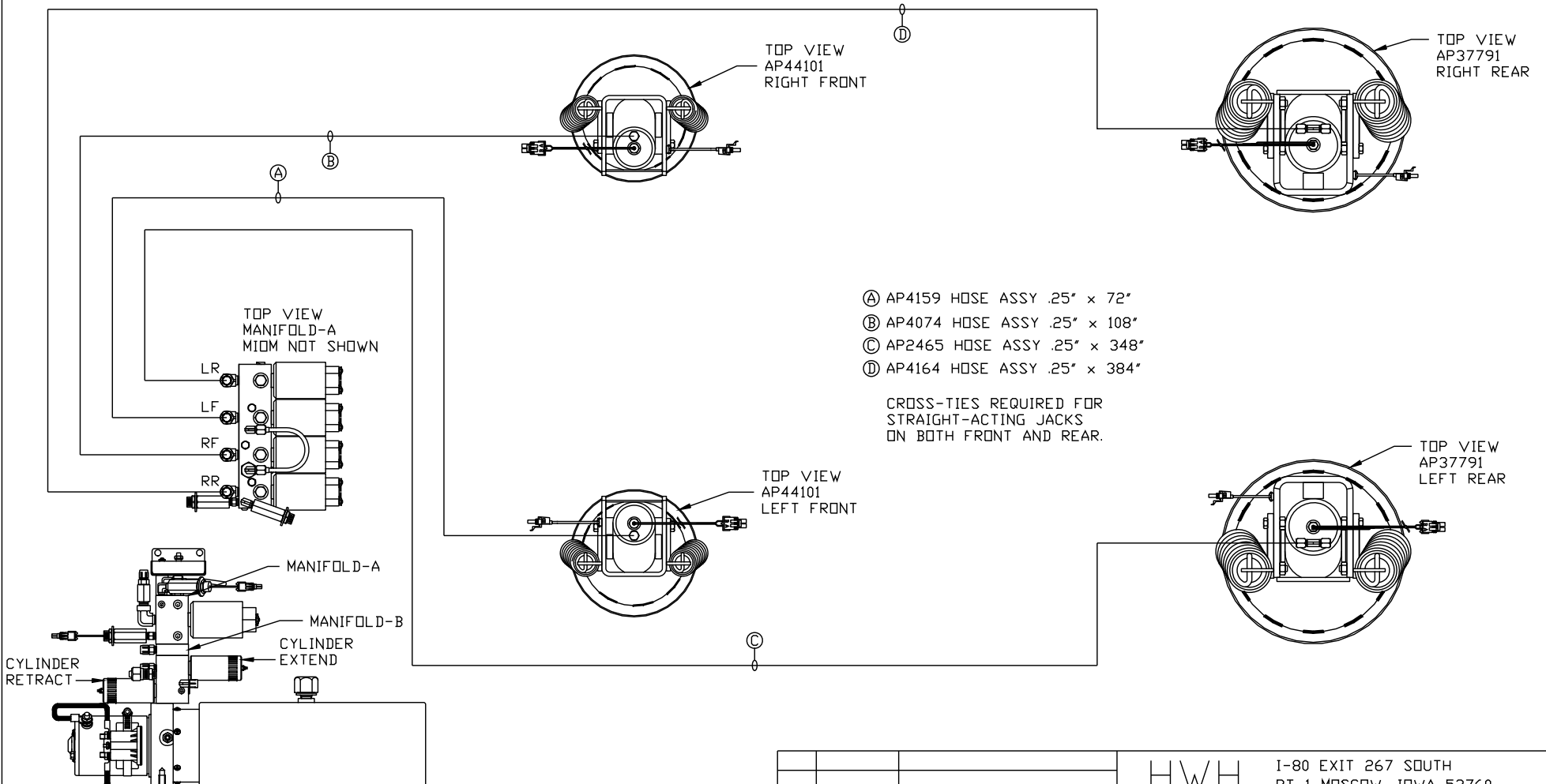


ORIENTATION
← FRONT



LOCATION AND ORIENTATION OF PUMP/MANIFOLD ASSEMBLY WILL DIFFER DEPENDING UPON O.E.M.

NOTE: INSTALLATION MUST CONFORM TO GOOD SHOP PRACTICES, SAE STANDARDS, RVIA STANDARDS, AND OTHER APPLICABLE STANDARDS.

2	05FEB13	UP'D SYNC AND REMOTE
1	20SEP12	UPDATED ROOMS
NO.	DATE	REVISION
SYNC KIT: AP50410		
PUMP KIT: AP50409	THE INFORMATION DISCLOSED ON THIS DRAWING IS CONFIDENTIAL AND MUST NOT BE DISCLOSED OR USED IN ANY MANNER WHICH WILL BE DETRIMENTAL TO THE HWH CORPORATION	
JACK KIT: AP48796		

HWH I-80 EXIT 267 SOUTH
RT 1 MOSCOW, IOWA 52760

SCALE 1:6 DATE 23MAY12 DRAWN BY .

HYD CONN DIAGRAM

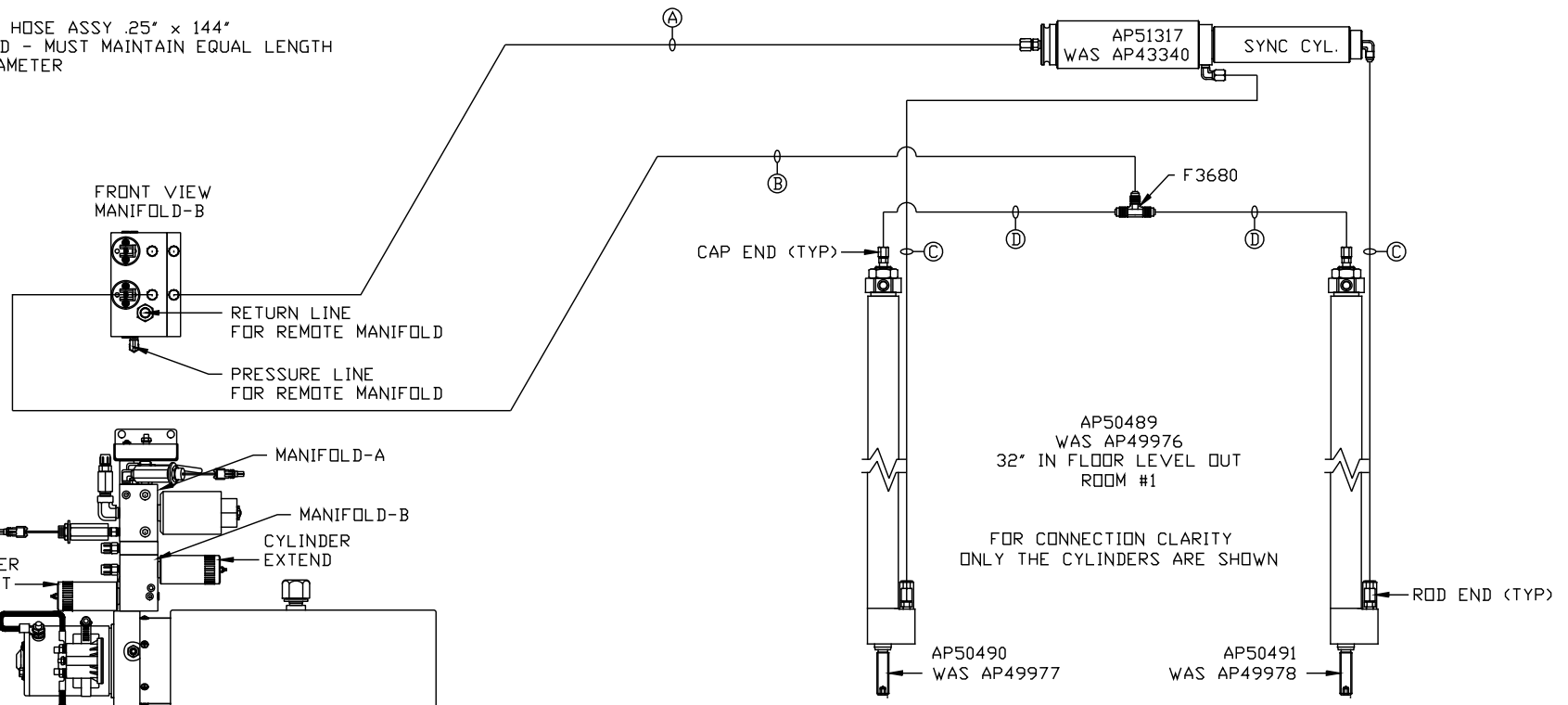
TIFFIN

DRAWING NUMBER MP70536 A/D

ORIENTATION

← FRONT

- Ⓐ AP5352 HOSE ASSY .25" x 96"
ROD END - ALWAYS PRESSURIZED
- Ⓑ AP4073 HOSE ASSY .25" x 60"
CAP END
- Ⓒ AP49246 HOSE ASSY 03" x 156"
ROD END - ALWAYS PRESSURIZED - MUST
MAINTAIN EQUAL LENGTH AND DIAMETER
- Ⓓ AP4827 HOSE ASSY .25" x 144"
CAP END - MUST MAINTAIN EQUAL LENGTH
AND DIAMETER



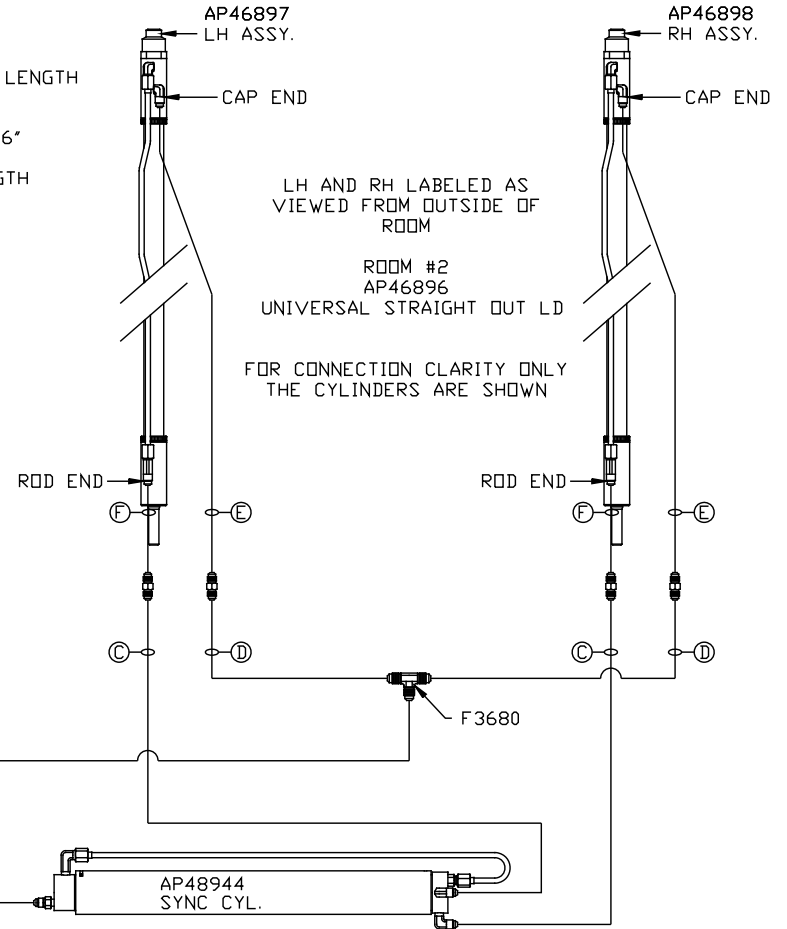
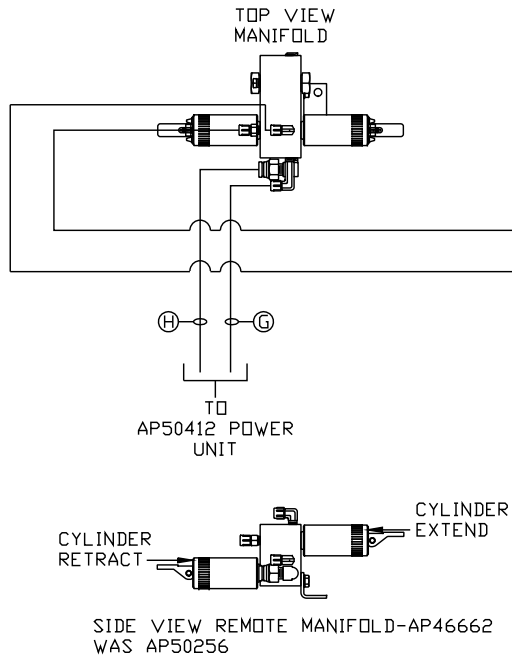
SIDE VIEW PUMP/MANIFOLD-AP50412

LOCATION AND ORIENTATION OF
PUMP/MANIFOLD ASSEMBLY WILL
DIFFER DEPENDING UPON O.E.M.

NOTE: INSTALLATION MUST CONFORM TO GOOD SHOP PRACTICES, SAE
STANDARDS, RVIA STANDARDS, AND OTHER APPLICABLE STANDARDS.

NOTE: HOSES (C) AND (F) ARE INCLUDED WITH THE ROOM EXTENSION MECHANISM

- (A) AP24639 HOSE ASSY HWH02HP x 96" ROD END - ALWAYS PRESSURIZED
- (B) AP49244 HOSE ASSY 03 x 108" CAP END
- (C) AP24639 HOSE ASSY HWH02HP x 96" ROD END - ALWAYS PRESSURIZED HOSES MUST MAINTAIN EQUAL LENGTH AND DIAMETER
- (D) AP49417 HOSE ASSY 03 x 96" CAP END - HOSES MUST MAINTAIN EQUAL LENGTH AND DIAMETER
- (E) AP48866 HOSE ASSY 03 x 36" CAP END - MUST MAINTAIN EQUAL LENGTH AND DIAMETER
- (F) AP24630 HOSE ASSY HWH02HP x 36" ROD END - ALWAYS PRESSURIZED HOSES MUST MAINTAIN EQUAL LENGTH AND DIAMETER
- (G) AP6117 HOSE ASSY .25" x 432" PRESSURE TO REMOTE MANIFOLD
- (H) P49011 RETURN LINE .5" x 432" RETURN FROM REMOTE MANIFOLD



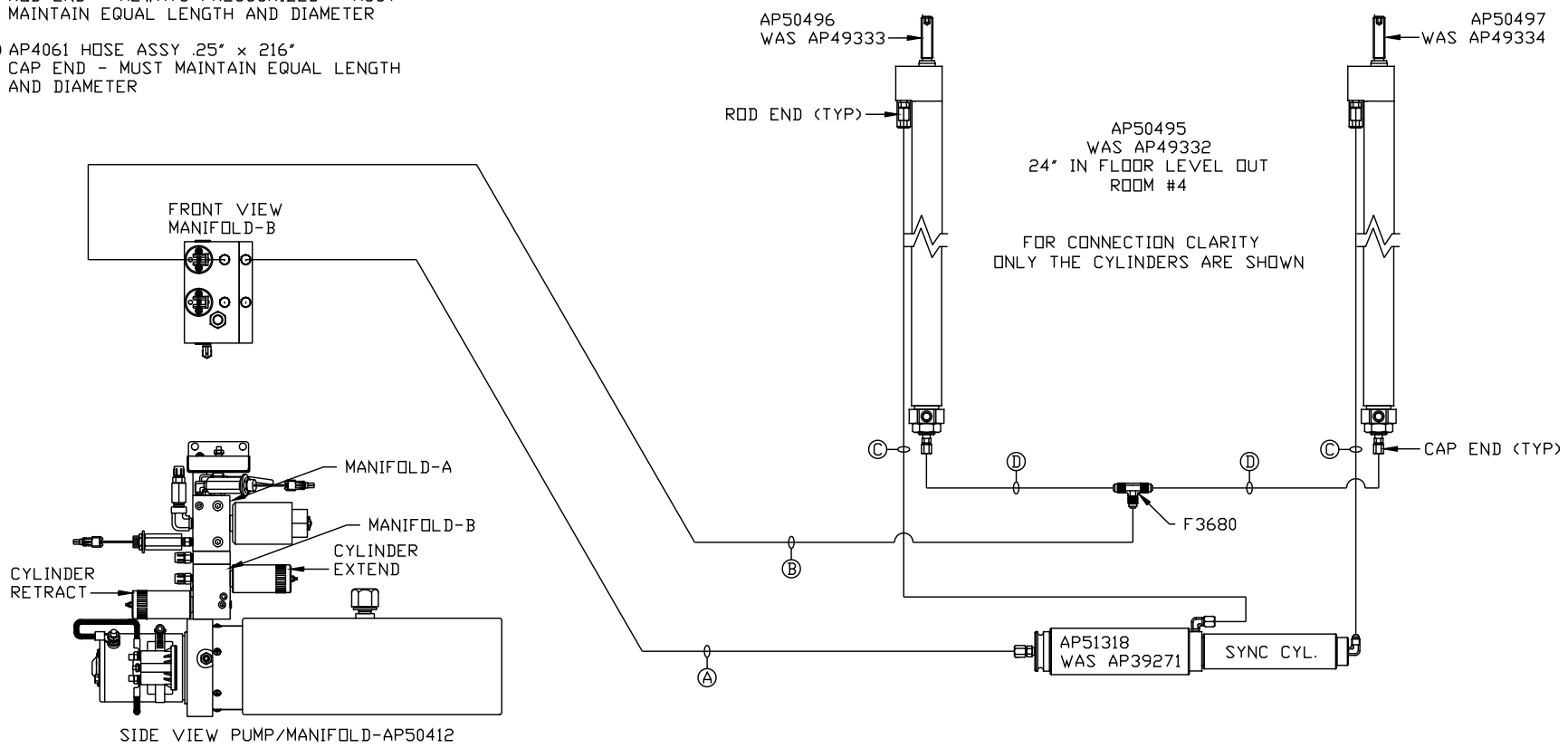
NOTE: INSTALLATION MUST CONFORM TO GOOD SHOP PRACTICES, SAE STANDARDS, RVIA STANDARDS, AND OTHER APPLICABLE STANDARDS.

MP70536 C/D
05FEB13

ORIENTATION

← FRONT

- Ⓐ AP4074 HOSE ASSY .25" x 108"
ROD END - ALWAYS PRESSURIZED
- Ⓑ AP4159 HOSE ASSY .25" x 72"
CAP END
- Ⓒ AP49438 HOSE ASSY 03" x 192"
ROD END - ALWAYS PRESSURIZED - MUST
MAINTAIN EQUAL LENGTH AND DIAMETER
- Ⓓ AP4061 HOSE ASSY .25" x 216"
CAP END - MUST MAINTAIN EQUAL LENGTH
AND DIAMETER



LOCATION AND ORIENTATION OF
PUMP/MANIFOLD ASSEMBLY WILL
DIFFER DEPENDING UPON O.E.M.

NOTE: INSTALLATION MUST CONFORM TO GOOD SHOP PRACTICES, SAE
STANDARDS, RVIA STANDARDS, AND OTHER APPLICABLE STANDARDS.