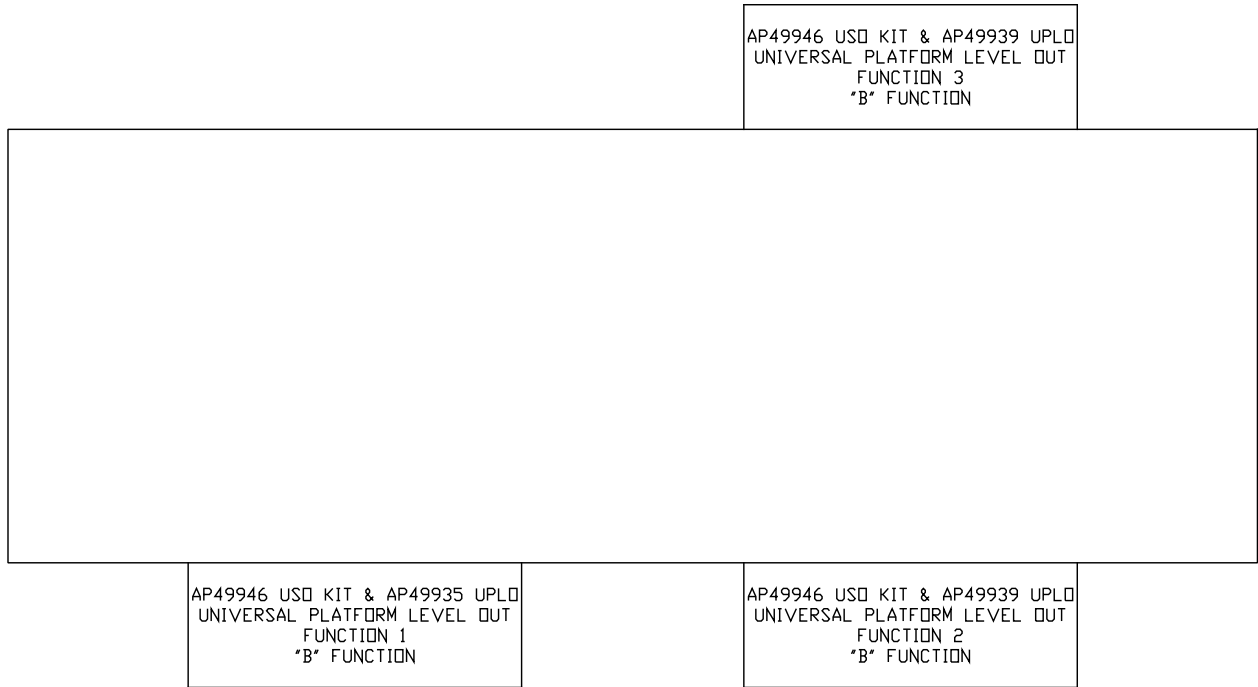


ORIENTATION
 ← FRONT

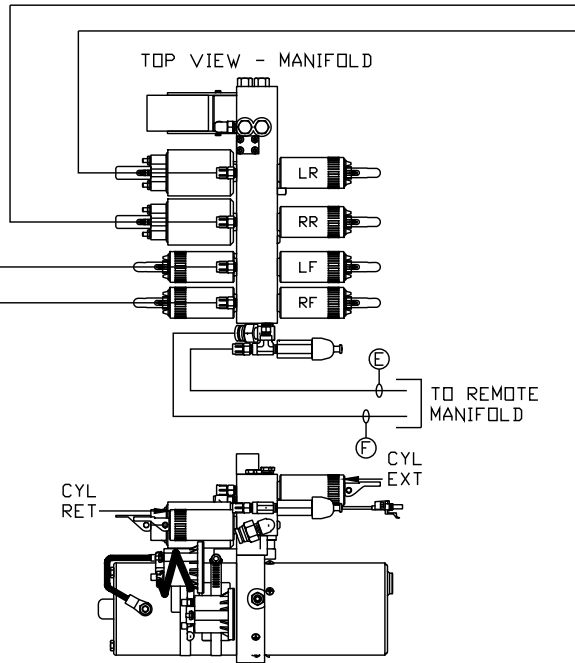
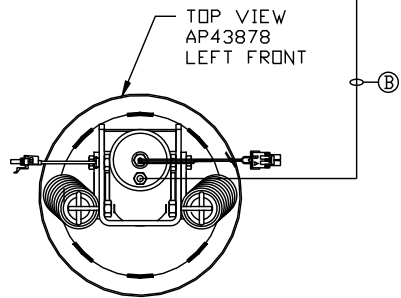
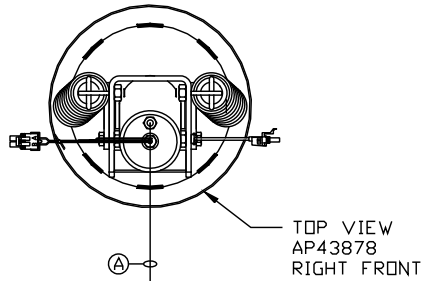


NOTE: INSTALLATION MUST CONFORM TO GOOD SHOP PRACTICES, SAE STANDARDS, RVIA STANDARDS, AND OTHER APPLICABLE STANDARDS.

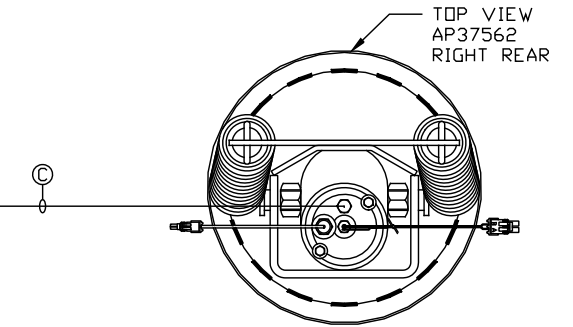
LEVELING SYSTEM: AP47960

		HWH		I-80 EXIT 267 SOUTH RT 1 MOSCOW, IOWA 52760	
		SCALE 1:6	DATE 30MAY12	DRAWN BY .	
		HYD CONN DIAGRAM			
NO.	DATE	REVISION		MARION BODY WORKS	
THE INFORMATION DISCLOSED ON THIS DRAWING IS CONFIDENTIAL AND MUST NOT BE DISCLOSED OR USED IN ANY MANNER WHICH WILL BE DETRIMENTAL TO THE HWH CORPORATION				DRAWING NUMBER MP70537 A/E	

ORIENTATION
 ← FRONT

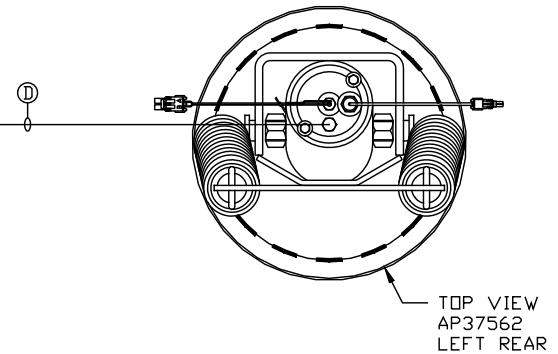


SIDE VIEW PUMP/MANIFOLD-AP48037
 LOCATION AND ORIENTATION OF
 PUMP/MANIFOLD ASSEMBLY WILL
 DIFFER DEPENDING UPON O.E.M.



- Ⓐ AP4064 HOSE ASSY .25" X 300"
- Ⓑ AP5562 HOSE ASSY .25" X 276"
- Ⓒ AP4161 HOSE ASSY .25" X 120"
- Ⓓ AP1412 HOSE ASSY .25" X 84"
- Ⓔ AP4060 HOSE ASSY .25" X 24"
- Ⓕ RETURN LINE .5" X 24"

NOTE: CROSS TIES REQUIRED
 FOR REAR JACKS



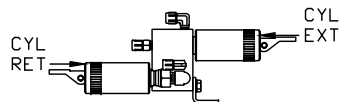
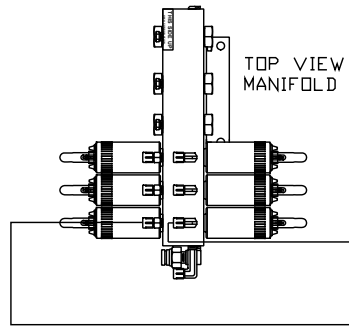
NOTE: INSTALLATION MUST CONFORM TO GOOD SHOP PRACTICES, SAE
 STANDARDS, RVIA STANDARDS, AND OTHER APPLICABLE STANDARDS.

MP70537 B/E
 30MAY12

- Ⓐ .25" ID HOSE ASSY
ROD END - ALWAYS PRESSURIZED
- Ⓑ .25" ID HOSE ASSY
CAP END (ROOM)
- Ⓒ HWH02HP OR 03 HOSE
ROD END - ALWAYS PRESSURIZED -
HOSES MUST MAINTAIN EQUAL
LENGTH AND DIAMETER
- Ⓓ .25" ID HOSE ASSY
CAP END - HOSES MUST MAINTAIN
EQUAL LENGTH AND DIAMETER
- Ⓔ AP24632 HOSE ASSY HWH02HP x 48"
ROD END - ALWAYS PRESSURIZED -
HOSES MUST MAINTAIN EQUAL
LENGTH AND DIAMETER
- Ⓕ AP24818 HOSE ASSY HWH02HP x 86"
CAP END - HOSES MUST MAINTAIN
EQUAL LENGTH AND DIAMETER

- Ⓛ .25" ID HOSE ASSY
CAP END (LIFT)
- Ⓜ .25" ID HOSE ASSY
CAP END (ROOM)
- Ⓨ .25" ID HOSE ASSY
CAP END (ROOM)
- Ⓩ .25" ID HOSE ASSY
CAP END (ROOM)
- ⓐ .25" ID HOSE ASSY ROD END (LIFT)
ALWAYS PRESSURIZED
- ⓑ .25" ID HOSE ASSY
CAP END (LIFT)
- ⓓ .25" ID HOSE ASSY
ROD END - ALWAYS PRESSURIZED (LIFT)
- ⓔ .25" ID HOSE ASSY ROD END (LIFT)
ALWAYS PRESSURIZED
- ⓕ .25" ID HOSE ASSY
CAP END LIFT

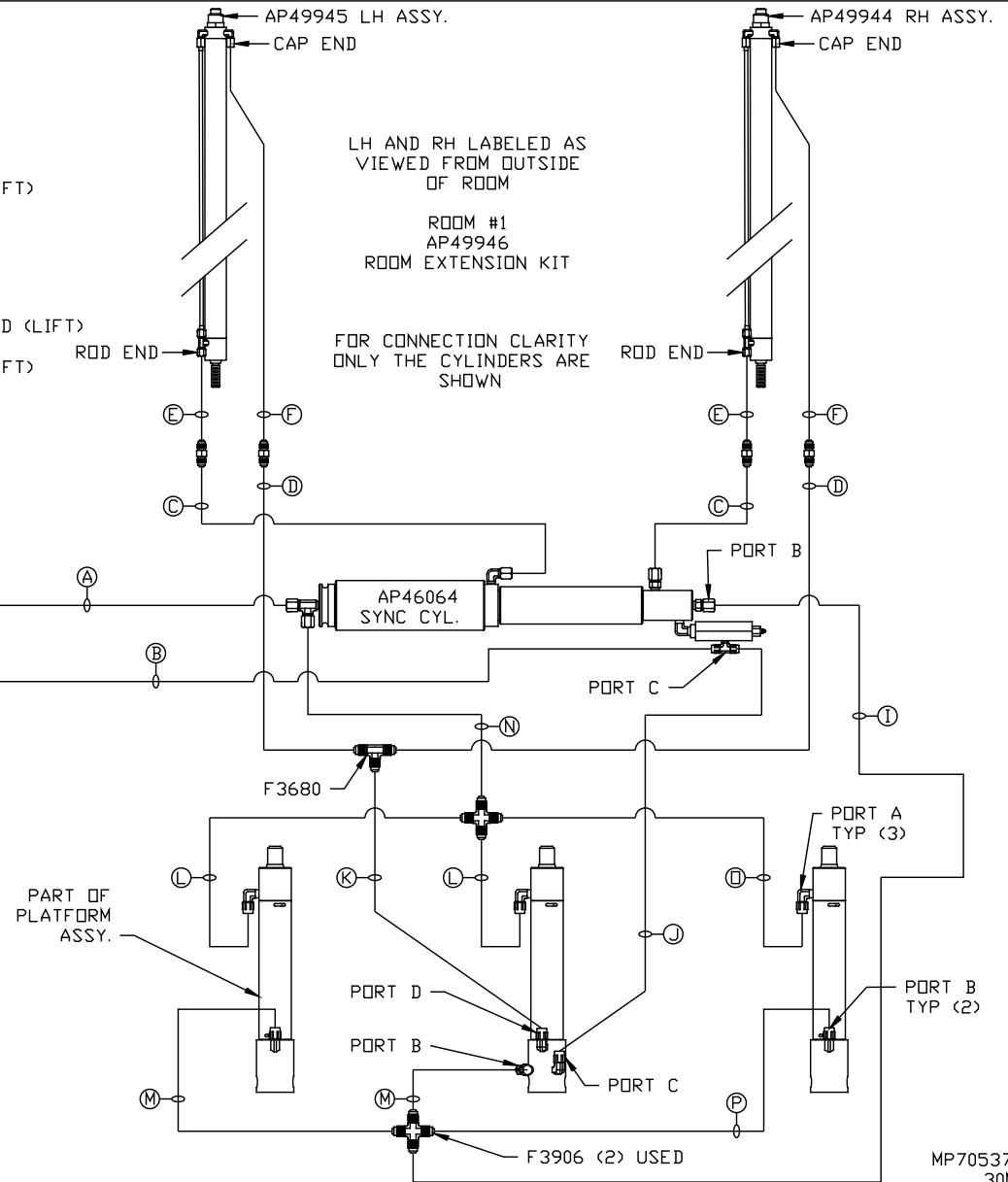
NOTE: HOSES Ⓒ AND Ⓕ ARE INCLUDED
WITH THE ROOM EXTENSION MECHANISM



SIDE VIEW MANIFOLD-AP47571
LOCATION AND ORIENTATION OF
MANIFOLD ASSEMBLY WILL
DIFFER DEPENDING UPON O.E.M.

NOTE: GENERIC VIEWS FOR CLARITY. CYLINDERS MAY BE REVERSED

NOTE: INSTALLATION MUST CONFORM TO GOOD SHOP PRACTICES, SAE
STANDARDS, RVIA STANDARDS, AND OTHER APPLICABLE STANDARDS.

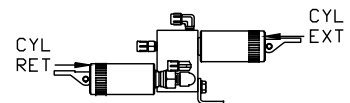
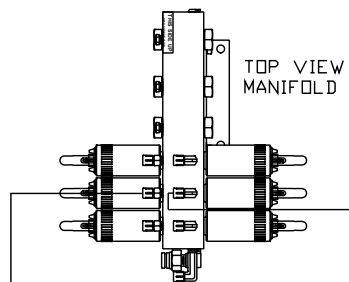


MP70537 C/E
30MAY12

- Ⓐ .25" ID HOSE
ROD END - ALWAYS PRESSURIZED
- Ⓑ .25" ID HOSE
CAP END (ROOM)
- Ⓒ .25" ID HOSE
ROD END - ALWAYS PRESSURIZED (LIFT)
- Ⓓ .25" ID HOSE
CAP END (ROOM)
- Ⓔ .25" ID HOSE
CAP END (LIFT)
- Ⓕ .25" ID HOSE
CAP END (ROOM)

- Ⓖ 03 HOSE
ROD END - ALWAYS PRESSURIZED -
HOSES MUST MAINTAIN EQUAL
LENGTH AND DIAMETER
- Ⓗ .25" ID HOSE
CAP END - HOSES MUST MAINTAIN
EQUAL LENGTH AND DIAMETER
- Ⓡ AP24632 HOSE ASSY HWH02HP x 48"
ROD END - ALWAYS PRESSURIZED -
HOSES MUST MAINTAIN EQUAL
LENGTH AND DIAMETER
- Ⓙ AP24818 HOSE ASSY HWH02HP x 86"
CAP END - MUST MAINTAIN EQUAL
LENGTH AND DIAMETER
- Ⓚ .25" ID HOSE CAP END (LIFT)
MUST MAINTAIN EQUAL LENGTH
AND DIAMETER
- Ⓛ .25" ID HOSE ROD END (LIFT)
ALWAYS PRESSURIZED - MUST MAINTAIN
EQUAL LENGTH AND DIAMETER

NOTE: HOSES Ⓡ AND Ⓢ ARE INCLUDED
WITH THE ROOM EXTENSION MECHANISM



LOCATION AND ORIENTATION OF
MANIFOLD ASSEMBLY WILL
DIFFER DEPENDING UPON O.E.M.

NOTE: GENERIC VIEWS FOR CLARITY. CYLINDERS MAY BE REVERSED

NOTE: INSTALLATION MUST CONFORM TO GOOD SHOP PRACTICES, SAE
STANDARDS, RVIA STANDARDS, AND OTHER APPLICABLE STANDARDS.

