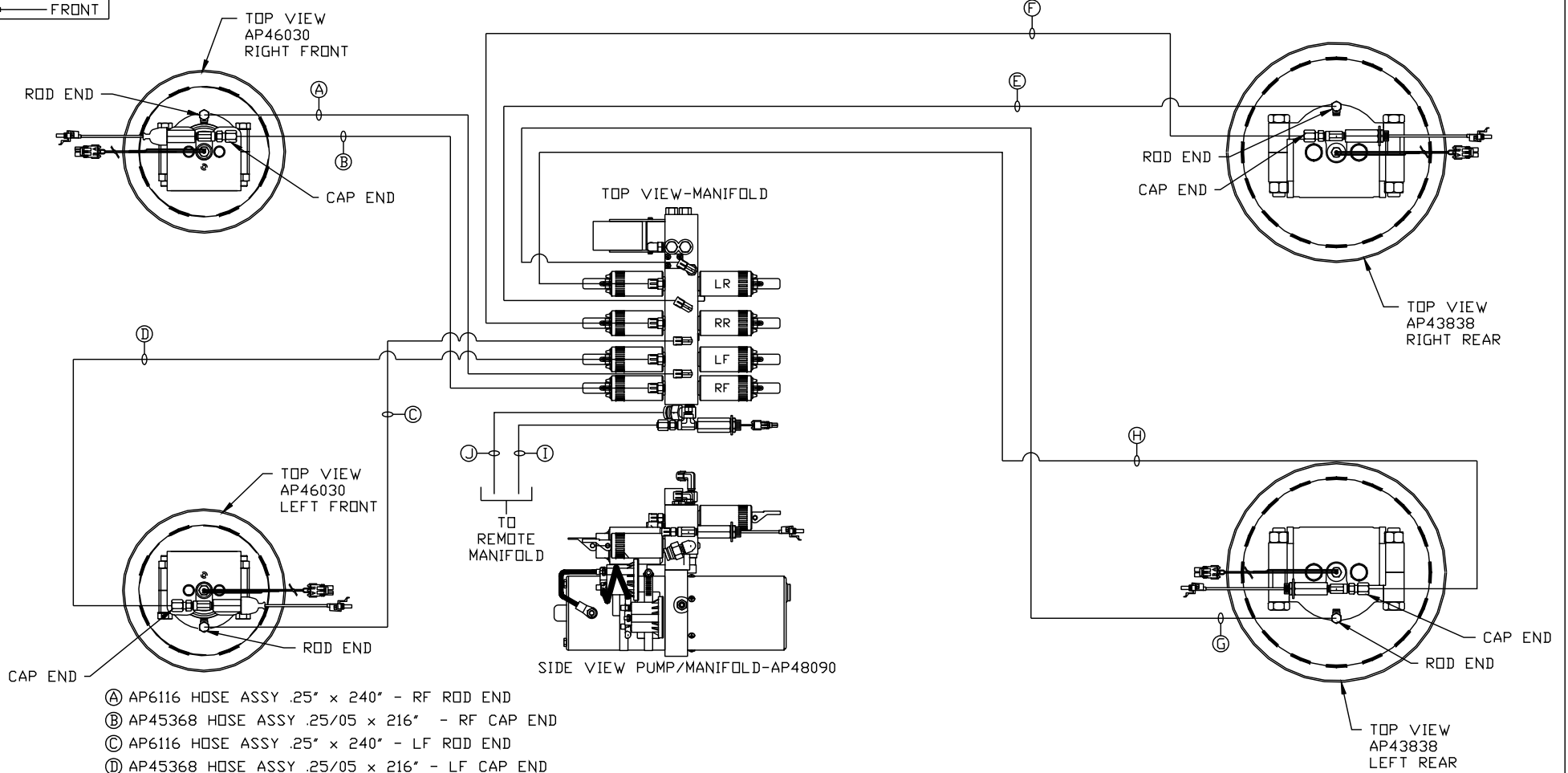


ORIENTATION  
← FRONT



- Ⓐ AP6116 HOSE ASSY .25" x 240" - RF ROD END
- Ⓑ AP45368 HOSE ASSY .25/05 x 216" - RF CAP END
- Ⓒ AP6116 HOSE ASSY .25" x 240" - LF ROD END
- Ⓓ AP45368 HOSE ASSY .25/05 x 216" - LF CAP END
- Ⓔ AP4164 HOSE ASSY .25" x 384" - RR ROD END
- Ⓕ AP50407 HOSE ASSY .25/05 x 360" - RR CAP END
- Ⓖ AP4164 HOSE ASSY .25" x 384" - LR ROD END
- Ⓗ AP50407 HOSE ASSY .25/05 x 360" - LR CAP END
- Ⓘ AP4159 HOSE ASSY .25" x 72" - PRESSURE TO REMOTE MANIFOLD
- Ⓣ P6114 RETURN LINE .5" x 72" - RETURN FROM REMOTE MANIFOLD

NOTE: INSTALLATION MUST CONFORM TO GOOD SHOP PRACTICES, SAE STANDARDS, RVIA STANDARDS, AND OTHER APPLICABLE STANDARDS.

LEVELING SYSTEM: AP50268

NO.	DATE	REVISION
2	20JUL15	UPDATED HOSES
1	30JUL12	UPDATED HOSES

THE INFORMATION DISCLOSED ON THIS DRAWING IS CONFIDENTIAL AND MUST NOT BE DISCLOSED OR USED IN ANY MANNER WHICH WILL BE DETRIMENTAL TO THE HWH CORPORATION

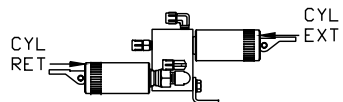
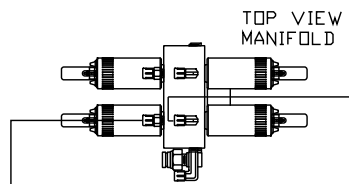
HWH			I-80 EXIT 267 SOUTH RT 1 MOSCOW, IOWA 52760		
SCALE 1:6	DATE 30MAY12	DRAWN BY .			
HYD CONN DIAGRAM					
KIBBI				DRAWING NUMBER MP70540 A/D	

AP50208 HOSE KIT ROOM 1

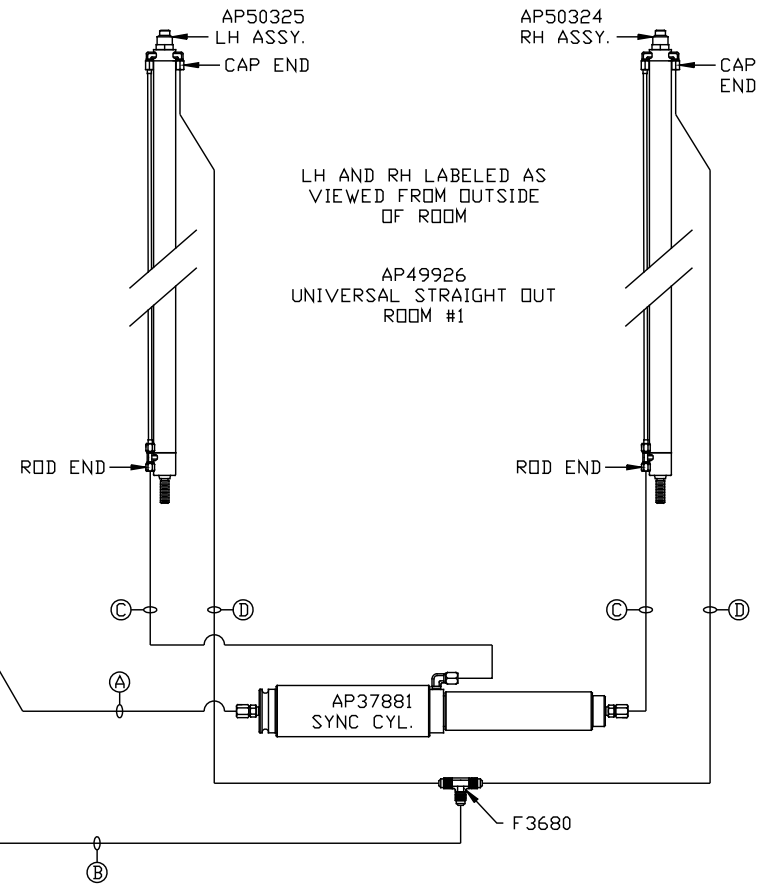
- Ⓐ AP4161 HOSE ASSY .25" x 120"  
ROD END - ALWAYS PRESSURIZED
- Ⓑ AP4062 HOSE ASSY .25" x 132"  
WAS AP4162 HOSE ASSY .25" x 192"  
CAP END
- Ⓒ AP49517 HOSE ASSY 03 x 180"  
WAS AP24646 HOSE ASSY HWH02HP x 156"  
ROD END - ALWAYS PRESSURIZED - MUST  
MAINTAIN EQUAL LENGTH AND DIAMETER
- Ⓓ AP51635 HOSE ASSY 03 x 216"  
WAS AP24652 HOSE ASSY HWH02HP x 192"  
CAP END - MUST MAINTAIN EQUAL LENGTH  
AND DIAMETER

NOTE: HOSE Ⓒ WAS AP49437 HOSE ASSY 03 x 144" AND  
AP24639 HOSE ASSY HWH02HP x 96"  
HOSE Ⓓ WAS AP4065 HOSE ASSY .25" x 156" AND  
AP24644 HOSE ASSY HWH02HP x 132"

NOTE: HOSES Ⓒ AND Ⓓ SHIP LOOSE.



SIDE VIEW MANIFOLD-AP50289  
LOCATION AND ORIENTATION OF  
MANIFOLD ASSEMBLY WILL  
DIFFER DEPENDING UPON O.E.M.



NOTE: INSTALLATION MUST CONFORM TO GOOD SHOP PRACTICES, SAE  
STANDARDS, RVIA STANDARDS, AND OTHER APPLICABLE STANDARDS.

MP70540 B/D  
20JUL15

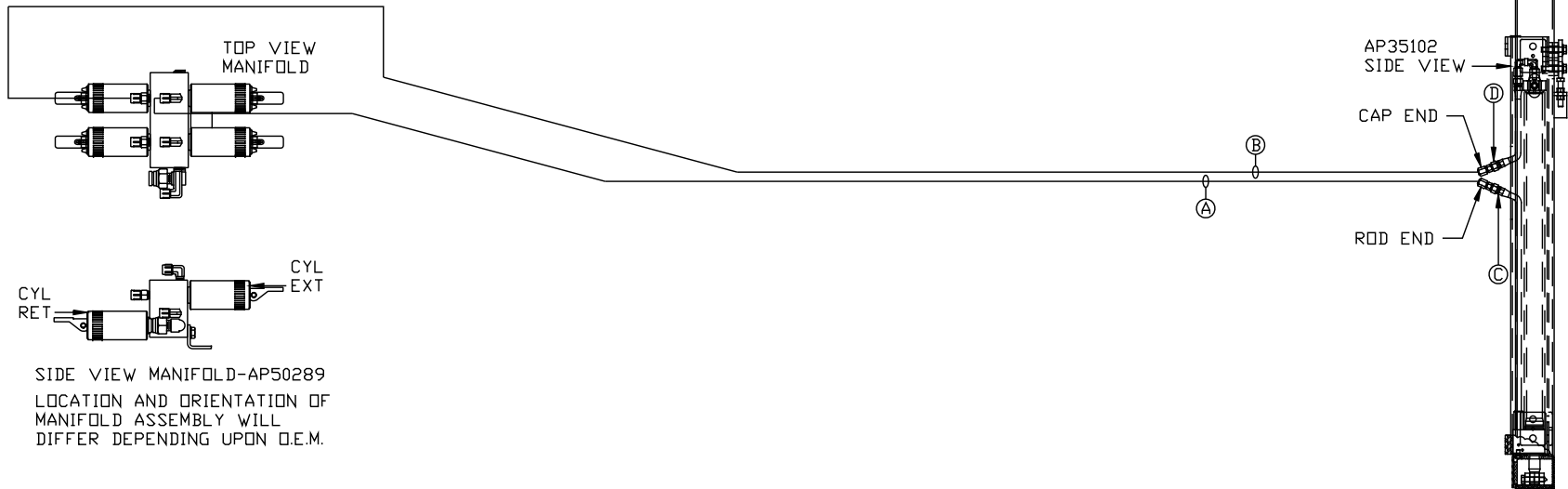
AP50209 HOSE KIT ROOM 2

- Ⓐ AP52740 HOSE ASSY 03 X 480"  
WAS AP36651 HOSE ASSY HWH02HP X 480"  
WAS AP50396 HOSE ASSY 03 X 480"  
ROD END - ALWAYS PRESSURIZED
- Ⓑ AP6218 HOSE ASSY .25" X 480"  
CAP END
- Ⓒ AP24628 HOSE ASSY HWH02HP x 24.25"  
ROD END - ALWAYS PRESSURIZED
- Ⓓ AP24632 HOSE ASSY HWH02HP x 48"  
CAP END

NOTE: HOSES Ⓒ AND Ⓓ ARE INCLUDED WITH THE ROOM EXTENSION MECHANISM.

NOTE: HOSES Ⓐ AND Ⓑ NEED TO BE PLUGGED.

ROOM #2  
AP47905  
BED SLIDE KIT



SIDE VIEW MANIFOLD-AP50289  
LOCATION AND ORIENTATION OF  
MANIFOLD ASSEMBLY WILL  
DIFFER DEPENDING UPON O.E.M.

NOTE: INSTALLATION MUST CONFORM TO GOOD SHOP PRACTICES, SAE STANDARDS, RVIA STANDARDS, AND OTHER APPLICABLE STANDARDS.

MP70540 C/D  
20JUL15

