

- Ⓐ AP6116 HOSE ASSY .25" x 240" - RF ROD END
- Ⓑ AP45368 HOSE ASSY .25/05 x 216" - RF CAP END
- Ⓒ AP6116 HOSE ASSY .25" x 240" - LF ROD END
- Ⓓ AP45368 HOSE ASSY .25/05 x 216" - LF CAP END
- Ⓔ AP4164 HOSE ASSY .25" x 384" - RR ROD END
- Ⓕ AP50407 HOSE ASSY .25/05 x 360" - RR CAP END
- Ⓖ AP4164 HOSE ASSY .25" x 384" - LR ROD END
- Ⓗ AP50407 HOSE ASSY .25/05 x 360" - LR CAP END
- Ⓘ AP4159 HOSE ASSY .25" x 72" - PRESSURE TO REMOTE MANIFOLD
- ⓵ P6114 RETURN LINE .5" x 72" - RETURN FROM REMOTE MANIFOLD

NOTE: INSTALLATION MUST CONFORM TO GOOD SHOP PRACTICES, SAE STANDARDS, RVIA STANDARDS, AND OTHER APPLICABLE STANDARDS.

LEVELING SYSTEM: AP50385

NO.	DATE	REVISION
3	18FEB16	UPDATED HOSES
2	20JUL15	UPDATED HOSES
1	30JUL12	UPDATED HOSES

THE INFORMATION DISCLOSED ON THIS DRAWING IS CONFIDENTIAL AND MUST NOT BE DISCLOSED OR USED IN ANY MANNER WHICH WILL BE DETRIMENTAL TO THE HWH CORPORATION

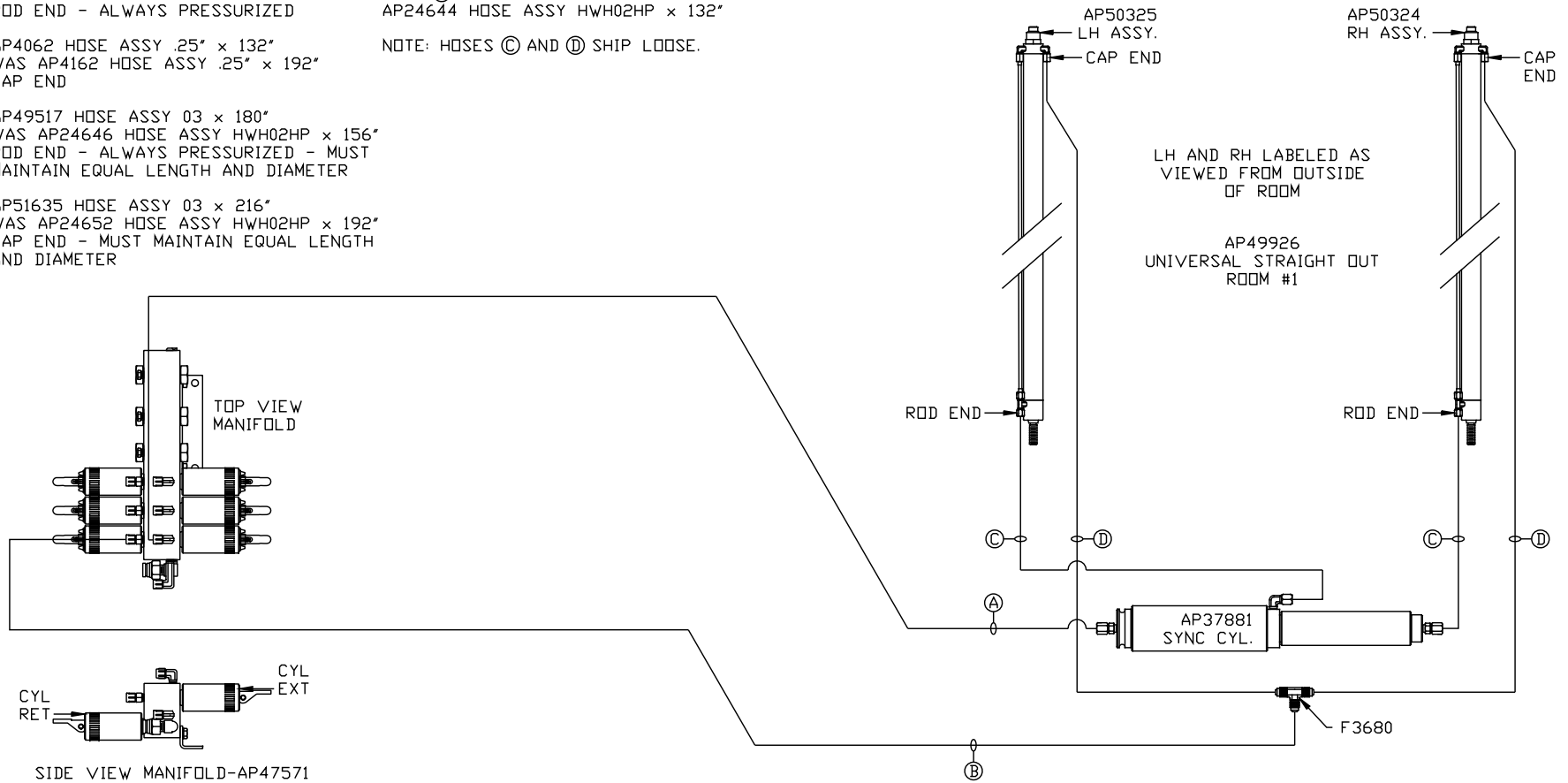
HWH		I-80 EXIT 267 SOUTH RT 1 MOSCOW, IOWA 52760	
SCALE 1:6	DATE 31MAY12	DRAWN BY .	
HYD CONN DIAGRAM			
KIBBI		DRAWING NUMBER MP70542 A/E	

AP50208 HOSE KIT ROOM 1

- Ⓐ AP4161 HOSE ASSY .25" x 120"
ROD END - ALWAYS PRESSURIZED
- Ⓑ AP4062 HOSE ASSY .25" x 132"
WAS AP4162 HOSE ASSY .25" x 192"
CAP END
- Ⓒ AP49517 HOSE ASSY 03 x 180"
WAS AP24646 HOSE ASSY HWH02HP x 156"
ROD END - ALWAYS PRESSURIZED - MUST
MAINTAIN EQUAL LENGTH AND DIAMETER
- Ⓓ AP51635 HOSE ASSY 03 x 216"
WAS AP24652 HOSE ASSY HWH02HP x 192"
CAP END - MUST MAINTAIN EQUAL LENGTH
AND DIAMETER

NOTE: HOSE Ⓒ WAS AP49437 HOSE ASSY 03 x 144" AND
AP24639 HOSE ASSY HWH02HP x 96"
HOSE Ⓓ WAS AP4065 HOSE ASSY .25" x 156" AND
AP24644 HOSE ASSY HWH02HP x 132"

NOTE: HOSES Ⓒ AND Ⓓ SHIP LOOSE.



SIDE VIEW MANIFOLD-AP47571
LOCATION AND ORIENTATION OF
MANIFOLD ASSEMBLY WILL
DIFFER DEPENDING UPON O.E.M.

NOTE: INSTALLATION MUST CONFORM TO GOOD SHOP PRACTICES, SAE
STANDARDS, RVIA STANDARDS, AND OTHER APPLICABLE STANDARDS.

MP70542 B/E
20JUL15

AP50210 HOSE KIT ROOM 3

Ⓐ AP5561 HOSE ASSY .25" x 336"
ROD END - ALWAYS PRESSURIZED

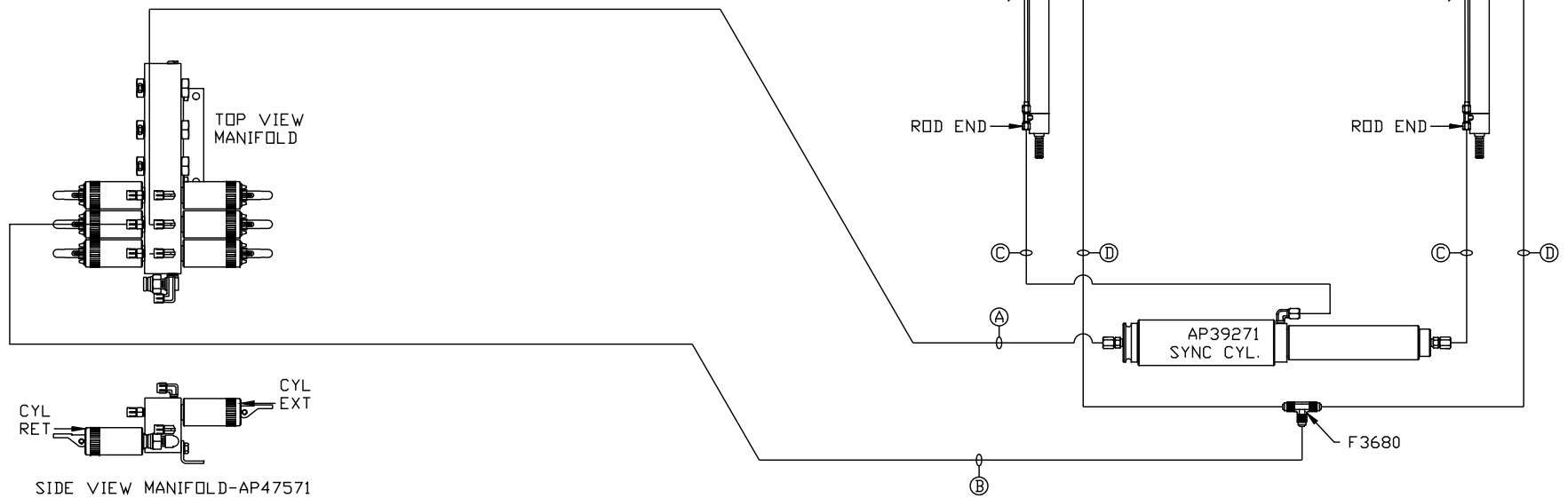
Ⓑ AP13856 HOSE ASSY .25" x 330"
WAS AP4162 HOSE ASSY .25" x 192"
CAP END

Ⓒ AP49246 HOSE ASSY 03 x 156"
WAS AP49517 HOSE ASSY 03 x 180"
WAS AP24646 HOSE ASSY HWH02HP x 156"
ROD END - ALWAYS PRESSURIZED - MUST
MAINTAIN EQUAL LENGTH AND DIAMETER

Ⓓ AP49438 HOSE ASSY 03 x 192"
WAS AP51635 HOSE ASSY 03 x 216"
WAS AP24652 HOSE ASSY HWH02HP x 192"
CAP END - MUST MAINTAIN EQUAL LENGTH
AND DIAMETER

NOTE: HOSE Ⓒ WAS AP49437 HOSE ASSY 03 x 144" AND
AP24639 HOSE ASSY HWH02HP x 96"
HOSE Ⓓ WAS AP4163 HOSE ASSY .25" x 360" AND
AP24644 HOSE ASSY HWH02HP x 132"

NOTE: HOSES Ⓒ AND Ⓓ SHIP LOOSE.



LH AND RH LABELED AS
VIEWED FROM OUTSIDE
OF ROOM

AP49927
UNIVERSAL STRAIGHT OUT
ROOM #2

SIDE VIEW MANIFOLD-AP47571
LOCATION AND ORIENTATION OF
MANIFOLD ASSEMBLY WILL
DIFFER DEPENDING UPON O.E.M.

NOTE: INSTALLATION MUST CONFORM TO GOOD SHOP PRACTICES, SAE
STANDARDS, RVIA STANDARDS, AND OTHER APPLICABLE STANDARDS.

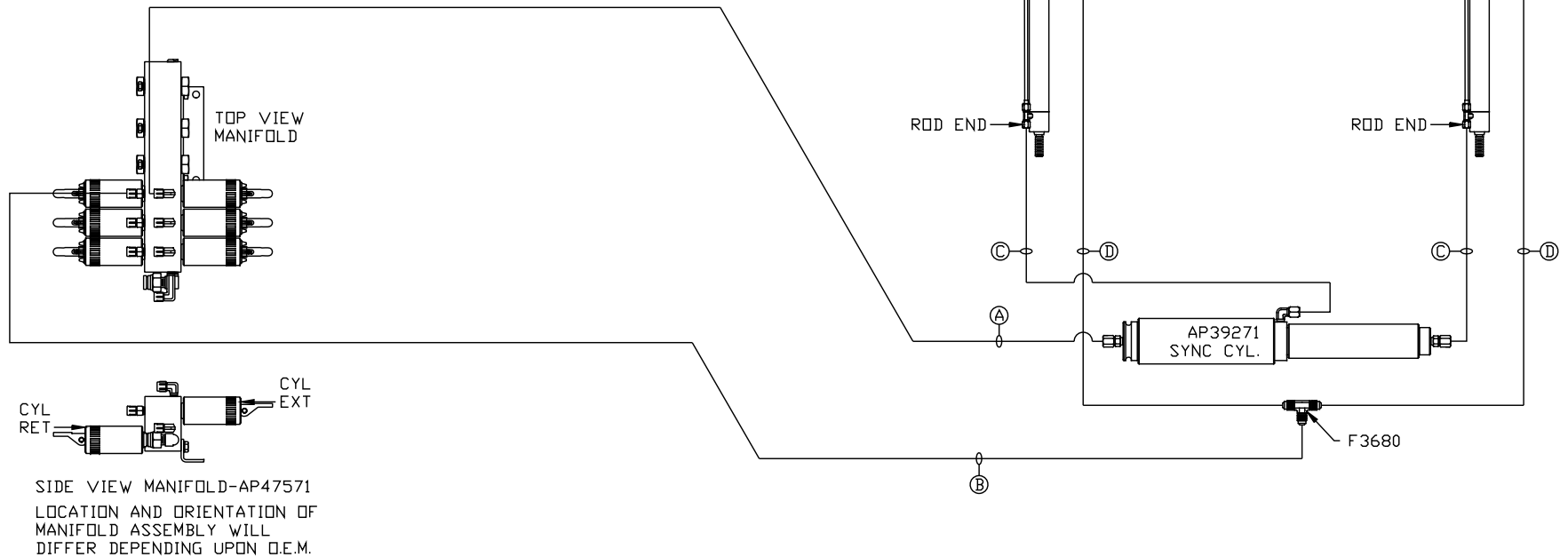
MP70542 C/E
18FEB16

AP50211 HOSE KIT ROOM 4

- Ⓐ AP4827 HOSE ASSY .25" x 144"
ROD END - ALWAYS PRESSURIZED
- Ⓑ AP16172 HOSE ASSY .25" x 150"
WAS AP4162 HOSE ASSY .25" x 192"
CAP END
- Ⓒ AP49246 HOSE ASSY 03 x 156"
WAS AP24646 HOSE ASSY HWH02HP x 156"
ROD END - ALWAYS PRESSURIZED - MUST
MAINTAIN EQUAL LENGTH AND DIAMETER
- Ⓓ AP49438 HOSE ASSY 03 x 192"
WAS AP24652 HOSE ASSY HWH02HP x 192"
CAP END - MUST MAINTAIN EQUAL LENGTH
AND DIAMETER

NOTE: HOSE Ⓒ WAS AP49437 HOSE ASSY 03 x 144" AND
AP24639 HOSE ASSY HWH02HP x 96"
HOSE Ⓓ WAS AP4065 HOSE ASSY .25" x 156" AND
AP24644 HOSE ASSY HWH02HP x 132"

NOTE: HOSES Ⓒ AND Ⓓ SHIP LOOSE.



NOTE: INSTALLATION MUST CONFORM TO GOOD SHOP PRACTICES, SAE
STANDARDS, RVIA STANDARDS, AND OTHER APPLICABLE STANDARDS.

MP70542 D/E
20JUL15

