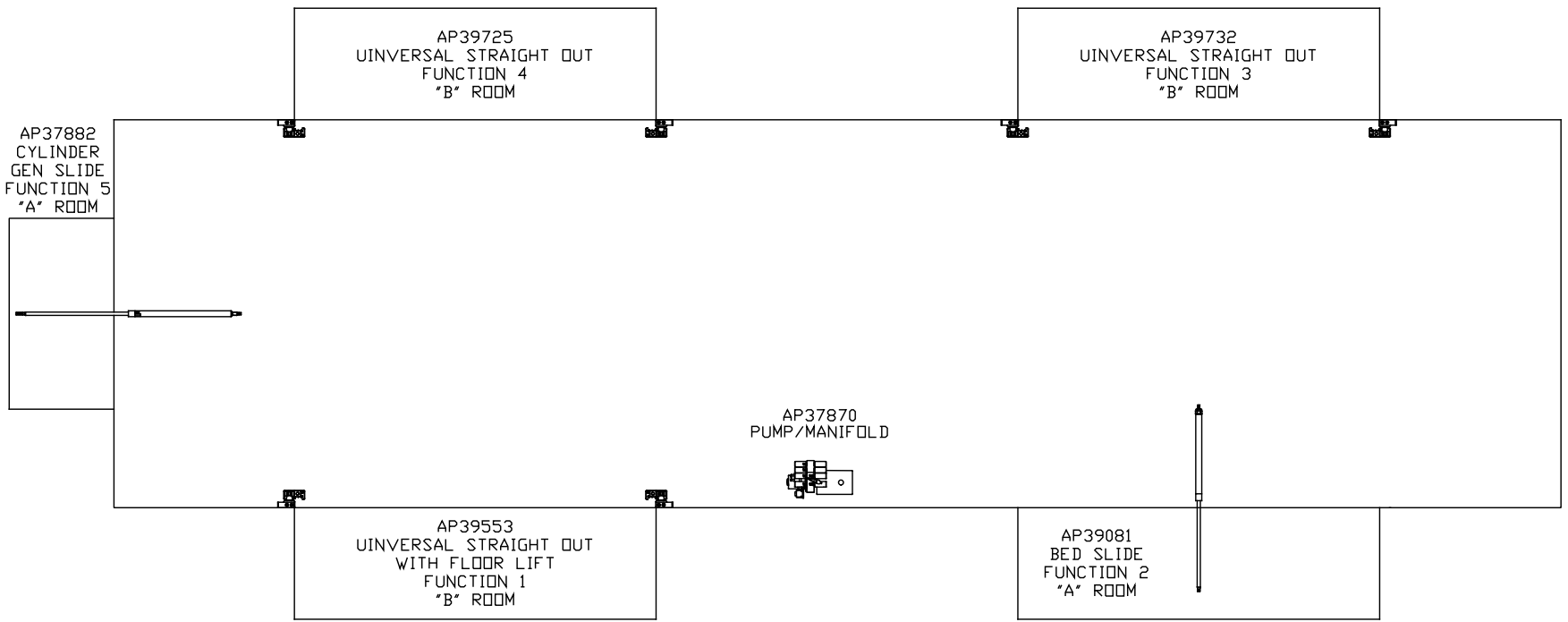


ORIENTATION  
 ← FRONT



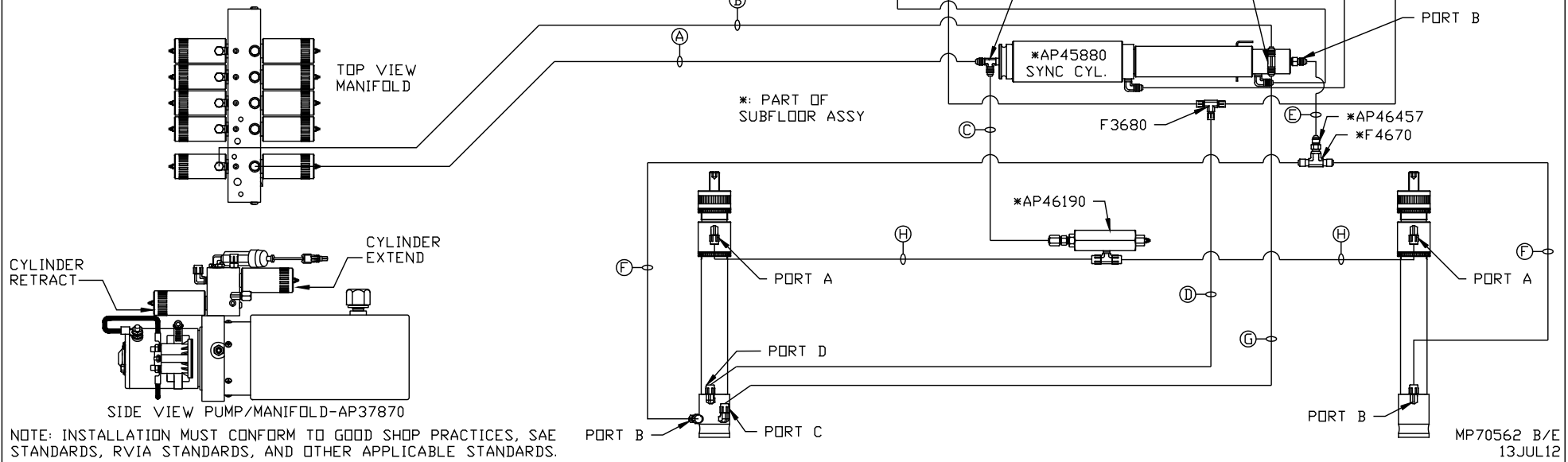
NOTE: INSTALLATION MUST CONFORM TO GOOD SHOP PRACTICES, SAE STANDARDS, RVIA STANDARDS, AND OTHER APPLICABLE STANDARDS.

LEVELING SYSTEM: AP45928

		HWH I-80 EXIT 267 SOUTH RT 1 MOSCOW, IOWA 52760	
		SCALE 1:6	DATE 13JUL12
		DRAWN BY .	
▲	01FEB13	WAS AP39733 & AP39734	
NO.	DATE	REVISION	
THE INFORMATION DISCLOSED ON THIS DRAWING IS CONFIDENTIAL AND MUST NOT BE DISCLOSED OR USED IN ANY MANNER WHICH WILL BE DETRIMENTAL TO THE HWH CORPORATION			
		HYD CONN DIAGRAM	DRAWING NUMBER
		FORETRAVEL	MP70562 A/E

- Ⓐ AP4074 HOSE ASSY .25" x 108"  
ROD END - ALWAYS PRESSURIZED
- Ⓑ AP7099 HOSE ASSY .25" x 110"  
CAP END
- Ⓒ AP4075 HOSE ASSY .25" x 42"  
ROD END - ALWAYS PRESSURIZED (LIFT)
- Ⓓ AP5350 HOSE ASSY .25" x 57" OR  
AP7177 HOSE ASSY .25" x 70" OR  
AP4767 HOSE ASSY .25" x 80"  
CAP END (ROOM)
- Ⓔ AP4218 HOSE ASSY .25" x 40"  
CAP END (LIFT)
- Ⓕ AP7177 HOSE ASSY .25" x 70" OR  
AP5616 HOSE ASSY .25" x 74" OR  
AP5215 HOSE ASSY .25" x 78" OR  
AP4905 HOSE ASSY .25" x 87" OR  
AP7832 HOSE ASSY .25" x 100"  
CAP END (LIFT) - MUST BE HOSES  
OF EQUAL LENGTH AND DIAMETER
- Ⓖ AP4062 HOSE ASSY .25" x 132" OR  
AP2443 HOSE ASSY .25" x 146"  
CAP END (LIFT)

- Ⓗ AP4073 HOSE ASSY .25" x 60" OR  
AP4664 HOSE ASSY .25" x 64" OR  
AP5351 HOSE ASSY .25" x 66" OR  
AP5215 HOSE ASSY .25" x 78" OR  
AP2445 HOSE ASSY .25" x 90"  
ROD END (LIFT) - ALWAYS  
PRESSURIZED - MUST BE HOSES  
OF EQUAL LENGTH AND DIAMETER
- Ⓜ AP24667 HOSE ASSY HWH02HP x 312"  
ROD END - ALWAYS PRESSURIZED - MUST  
BE HIGH PRESSURE HOSES OF EQUAL  
LENGTH AND DIAMETER
- Ⓝ AP5216 HOSE ASSY .25" x 312"  
CAP END - MUST MAINTAIN EQUAL LENGTH  
AND DIAMETER
- Ⓚ AP24818 HOSE ASSY HWH02HP x 86"  
CAP END - MUST MAINTAIN EQUAL LENGTH  
AND DIAMETER
- Ⓛ AP24632 HOSE ASSY HWH02HP x 48"  
ROD END - ALWAYS PRESSURIZED - MUST  
BE HIGH PRESSURE HOSES OF EQUAL  
LENGTH AND DIAMETER

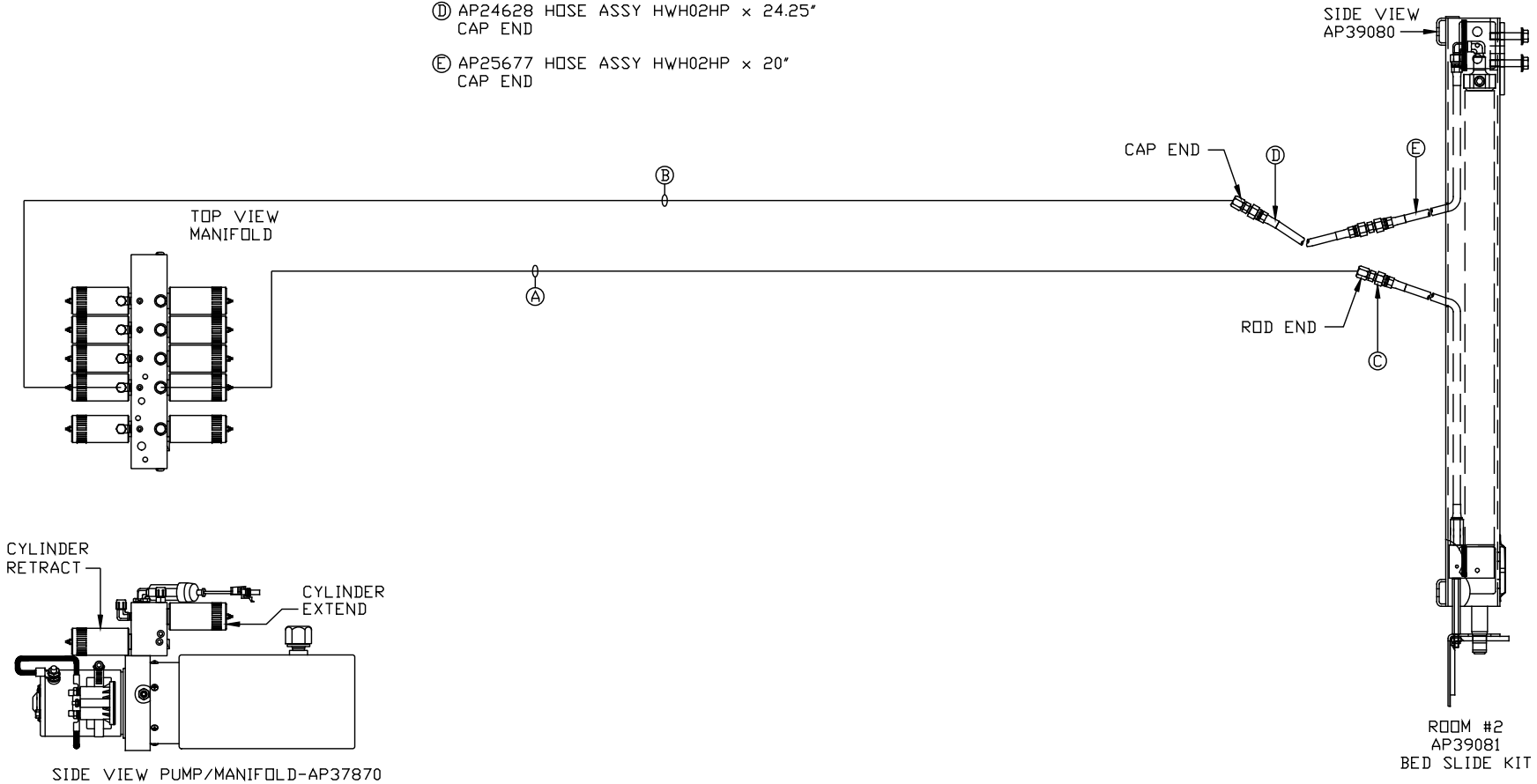


ORIENTATION

← FRONT

NOTE: HOSES ③, ④ AND ⑤ ARE INCLUDED WITH THE ROOM EXTENSION MECHANISM

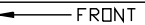
- ① AP4164 HOSE ASSY .25 x 384"  
ROD END - ALWAYS PRESSURIZED
- ② AP4391 HOSE ASSY .25 x 372"  
CAP END
- ③ AP24632 HOSE ASSY HWH02HP x 48"  
ROD END - ALWAYS PRESSURIZED
- ④ AP24628 HOSE ASSY HWH02HP x 24.25"  
CAP END
- ⑤ AP25677 HOSE ASSY HWH02HP x 20"  
CAP END



NOTE: INSTALLATION MUST CONFORM TO GOOD SHOP PRACTICES, SAE STANDARDS, RVIA STANDARDS, AND OTHER APPLICABLE STANDARDS.

MP70562 C/E  
13JUL12

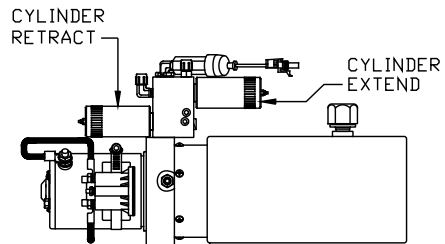
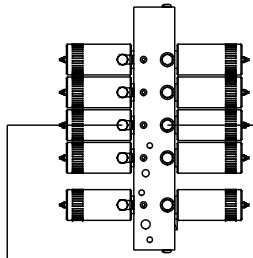
ORIENTATION



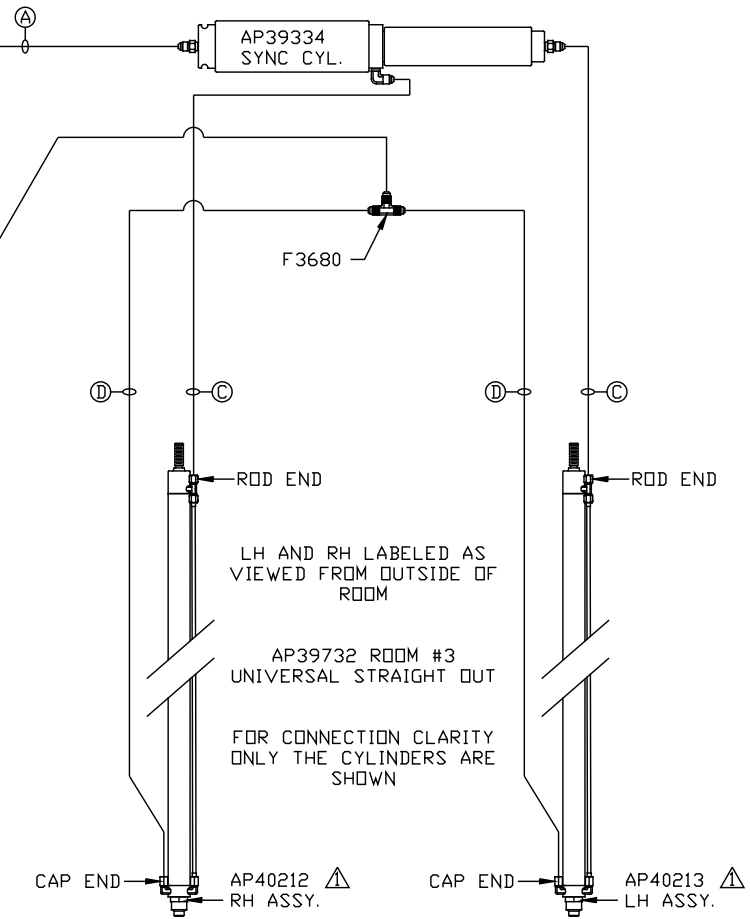
NOTE: HOSES ③ AND ④ ARE INCLUDED WITH THE ROOM EXTENSION MECHANISM

- ① AP4064 HOSE ASSY .25 x 300"  
WAS AP24672 HOSE ASSY HWH02HP x 372"  
ROD END - ALWAYS PRESSURIZED
- ② AP4904 HOSE ASSY .25 x 306"  
WAS AP4391 HOSE ASSY .25 x 372"  
CAP END
- ③ AP25086 HOSE ASSY HWH02HP x 78"  
WAS AP24631 HOSE ASSY HWH02HP x 42"  
ROD END - ALWAYS PRESSURIZED - MUST BE HIGH PRESSURE HOSES OF EQUAL LENGTH AND DIAMETER
- ④ AP24819 HOSE ASSY HWH02HP x 100"  
WAS AP24637 HOSE ASSY HWH02HP x 66"  
CAP END - MUST MAINTAIN EQUAL LENGTH AND DIAMETER

TOP VIEW  
MANIFOLD



SIDE VIEW PUMP/MANIFOLD-AP37870



NOTE: INSTALLATION MUST CONFORM TO GOOD SHOP PRACTICES, SAE STANDARDS, RVIA STANDARDS, AND OTHER APPLICABLE STANDARDS.

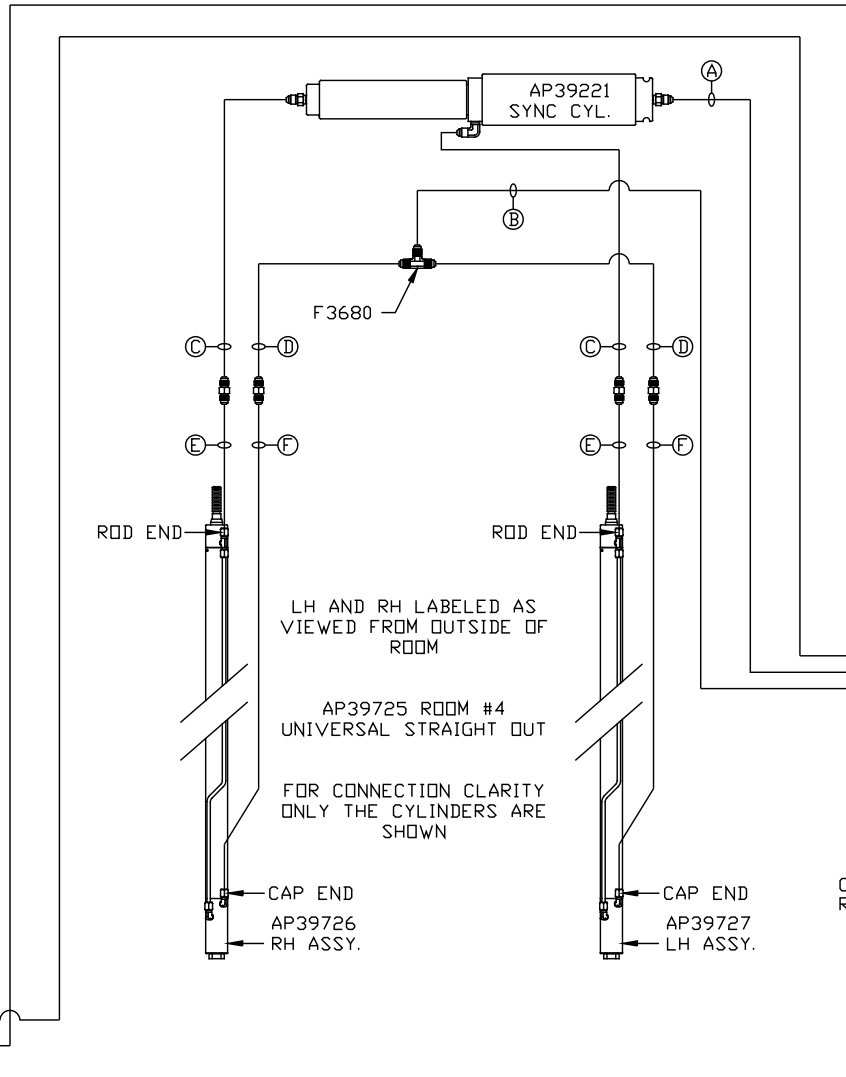
MP70562 D/E  
01FEB13

ORIENTATION

← FRONT

NOTE: HOSES (E) AND (F) ARE INCLUDED WITH THE ROOM EXTENSION MECHANISM

- (A) AP4074 HOSE ASSY .25" x 108"  
ROD END - ALWAYS PRESSURIZED
- (B) AP7099 HOSE ASSY .25" x 110"  
CAP END
- (C) AP24667 HOSE ASSY HWH02HP x 312"  
ROD END - ALWAYS PRESSURIZED - MUST BE HIGH PRESSURE HOSES OF EQUAL LENGTH AND DIAMETER
- (D) AP5216 HOSE ASSY .25" x 312"  
CAP END - MUST MAINTAIN EQUAL LENGTH AND DIAMETER
- (E) AP24632 HOSE ASSY HWH02HP x 48"  
ROD END - ALWAYS PRESSURIZED - MUST BE HIGH PRESSURE HOSES OF EQUAL LENGTH AND DIAMETER
- (F) AP24818 HOSE ASSY HWH02HP x 86"  
CAP END - MUST MAINTAIN EQUAL LENGTH AND DIAMETER
- (G) AP13851 HOSE ASSY .25" x 318"  
ROD END - ALWAYS PRESSURIZED
- (H) AP5216 HOSE ASSY .25" x 312"  
CAP END



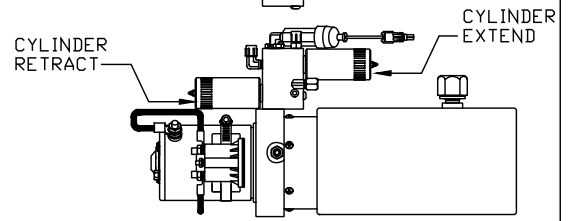
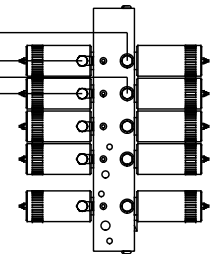
LH AND RH LABELED AS VIEWED FROM OUTSIDE OF ROOM

AP39725 ROOM #4 UNIVERSAL STRAIGHT OUT

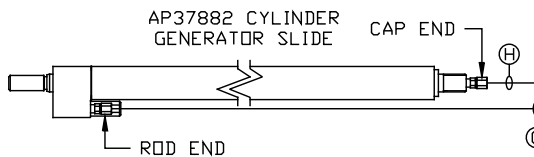
FOR CONNECTION CLARITY ONLY THE CYLINDERS ARE SHOWN

— CAP END  
AP39726 RH ASSY.  
— CAP END  
AP39727 LH ASSY.

TOP VIEW MANIFOLD



SIDE VIEW PUMP/MANIFOLD-AP37870



NOTE: INSTALLATION MUST CONFORM TO GOOD SHOP PRACTICES, SAE STANDARDS, RVIA STANDARDS, AND OTHER APPLICABLE STANDARDS.