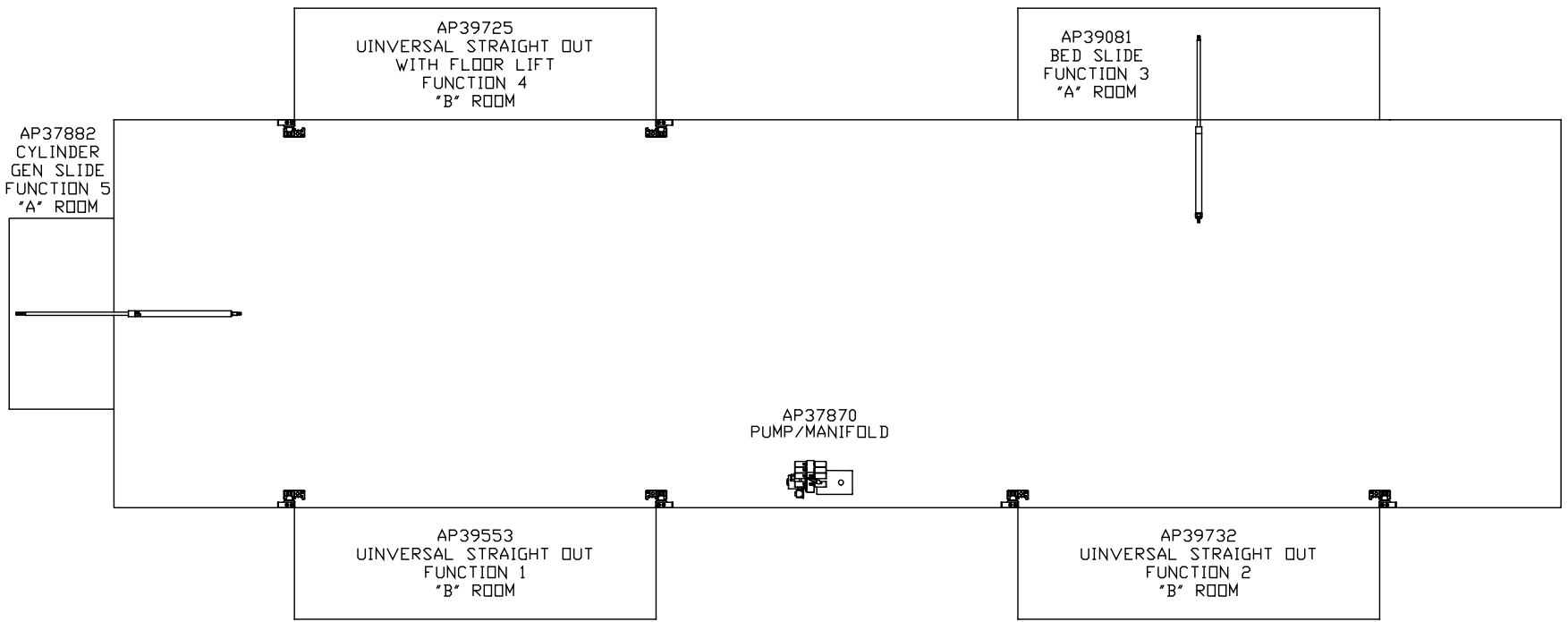


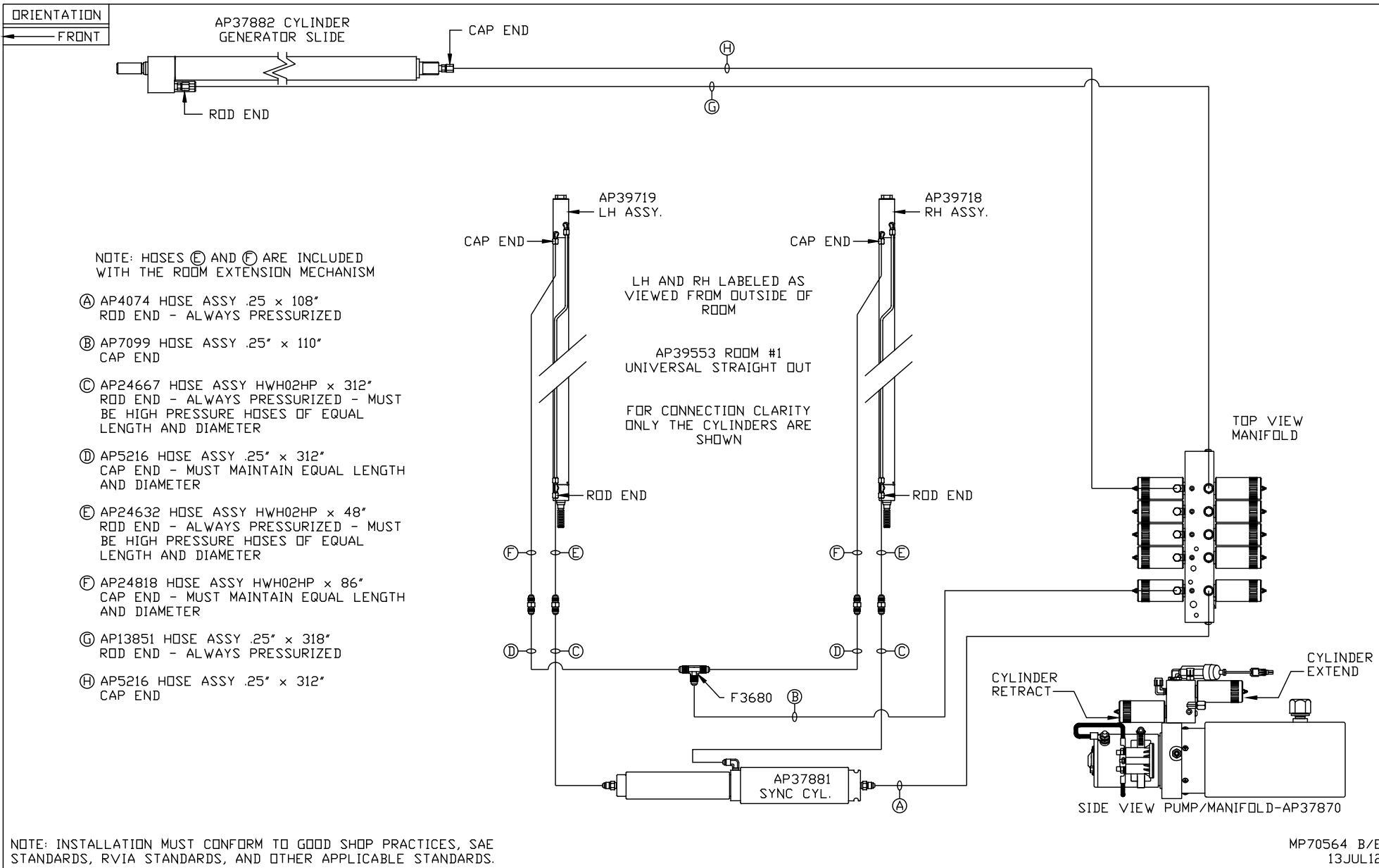
ORIENTATION
 ← FRONT



NOTE: INSTALLATION MUST CONFORM TO GOOD SHOP PRACTICES, SAE STANDARDS, RVIA STANDARDS, AND OTHER APPLICABLE STANDARDS.

LEVELING SYSTEM: AP47033

		HWH I-80 EXIT 267 SOUTH RT 1 MOSCOW, IOWA 52760	
		SCALE 1:6	DATE 13JUL12
		DRAWN BY .	
01FEB13		WAS AP39733 & AP39734	
NO.	DATE	REVISION	
THE INFORMATION DISCLOSED ON THIS DRAWING IS CONFIDENTIAL AND MUST NOT BE DISCLOSED OR USED IN ANY MANNER WHICH WILL BE DETRIMENTAL TO THE HWH CORPORATION			
		HYD CONN DIAGRAM	DRAWING NUMBER
		FORETRAVEL	MP70564 A/E

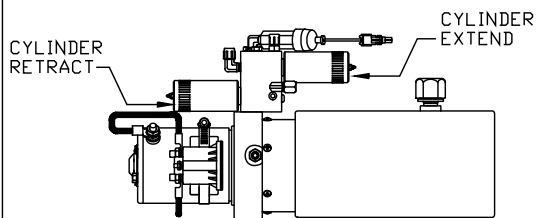
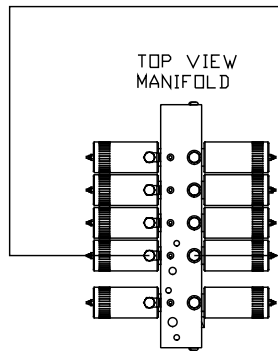


ORIENTATION

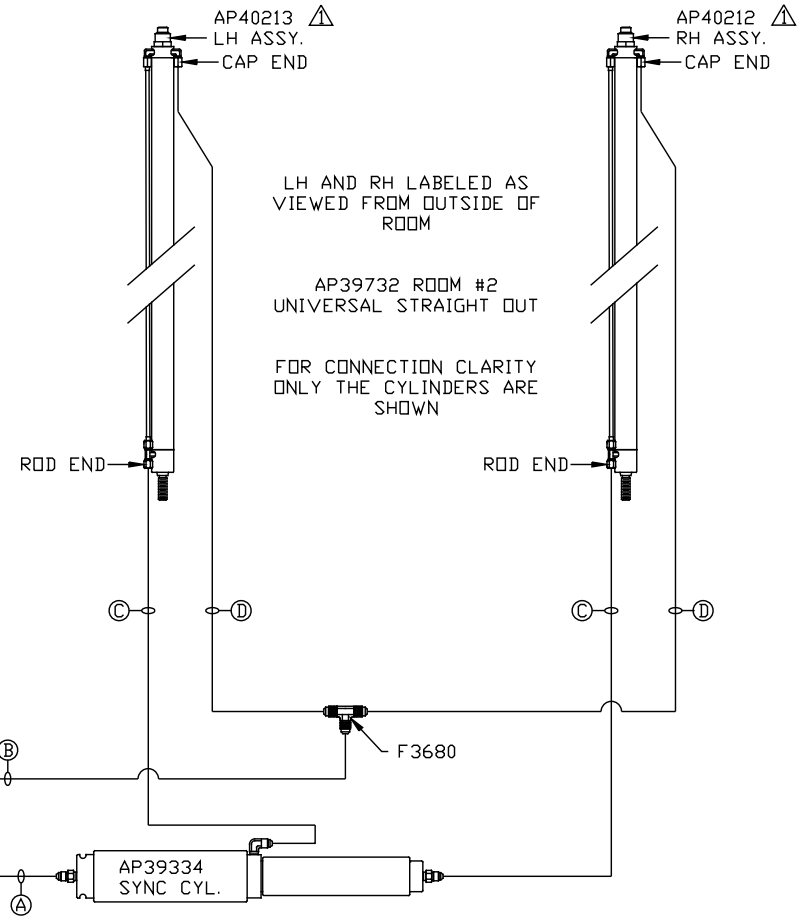
← FRONT

NOTE: HOSES ③ AND ④ ARE INCLUDED WITH THE ROOM EXTENSION MECHANISM

- ① AP24667 HOSE ASSY HWH02HP x 318" ROD END - ALWAYS PRESSURIZED
- ② AP2464 HOSE ASSY .25 x 324" CAP END
- ③ AP25086 HOSE ASSY HWH02HP x 78" WAS AP24631 HOSE ASSY HWH02HP x 42" ROD END - ALWAYS PRESSURIZED - MUST BE HIGH PRESSURE HOSES OF EQUAL LENGTH AND DIAMETER
- ④ AP24819 HOSE ASSY HWH02HP x 100" WAS AP24637 HOSE ASSY HWH02HP x 66" CAP END - MUST MAINTAIN EQUAL LENGTH AND DIAMETER



NOTE: INSTALLATION MUST CONFORM TO GOOD SHOP PRACTICES, SAE STANDARDS, RVIA STANDARDS, AND OTHER APPLICABLE STANDARDS.



MP70564 C/E
01FEB13

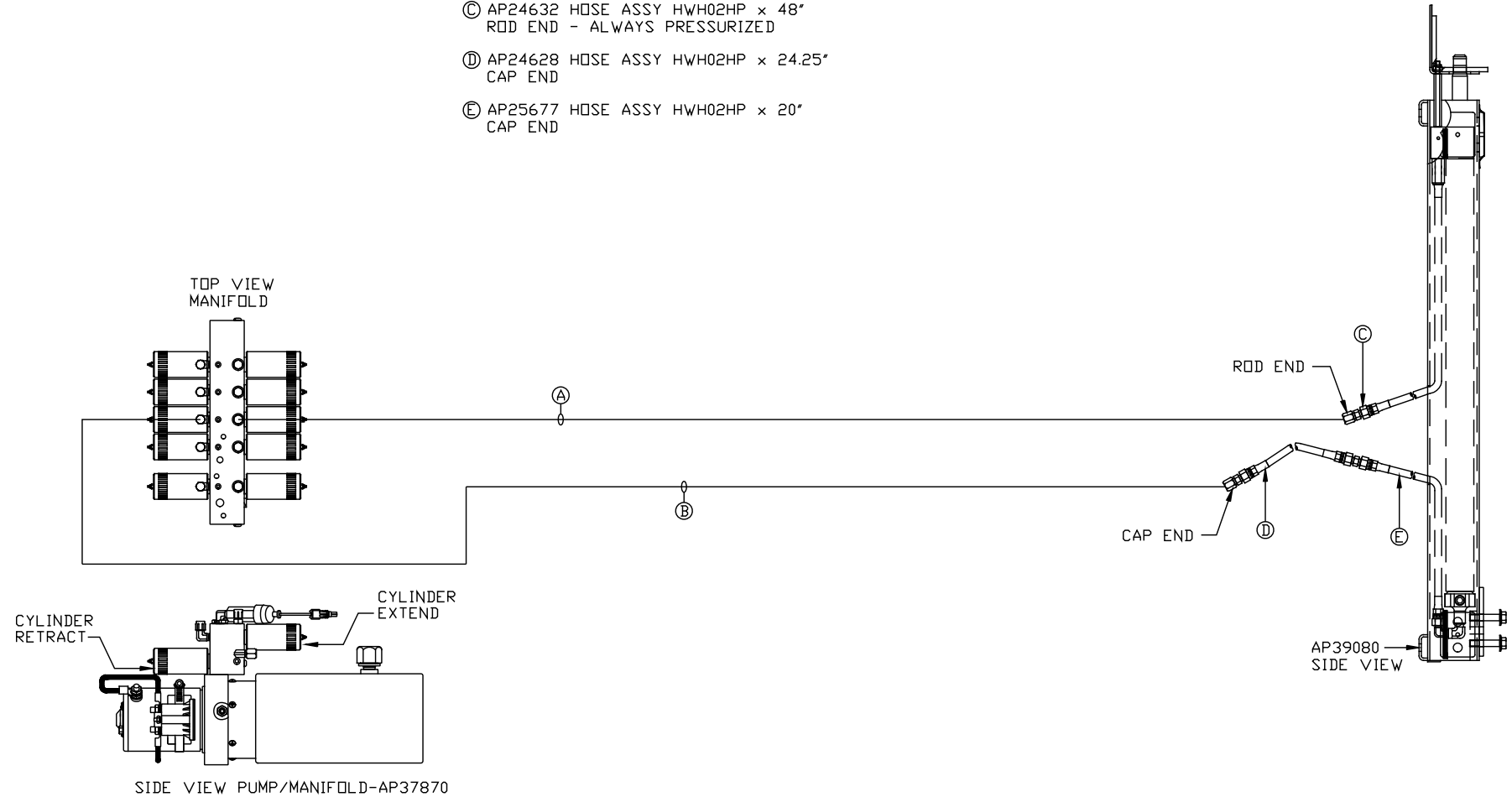
ORIENTATION

← FRONT

NOTE: HOSES ③, ④ AND ⑤ ARE INCLUDED WITH THE ROOM EXTENSION MECHANISM

- ① AP4164 HOSE ASSY .25" x 384"
ROD END - ALWAYS PRESSURIZED
- ② AP4391 HOSE ASSY .25 x 372"
CAP END
- ③ AP24632 HOSE ASSY HWH02HP x 48"
ROD END - ALWAYS PRESSURIZED
- ④ AP24628 HOSE ASSY HWH02HP x 24.25"
CAP END
- ⑤ AP25677 HOSE ASSY HWH02HP x 20"
CAP END

ROOM #3
AP39081
BED SLIDE KIT

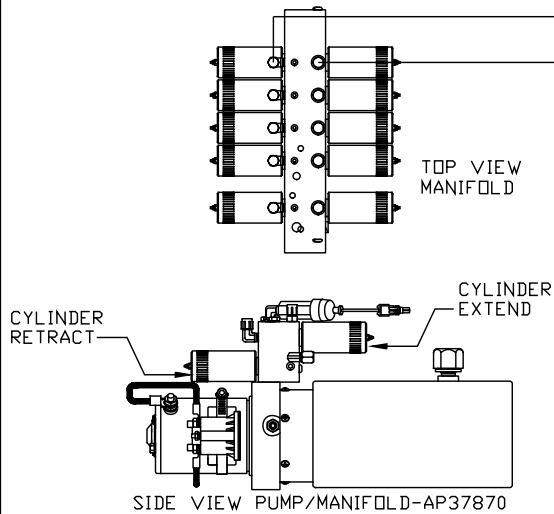


NOTE: INSTALLATION MUST CONFORM TO GOOD SHOP PRACTICES, SAE STANDARDS, RVIA STANDARDS, AND OTHER APPLICABLE STANDARDS.

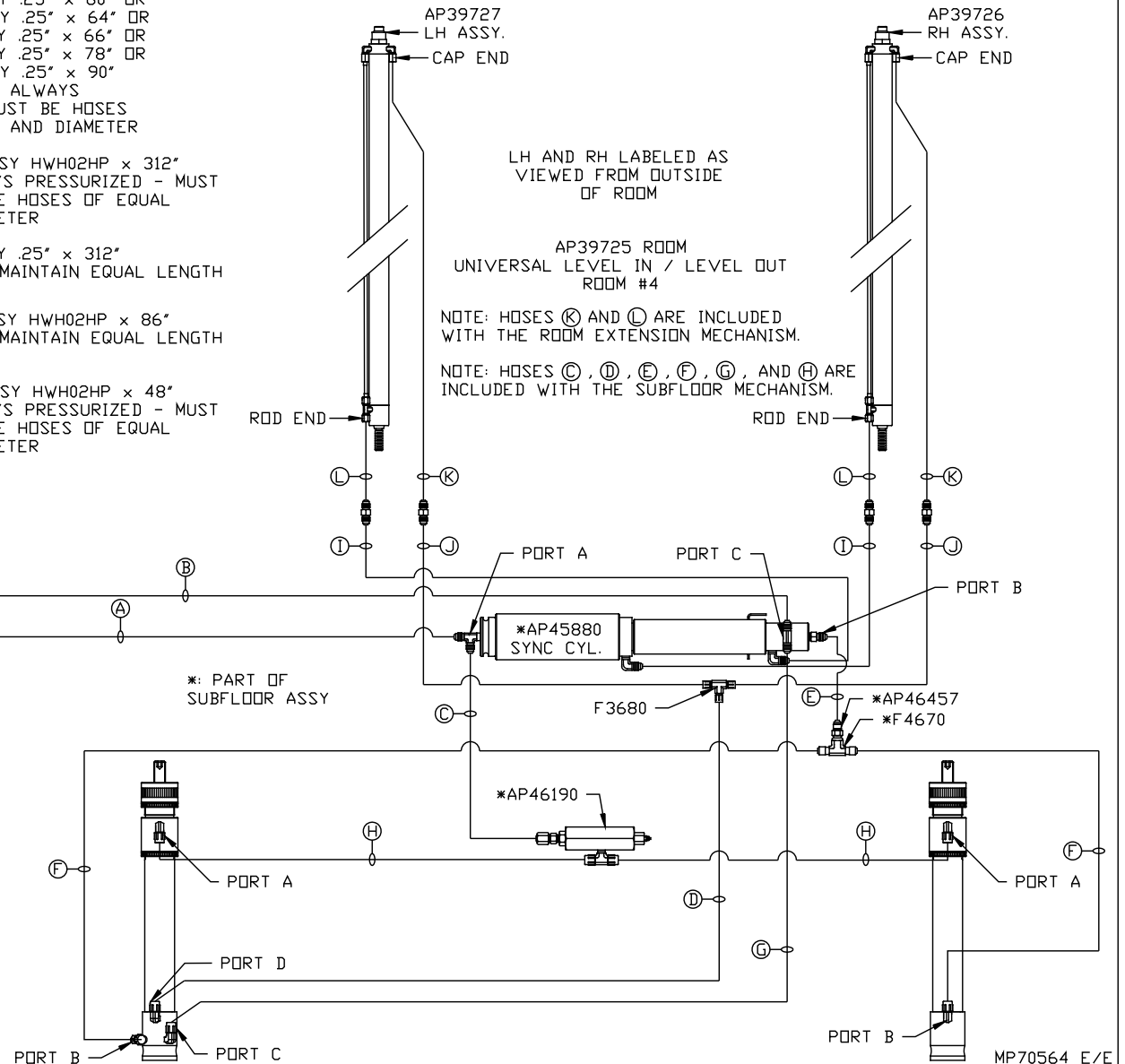
MP70564 D/E
13JUL12

- Ⓐ AP4074 HOSE ASSY .25" x 108"
ROD END - ALWAYS PRESSURIZED
- Ⓑ AP7099 HOSE ASSY .25" x 110"
CAP END
- Ⓒ AP4075 HOSE ASSY .25" x 42"
ROD END - ALWAYS PRESSURIZED (LIFT)
- Ⓓ AP5350 HOSE ASSY .25" x 57" OR
AP7177 HOSE ASSY .25" x 70" OR
AP4767 HOSE ASSY .25" x 80"
CAP END (ROOM)
- Ⓔ AP4218 HOSE ASSY .25" x 40"
CAP END (LIFT)
- Ⓕ AP7177 HOSE ASSY .25" x 70" OR
AP5616 HOSE ASSY .25" x 74" OR
AP5215 HOSE ASSY .25" x 78" OR
AP4905 HOSE ASSY .25" x 87" OR
AP7832 HOSE ASSY .25" x 100"
CAP END (LIFT) - MUST BE HOSES
OF EQUAL LENGTH AND DIAMETER
- Ⓖ AP4062 HOSE ASSY .25" x 132" OR
AP2443 HOSE ASSY .25" x 146"
CAP END (LIFT)

- Ⓗ AP4073 HOSE ASSY .25" x 60" OR
AP4664 HOSE ASSY .25" x 64" OR
AP5351 HOSE ASSY .25" x 66" OR
AP5215 HOSE ASSY .25" x 78" OR
AP2445 HOSE ASSY .25" x 90"
ROD END (LIFT) - ALWAYS
PRESSURIZED - MUST BE HOSES
OF EQUAL LENGTH AND DIAMETER
- Ⓜ AP24667 HOSE ASSY HWH02HP x 312"
ROD END - ALWAYS PRESSURIZED - MUST
BE HIGH PRESSURE HOSES OF EQUAL
LENGTH AND DIAMETER
- Ⓝ AP5216 HOSE ASSY .25" x 312"
CAP END - MUST MAINTAIN EQUAL LENGTH
AND DIAMETER
- Ⓚ AP24818 HOSE ASSY HWH02HP x 86"
CAP END - MUST MAINTAIN EQUAL LENGTH
AND DIAMETER
- Ⓛ AP24632 HOSE ASSY HWH02HP x 48"
ROD END - ALWAYS PRESSURIZED - MUST
BE HIGH PRESSURE HOSES OF EQUAL
LENGTH AND DIAMETER



NOTE: INSTALLATION MUST CONFORM TO GOOD SHOP PRACTICES, SAE STANDARDS, RVIA STANDARDS, AND OTHER APPLICABLE STANDARDS.



MP70564 E/E
13JUL12