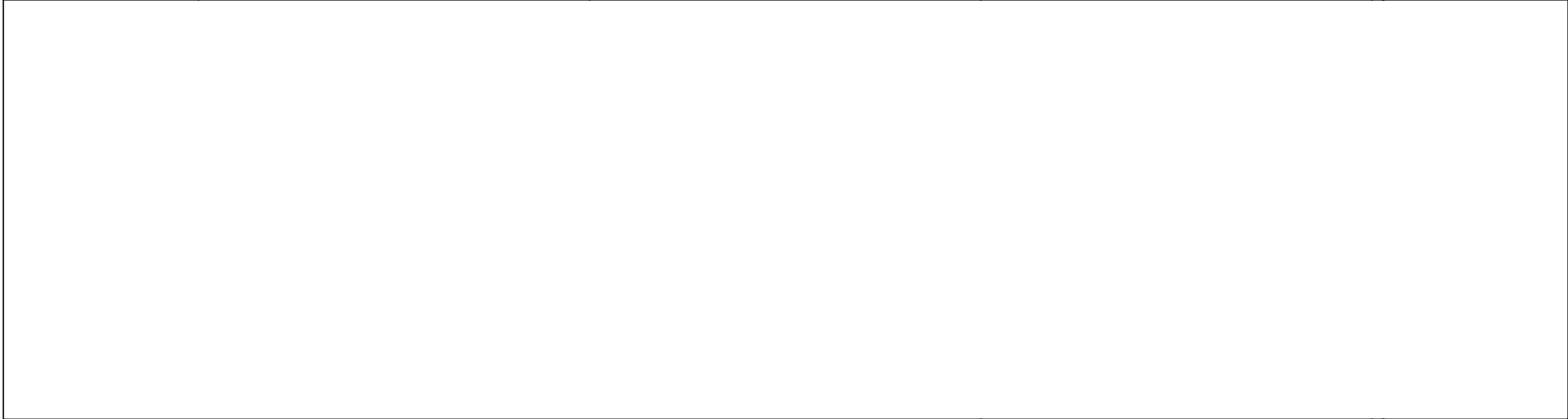


ORIENTATION  
 ← FRONT

AP49032  
 UNIVERSAL STRAIGHT OUT  
 FUNCTION 3  
 "B" ROOM

AP49568  
 UNIVERSAL STRAIGHT OUT  
 FUNCTION 2  
 "B" ROOM



AP49568  
 UNIVERSAL STRAIGHT OUT  
 FUNCTION 1  
 "B" ROOM

NOTE: INSTALLATION MUST CONFORM TO GOOD SHOP PRACTICES, SAE STANDARDS, RVIA STANDARDS, AND OTHER APPLICABLE STANDARDS.

LEVELING SYSTEM: AP50755

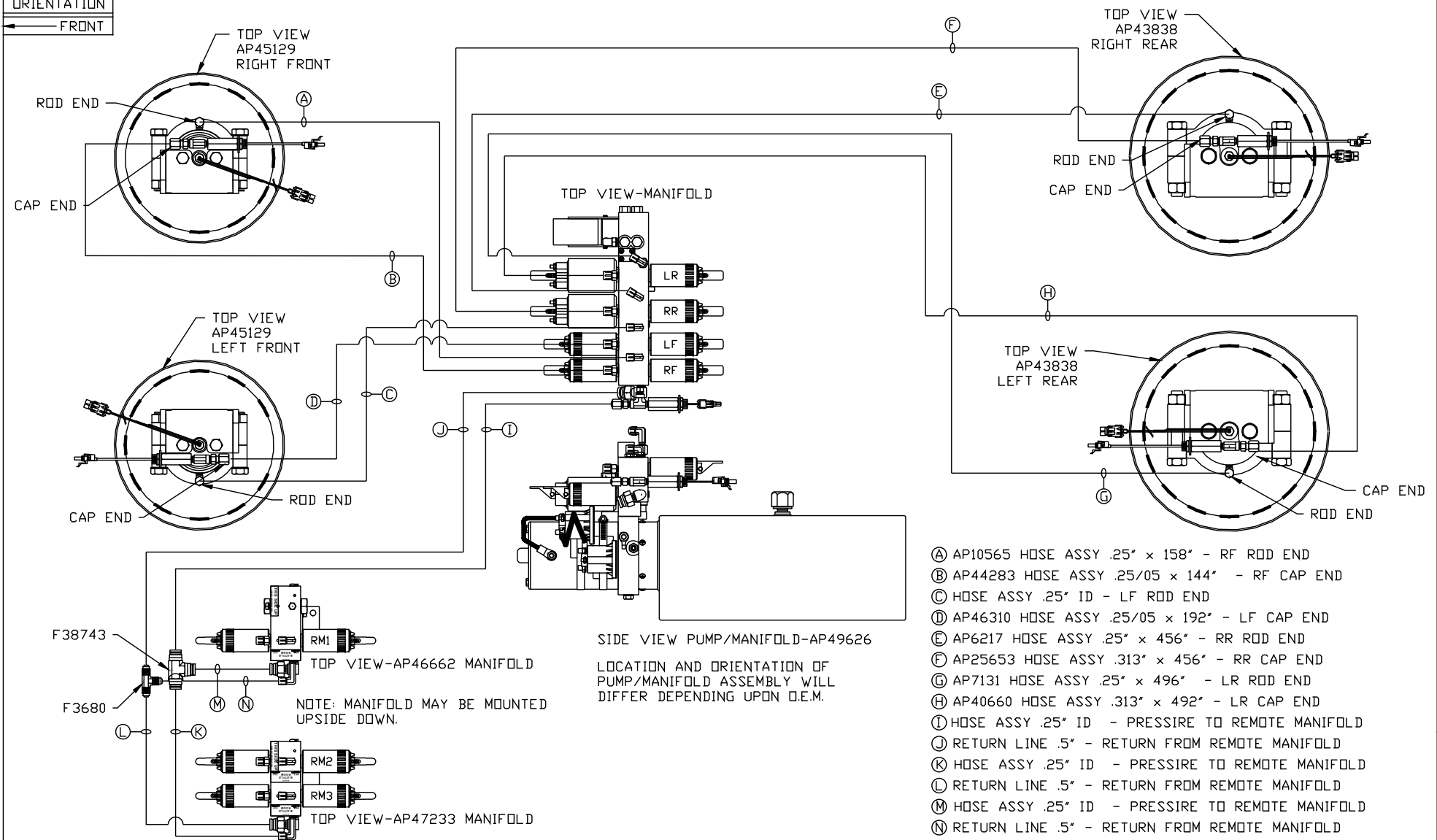
NO.	DATE	REVISION

HWH		I-80 EXIT 267 SOUTH	
		RT 1 MOSCOW, IOWA 52760	
SCALE 1:6	DATE 01AUG12	DRAWN BY .	
HYD CONN DIAGRAM			
CT COACHWORKS		DRAWING NUMBER MP70569 A/E	

THE INFORMATION DISCLOSED ON THIS DRAWING IS CONFIDENTIAL AND MUST NOT BE DISCLOSED OR USED IN ANY MANNER WHICH WILL BE DETRIMENTAL TO THE HWH CORPORATION

ORIENTATION

← FRONT



- Ⓐ AP10565 HOSE ASSY .25" x 158" - RF ROD END
- Ⓑ AP44283 HOSE ASSY .25/05 x 144" - RF CAP END
- Ⓒ HOSE ASSY .25" ID - LF ROD END
- Ⓓ AP46310 HOSE ASSY .25/05 x 192" - LF CAP END
- Ⓔ AP6217 HOSE ASSY .25" x 456" - RR ROD END
- Ⓕ AP25653 HOSE ASSY .313" x 456" - RR CAP END
- Ⓖ AP7131 HOSE ASSY .25" x 496" - LR ROD END
- Ⓗ AP40660 HOSE ASSY .313" x 492" - LR CAP END
- ① HOSE ASSY .25" ID - PRESSURE TO REMOTE MANIFOLD
- ② RETURN LINE .5" - RETURN FROM REMOTE MANIFOLD
- ③ HOSE ASSY .25" ID - PRESSURE TO REMOTE MANIFOLD
- ④ RETURN LINE .5" - RETURN FROM REMOTE MANIFOLD
- ⑤ HOSE ASSY .25" ID - PRESSURE TO REMOTE MANIFOLD
- ⑥ RETURN LINE .5" - RETURN FROM REMOTE MANIFOLD

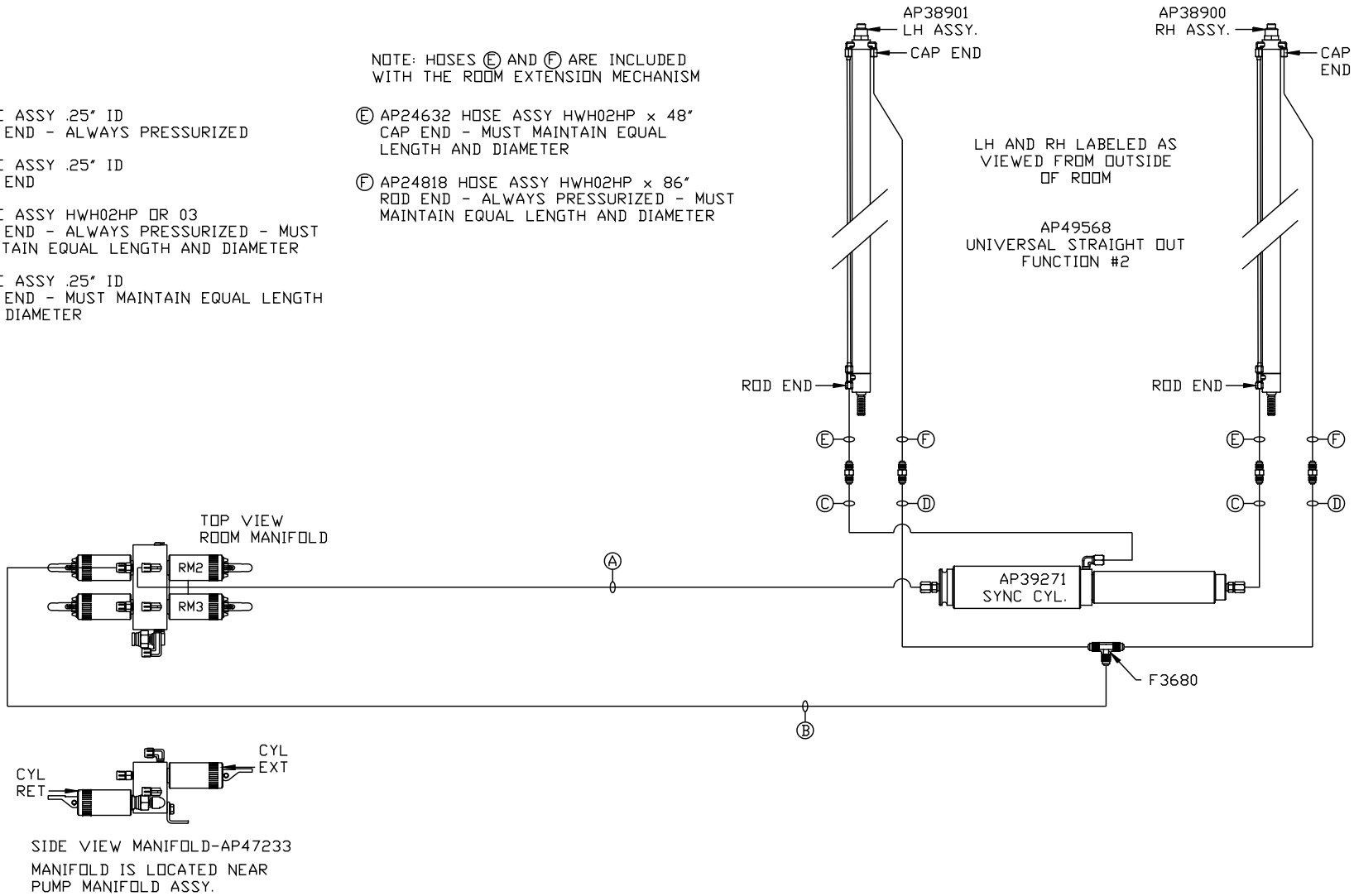
NOTE: INSTALLATION MUST CONFORM TO GOOD SHOP PRACTICES, SAE STANDARDS, RVIA STANDARDS, AND OTHER APPLICABLE STANDARDS.

MP70569 B/E  
01AUG12



- Ⓐ HOSE ASSY .25" ID  
ROD END - ALWAYS PRESSURIZED
- Ⓑ HOSE ASSY .25" ID  
CAP END
- Ⓒ HOSE ASSY HWH02HP OR 03  
ROD END - ALWAYS PRESSURIZED - MUST  
MAINTAIN EQUAL LENGTH AND DIAMETER
- Ⓓ HOSE ASSY .25" ID  
CAP END - MUST MAINTAIN EQUAL LENGTH  
AND DIAMETER

- NOTE: HOSES Ⓔ AND Ⓕ ARE INCLUDED  
WITH THE ROOM EXTENSION MECHANISM
- Ⓔ AP24632 HOSE ASSY HWH02HP x 48"  
CAP END - MUST MAINTAIN EQUAL  
LENGTH AND DIAMETER
  - Ⓕ AP24818 HOSE ASSY HWH02HP x 86"  
ROD END - ALWAYS PRESSURIZED - MUST  
MAINTAIN EQUAL LENGTH AND DIAMETER



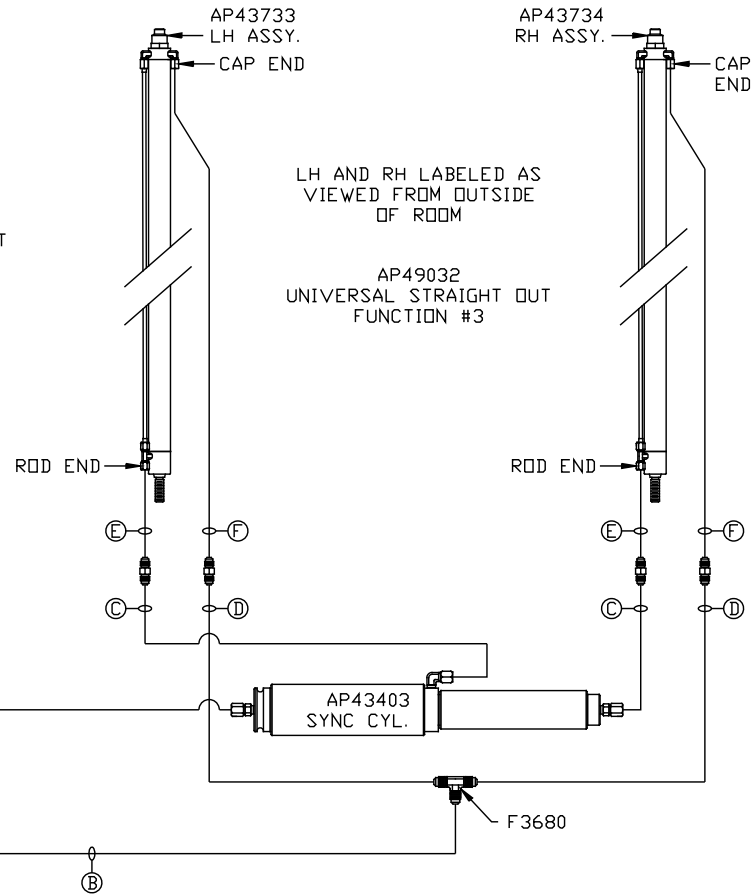
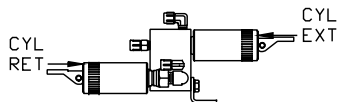
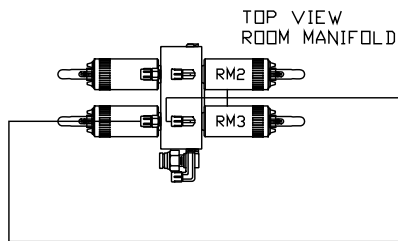
NOTE: INSTALLATION MUST CONFORM TO GOOD SHOP PRACTICES, SAE  
STANDARDS, RVIA STANDARDS, AND OTHER APPLICABLE STANDARDS.

MP70569 D/E  
01AUG12

- Ⓐ HOSE ASSY .25" ID  
ROD END - ALWAYS PRESSURIZED
- Ⓑ HOSE ASSY .25" ID  
CAP END
- Ⓒ HOSE ASSY HWH02HP OR 03  
ROD END - ALWAYS PRESSURIZED - MUST  
MAINTAIN EQUAL LENGTH AND DIAMETER
- Ⓓ HOSE ASSY .25" ID  
CAP END - MUST MAINTAIN EQUAL LENGTH  
AND DIAMETER

NOTE: HOSES Ⓔ AND Ⓕ ARE INCLUDED  
WITH THE ROOM EXTENSION MECHANISM

- Ⓔ AP24632 HOSE ASSY HWH02HP x 48"  
CAP END - MUST MAINTAIN EQUAL  
LENGTH AND DIAMETER
- Ⓕ AP24818 HOSE ASSY HWH02HP x 86"  
ROD END - ALWAYS PRESSURIZED - MUST  
MAINTAIN EQUAL LENGTH AND DIAMETER



NOTE: INSTALLATION MUST CONFORM TO GOOD SHOP PRACTICES, SAE  
STANDARDS, RVIA STANDARDS, AND OTHER APPLICABLE STANDARDS.

MP70569 E/E  
01AUG12