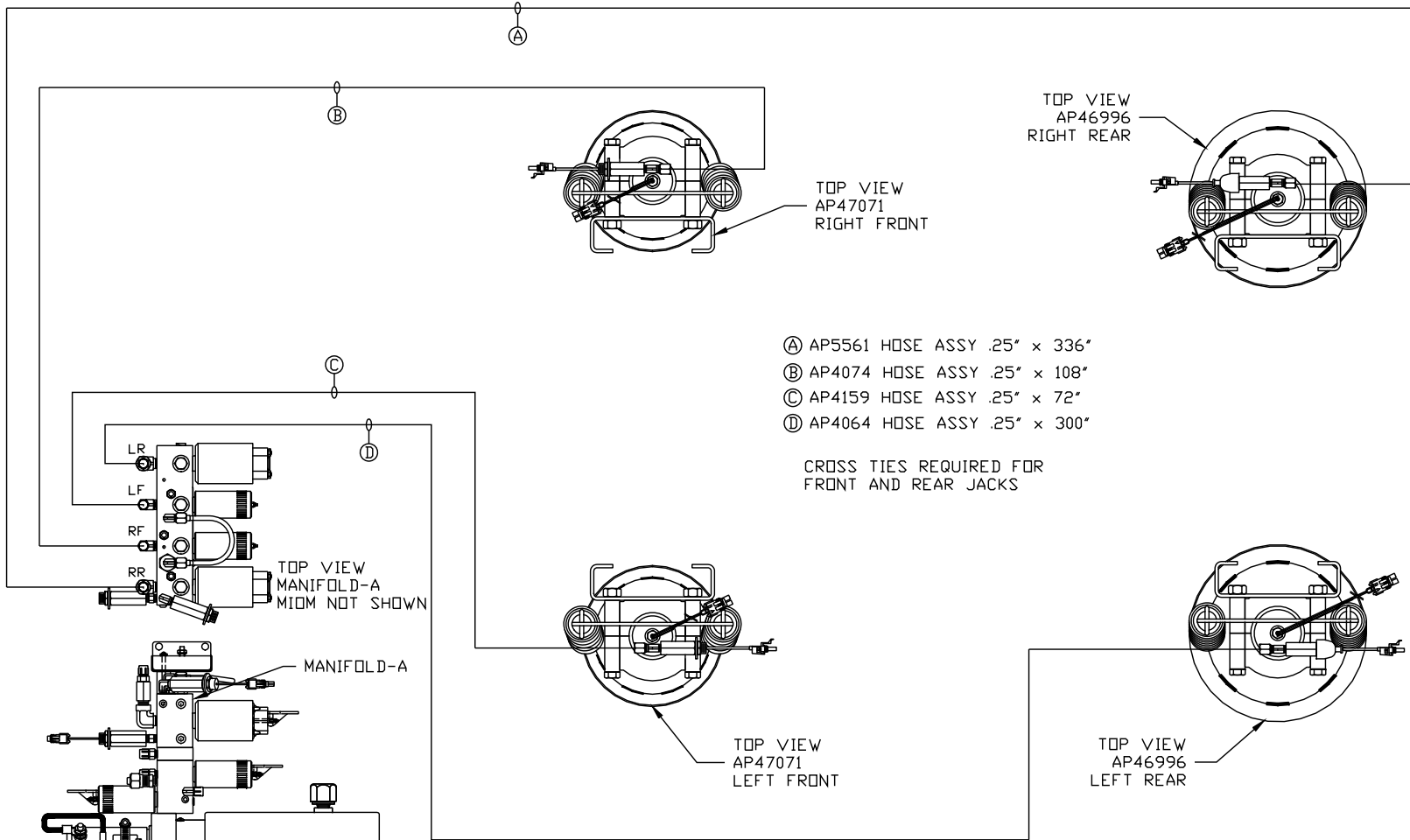


ORIENTATION

← FRONT



- Ⓐ AP5561 HOSE ASSY .25" x 336"
- Ⓑ AP4074 HOSE ASSY .25" x 108"
- Ⓒ AP4159 HOSE ASSY .25" x 72"
- Ⓓ AP4064 HOSE ASSY .25" x 300"

CROSS TIES REQUIRED FOR FRONT AND REAR JACKS

SIDE VIEW PUMP/MANIFOLD-AP50990

LOCATION AND ORIENTATION OF PUMP/MANIFOLD ASSEMBLY WILL DIFFER DEPENDING UPON O.E.M.

NOTE: INSTALLATION MUST CONFORM TO GOOD SHOP PRACTICES, SAE STANDARDS, RVIA STANDARDS, AND OTHER APPLICABLE STANDARDS.

SYNC KIT: AP47699
LEVELING SYSTEM: AP47694

NO.	DATE	REVISION

THE INFORMATION DISCLOSED ON THIS DRAWING IS CONFIDENTIAL AND MUST NOT BE DISCLOSED OR USED IN ANY MANNER WHICH WILL BE DETRIMENTAL TO THE HWH CORPORATION

HWH I-80 EXIT 267 SOUTH
RT 1 MOSCOW, IOWA 52760

SCALE 1:6 DATE 19SEP12 DRAWN BY .

HYD CONN DIAGRAM

TIFFIN

DRAWING NUMBER
MP70595 A/C

Ⓐ AP3314 HOSE ASSY .25" x 48"
ROD END - ALWAYS PRESSURIZED

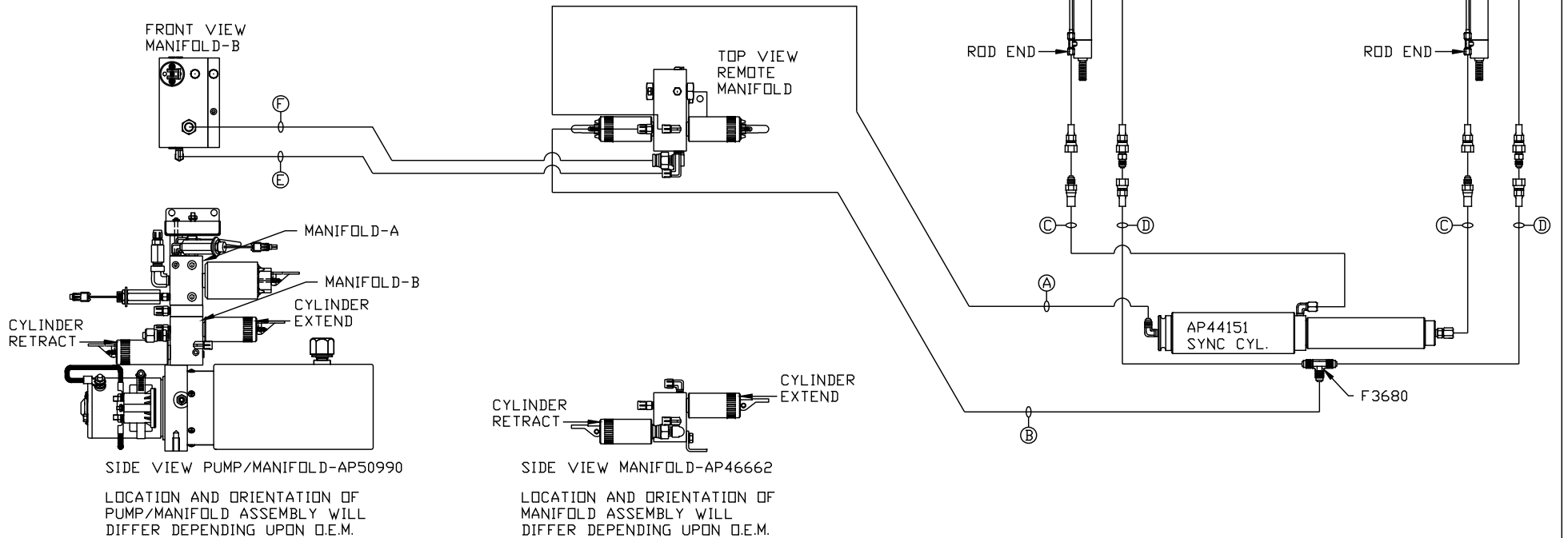
Ⓑ AP4059 HOSE ASSY .25" x 36"
CAP END

Ⓒ AP50991 HOSE ASSY 03 x 126" MF
ROD END - ALWAYS PRESSURIZED - MUST
MAINTAIN EQUAL LENGTH AND DIAMETER

Ⓓ AP1411 HOSE ASSY .25" x 124"
CAP END - MUST MAINTAIN EQUAL LENGTH
AND DIAMETER

Ⓔ AP2465 HOSE ASSY .25" x 348"
PRESSURE

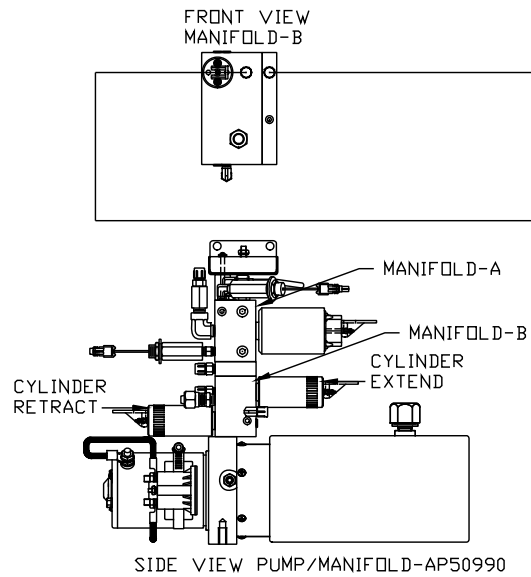
Ⓕ P51037 RETURN LINE .5" x 348"
RETURN



NOTE: INSTALLATION MUST CONFORM TO GOOD SHOP PRACTICES, SAE
STANDARDS, RVIA STANDARDS, AND OTHER APPLICABLE STANDARDS.

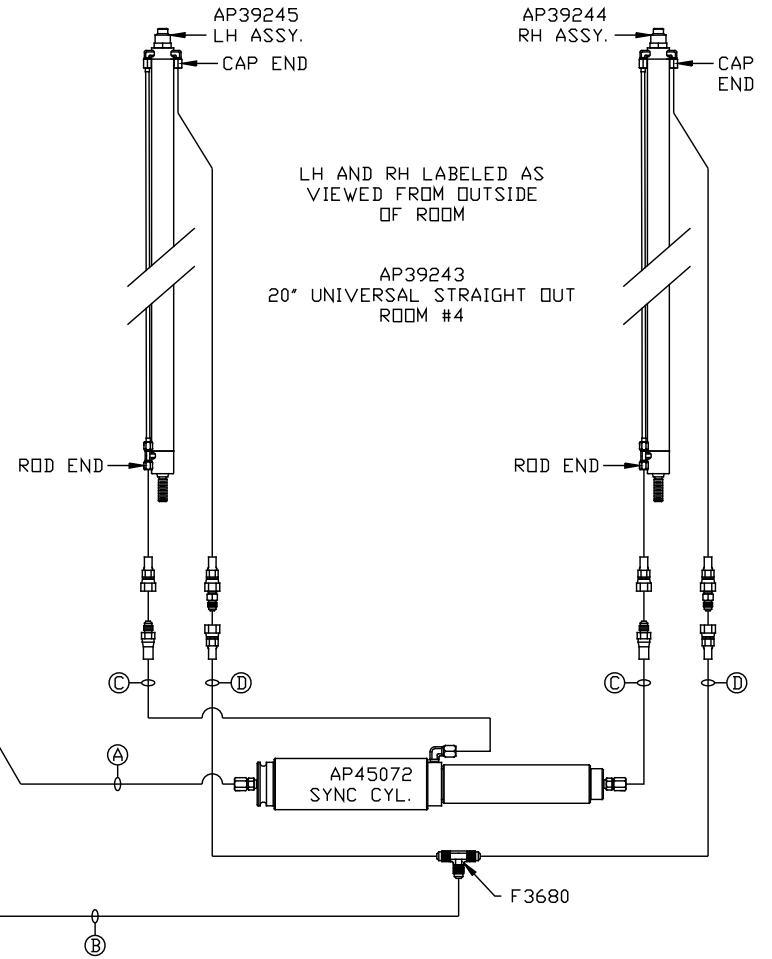
MP70595 B/C
19SEP12

- Ⓐ AP5352 HOSE ASSY .25" x 96"
ROD END - ALWAYS PRESSURIZED
- Ⓑ AP4159 HOSE ASSY .25" x 72"
CAP END
- Ⓒ AP50992 HOSE ASSY 03 x 198"
ROD END - ALWAYS PRESSURIZED - MUST
MAINTAIN EQUAL LENGTH AND DIAMETER
- Ⓓ AP6601 HOSE ASSY .25" x 198"
CAP END - MUST MAINTAIN EQUAL LENGTH
AND DIAMETER



LOCATION AND ORIENTATION OF
PUMP/MANIFOLD ASSEMBLY WILL
DIFFER DEPENDING UPON O.E.M.

NOTE: INSTALLATION MUST CONFORM TO GOOD SHOP PRACTICES, SAE
STANDARDS, RVIA STANDARDS, AND OTHER APPLICABLE STANDARDS.



MP70595 C/C
19SEP12