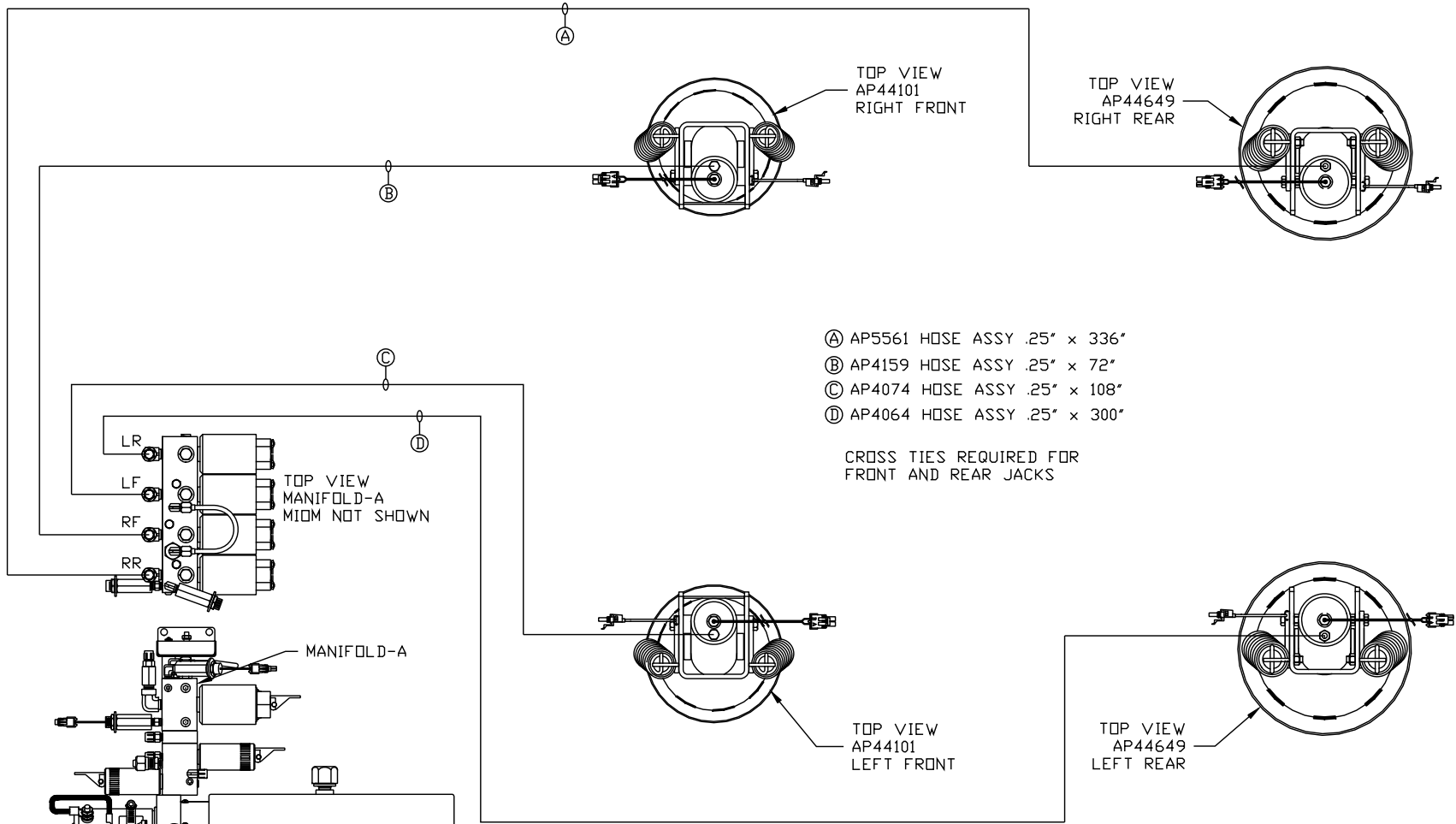
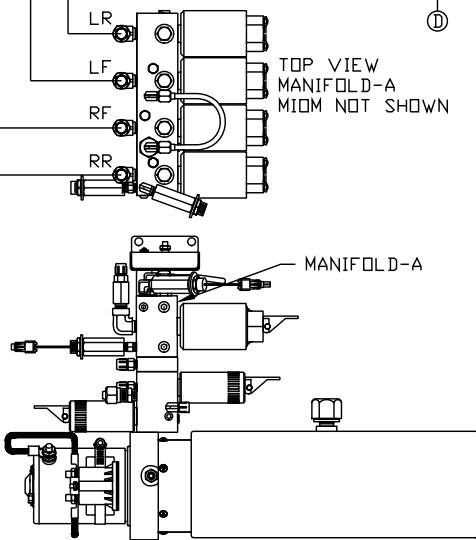


ORIENTATION  
← FRONT



- Ⓐ AP5561 HOSE ASSY .25" x 336"
- Ⓑ AP4159 HOSE ASSY .25" x 72"
- Ⓒ AP4074 HOSE ASSY .25" x 108"
- Ⓓ AP4064 HOSE ASSY .25" x 300"

CROSS TIES REQUIRED FOR FRONT AND REAR JACKS



SIDE VIEW PUMP/MANIFOLD-AP50265  
LOCATION AND ORIENTATION OF PUMP/MANIFOLD ASSEMBLY WILL DIFFER DEPENDING UPON O.E.M.

NOTE: INSTALLATION MUST CONFORM TO GOOD SHOP PRACTICES, SAE STANDARDS, RVIA STANDARDS, AND OTHER APPLICABLE STANDARDS.

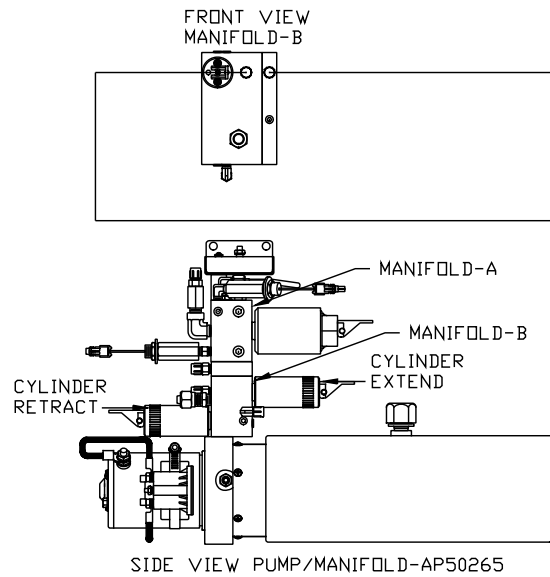
NO.	DATE	REVISION

SYNC KIT: AP44561  
 PUMP KIT: AP49375  
 JACK KIT: AP48795

**HWH** I-80 EXIT 267 SOUTH  
 RT 1 MOSCOW, IOWA 52760  
 SCALE 1:6 DATE 19SEP12 DRAWN BY .  
**HYD CONN DIAGRAM**  
 TIFFIN DRAWING NUMBER  
 MP70596 A/C

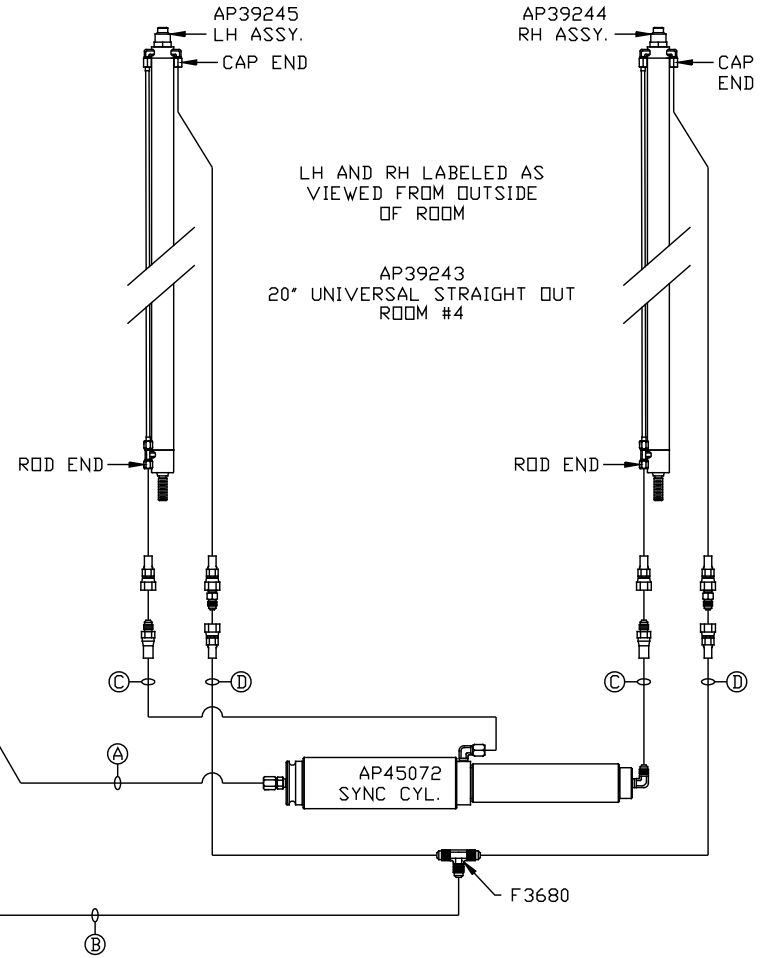


- Ⓐ AP4159 HOSE ASSY .25" x 72"  
ROD END - ALWAYS PRESSURIZED
- Ⓑ AP5352 HOSE ASSY .25" x 96"  
CAP END
- Ⓒ AP50992 HOSE ASSY 03 x 198" MF  
ROD END - ALWAYS PRESSURIZED - MUST  
MAINTAIN EQUAL LENGTH AND DIAMETER
- Ⓓ AP6601 HOSE ASSY .25" x 198"  
CAP END - MUST MAINTAIN EQUAL LENGTH  
AND DIAMETER



LOCATION AND ORIENTATION OF  
PUMP/MANIFOLD ASSEMBLY WILL  
DIFFER DEPENDING UPON O.E.M.

NOTE: INSTALLATION MUST CONFORM TO GOOD SHOP PRACTICES, SAE  
STANDARDS, RVIA STANDARDS, AND OTHER APPLICABLE STANDARDS.



MP70596 C/C  
19SEP12