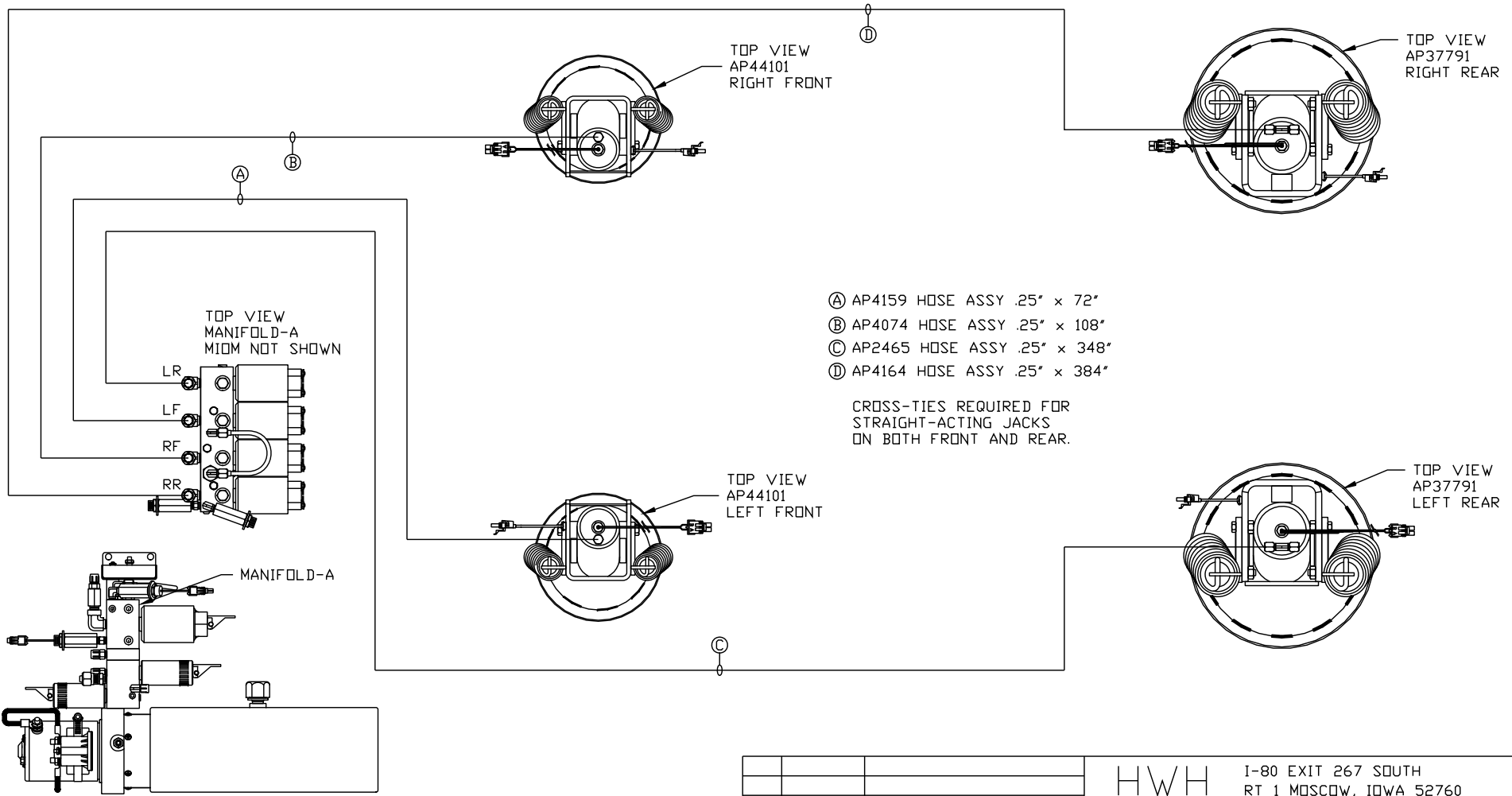


ORIENTATION  
 ← FRONT



- Ⓐ AP4159 HOSE ASSY .25" x 72"
- Ⓑ AP4074 HOSE ASSY .25" x 108"
- Ⓒ AP2465 HOSE ASSY .25" x 348"
- Ⓓ AP4164 HOSE ASSY .25" x 384"

CROSS-TIES REQUIRED FOR STRAIGHT-ACTING JACKS ON BOTH FRONT AND REAR.

NO.	DATE	REVISION

HWH			I-80 EXIT 267 SOUTH RT 1 MOSCOW, IOWA 52760		
SCALE 1:6	DATE 19SEP12	DRAWN BY .			
HYD CONN DIAGRAM					
TIFFIN				DRAWING NUMBER MP70598 A/C	

NOTE: INSTALLATION MUST CONFORM TO GOOD SHOP PRACTICES, SAE STANDARDS, RVIA STANDARDS, AND OTHER APPLICABLE STANDARDS.

SYNC KIT: AP48797  
 PUMP KIT: AP49375  
 JACK KIT: AP48796

THE INFORMATION DISCLOSED ON THIS DRAWING IS CONFIDENTIAL AND MUST NOT BE DISCLOSED OR USED IN ANY MANNER WHICH WILL BE DETRIMENTAL TO THE HWH CORPORATION

Ⓐ AP5352 HOSE ASSY .25" x 96"  
ROD END - ALWAYS PRESSURIZED

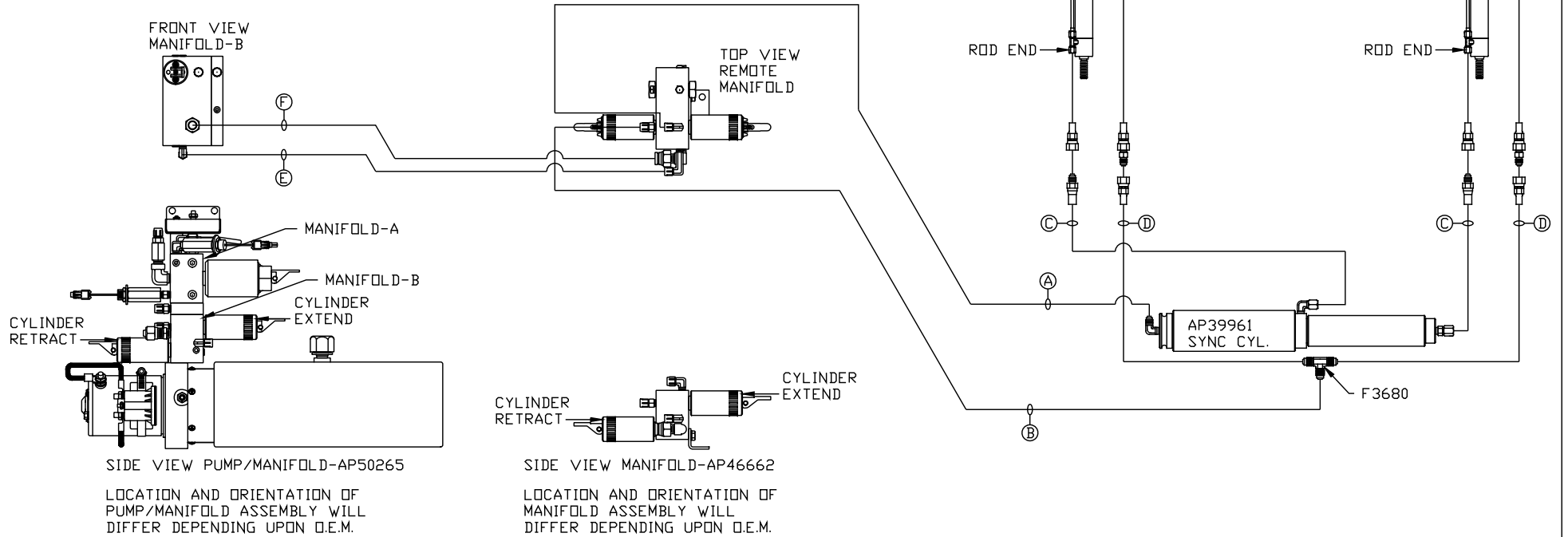
Ⓑ AP4074 HOSE ASSY .25" x 108"  
CAP END

Ⓒ AP50597 HOSE ASSY 03 x 174" MF  
ROD END - ALWAYS PRESSURIZED - MUST  
MAINTAIN EQUAL LENGTH AND DIAMETER

Ⓓ AP7358 HOSE ASSY .25" x 175"  
CAP END - MUST MAINTAIN EQUAL LENGTH  
AND DIAMETER

Ⓔ AP6117 HOSE ASSY .25" x 432"  
PRESSURE

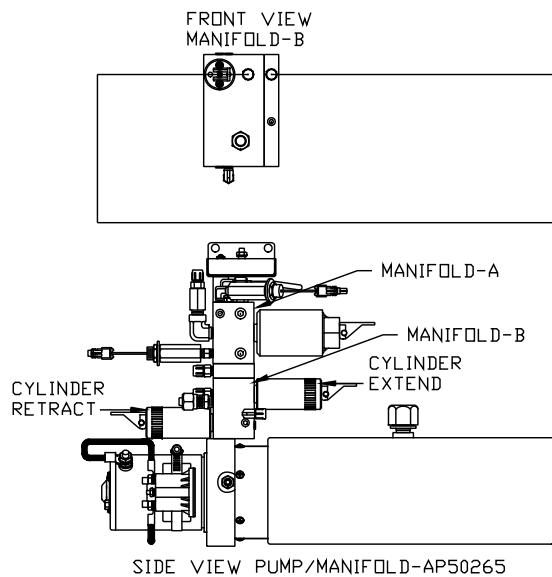
Ⓕ P49011 RETURN LINE .5" x 432"  
RETURN



NOTE: INSTALLATION MUST CONFORM TO GOOD SHOP PRACTICES, SAE  
STANDARDS, RVIA STANDARDS, AND OTHER APPLICABLE STANDARDS.

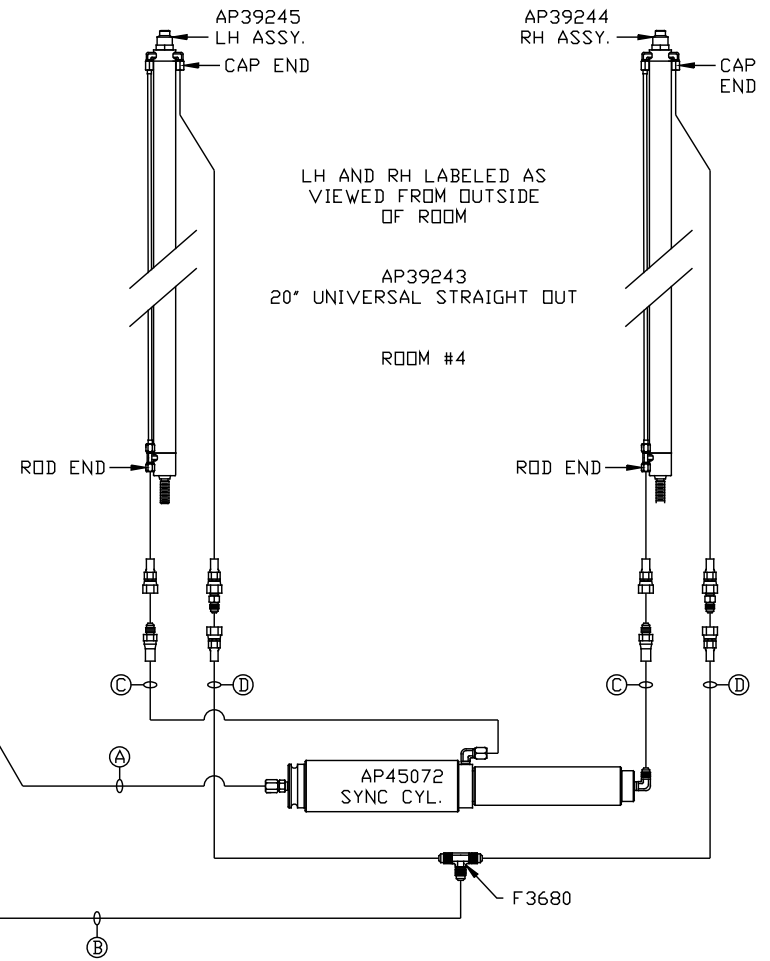
MP70598 B/C  
19SEP12

- Ⓐ AP4159 HOSE ASSY .25" x 72"  
ROD END - ALWAYS PRESSURIZED
- Ⓑ AP5352 HOSE ASSY .25" x 96"  
CAP END
- Ⓒ AP50164 HOSE ASSY 03 x 222" MF  
ROD END - ALWAYS PRESSURIZED - MUST  
MAINTAIN EQUAL LENGTH AND DIAMETER
- Ⓓ AP50163 HOSE ASSY .25" x 222"  
CAP END - MUST MAINTAIN EQUAL LENGTH  
AND DIAMETER



LOCATION AND ORIENTATION OF  
PUMP/MANIFOLD ASSEMBLY WILL  
DIFFER DEPENDING UPON O.E.M.

NOTE: INSTALLATION MUST CONFORM TO GOOD SHOP PRACTICES, SAE  
STANDARDS, RVIA STANDARDS, AND OTHER APPLICABLE STANDARDS.



MP70598 C/C  
19SEP12