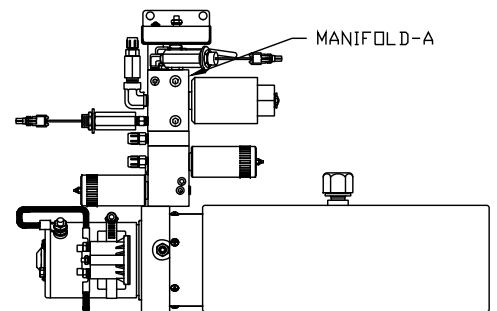
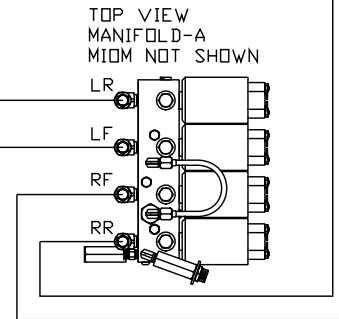
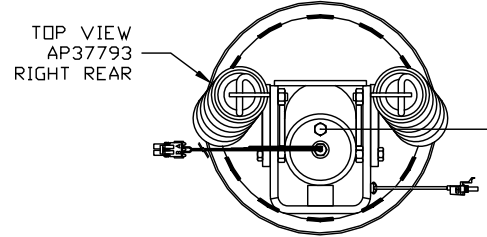
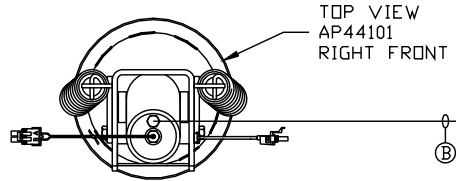


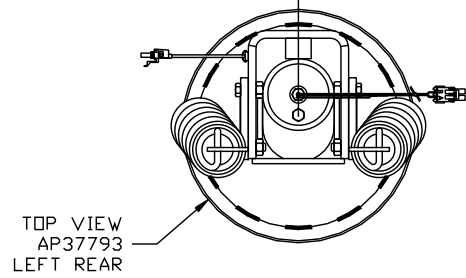
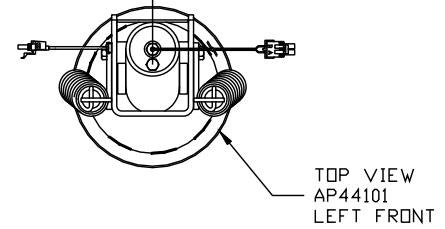
ORIENTATION  
← FRONT



SIDE VIEW PUMP/MANIFOLD-AP48130  
LOCATION AND ORIENTATION OF  
PUMP/MANIFOLD ASSEMBLY WILL  
DIFFER DEPENDING UPON O.E.M.

- Ⓐ AP7832 HOSE ASSY .25" x 100"
- Ⓑ AP4669 HOSE ASSY .25" x 408"
- Ⓒ AP7130 HOSE ASSY .25" x 412"
- Ⓓ AP4161 HOSE ASSY .25" x 120"

CROSS TIES REQUIRED FOR  
FRONT AND REAR JACKS

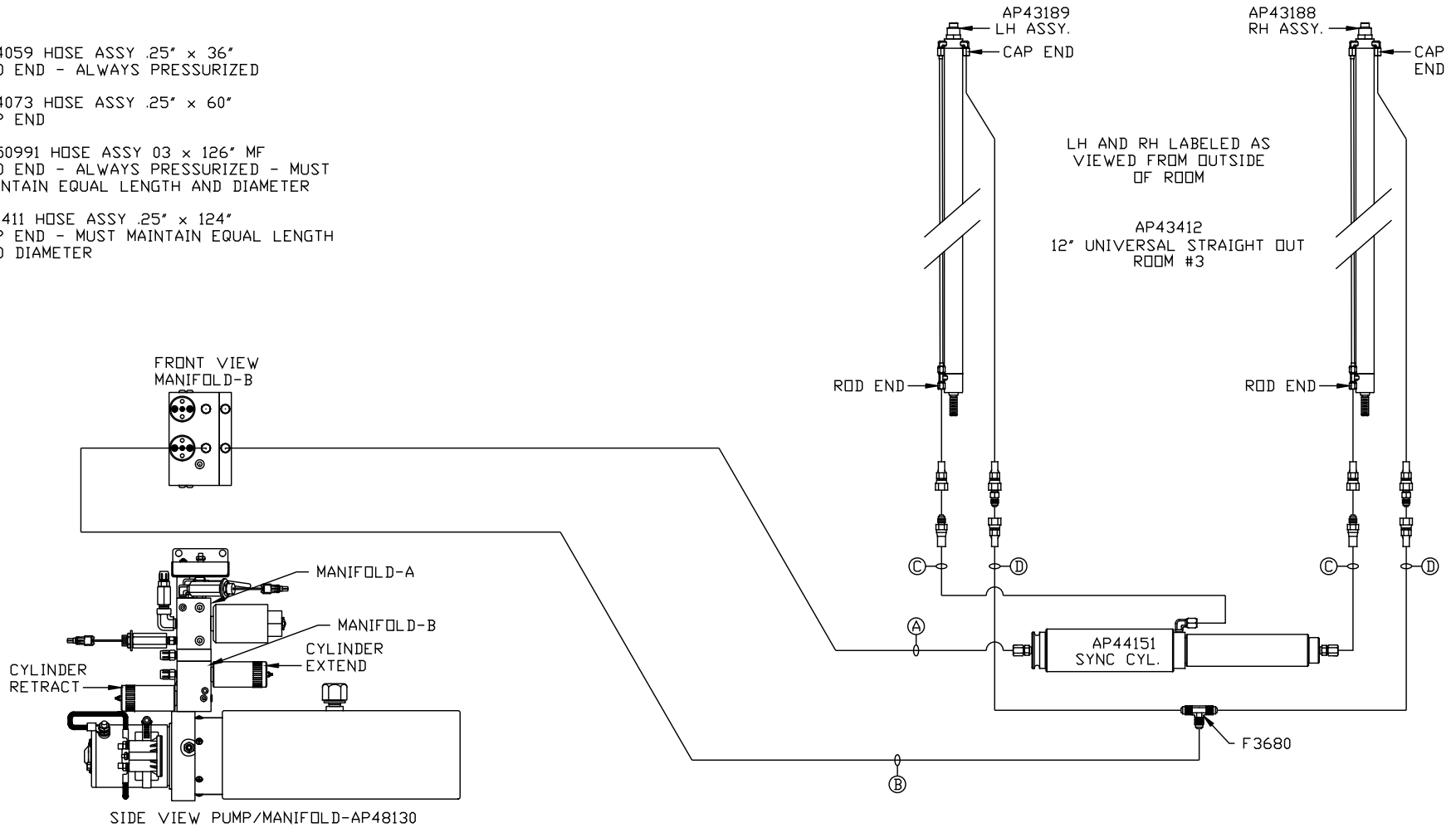


NOTE: INSTALLATION MUST CONFORM TO GOOD SHOP PRACTICES, SAE STANDARDS, RVIA STANDARDS, AND OTHER APPLICABLE STANDARDS.

|                   |  |      |          |
|-------------------|--|------|----------|
| SYNC KIT: AP48066 | NO.  | DATE | REVISION |
| PUMP KIT: AP48122 | THE INFORMATION DISCLOSED ON THIS DRAWING IS CONFIDENTIAL AND MUST NOT BE DISCLOSED OR USED IN ANY MANNER WHICH WILL BE DETRIMENTAL TO THE HWH CORPORATION |      |          |
| JACK KIT: AP48120 |  |      |          |

|                  |              |            |  |  |
|------------------|--------------|------------|--|--|
| HWH              |              |            | I-80 EXIT 267 SOUTH<br>RT 1 MOSCOW, IOWA 52760 |  |
| SCALE 1:6        | DATE 18SEP12 | DRAWN BY . |  |  |
| HYD CONN DIAGRAM |              |            |  |  |
| TIFFIN           |              |            | DRAWING NUMBER<br>MP70599 A/C                  |  |

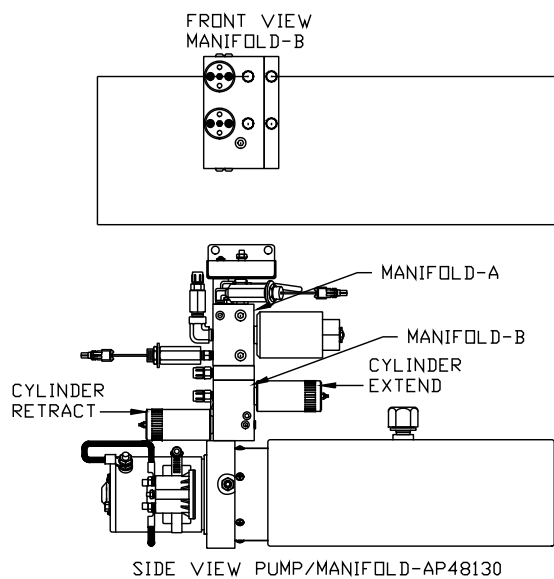
- Ⓐ AP4059 HOSE ASSY .25" x 36"  
ROD END - ALWAYS PRESSURIZED
- Ⓑ AP4073 HOSE ASSY .25" x 60"  
CAP END
- Ⓒ AP50991 HOSE ASSY 03 x 126" MF  
ROD END - ALWAYS PRESSURIZED - MUST  
MAINTAIN EQUAL LENGTH AND DIAMETER
- Ⓓ AP1411 HOSE ASSY .25" x 124"  
CAP END - MUST MAINTAIN EQUAL LENGTH  
AND DIAMETER



NOTE: INSTALLATION MUST CONFORM TO GOOD SHOP PRACTICES, SAE STANDARDS, RVIA STANDARDS, AND OTHER APPLICABLE STANDARDS.

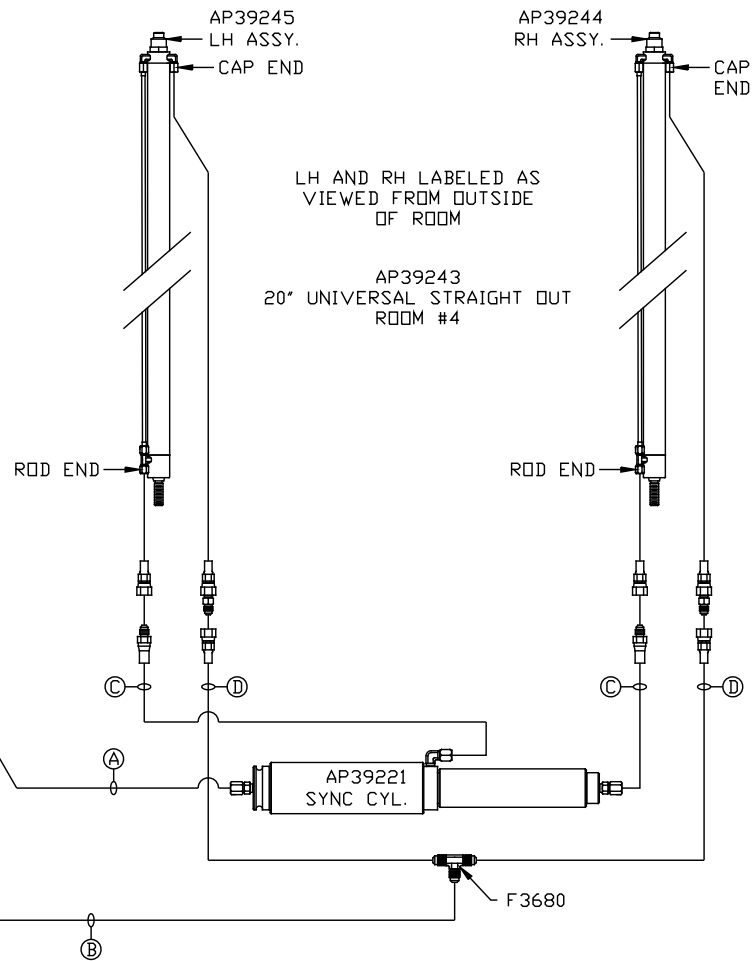
MP70599 B/C  
18SEP12

- Ⓐ AP50598 HOSE ASSY 03 × 372"  
ROD END - ALWAYS PRESSURIZED
- Ⓑ AP10256 HOSE ASSY .25" × 366"  
CAP END
- Ⓒ AP50993 HOSE ASSY 03 × 228" MF  
ROD END - ALWAYS PRESSURIZED - MUST  
MAINTAIN EQUAL LENGTH AND DIAMETER
- Ⓓ AP50163 HOSE ASSY .25" × 222"  
CAP END - MUST MAINTAIN EQUAL LENGTH  
AND DIAMETER



LOCATION AND ORIENTATION OF  
PUMP/MANIFOLD ASSEMBLY WILL  
DIFFER DEPENDING UPON O.E.M.

NOTE: INSTALLATION MUST CONFORM TO GOOD SHOP PRACTICES, SAE  
STANDARDS, RVIA STANDARDS, AND OTHER APPLICABLE STANDARDS.



MP70599 C/C  
18SEP12