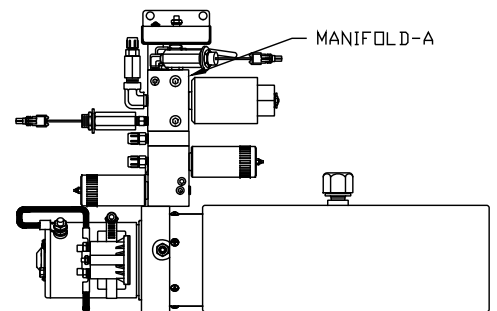
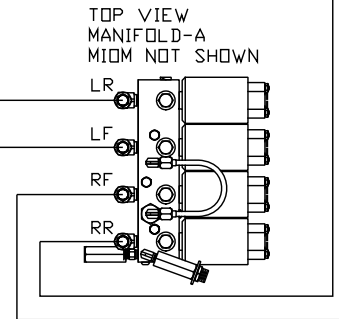
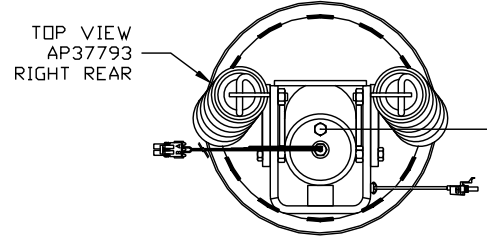
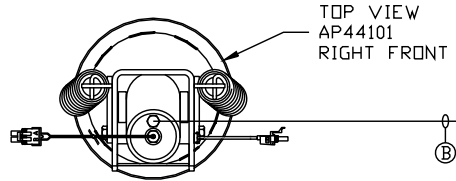


ORIENTATION
← FRONT

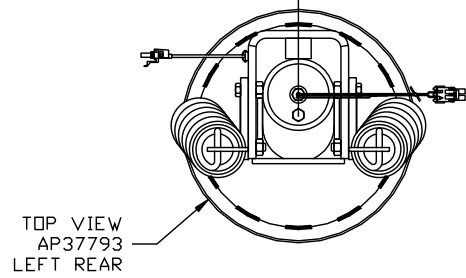
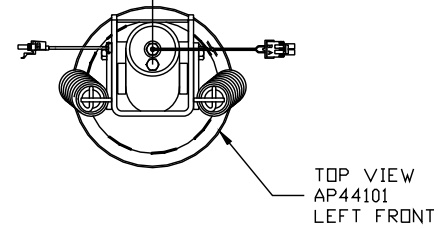


SIDE VIEW PUMP/MANIFOLD-AP48130

LOCATION AND ORIENTATION OF
PUMP/MANIFOLD ASSEMBLY WILL
DIFFER DEPENDING UPON O.E.M.

- Ⓐ AP7832 HOSE ASSY .25" x 100"
- Ⓑ AP4669 HOSE ASSY .25" x 408"
- Ⓒ AP7130 HOSE ASSY .25" x 412"
- Ⓓ AP4161 HOSE ASSY .25" x 120"

CROSS TIES REQUIRED FOR
FRONT AND REAR JACKS

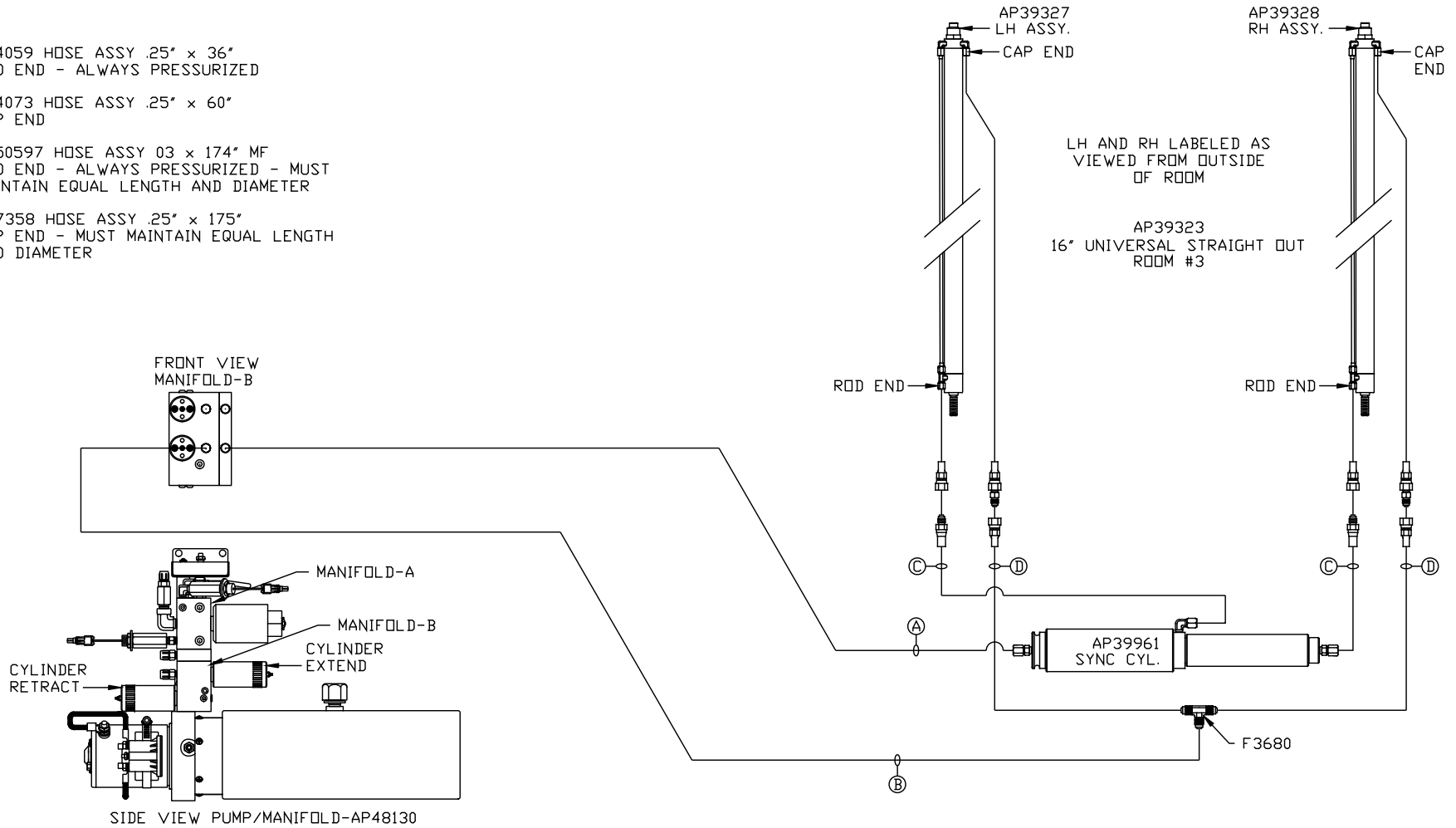


NOTE: INSTALLATION MUST CONFORM TO GOOD SHOP PRACTICES, SAE STANDARDS, RVIA STANDARDS, AND OTHER APPLICABLE STANDARDS.

SYNC KIT: AP48135	NO.	DATE	REVISION
PUMP KIT: AP48122	THE INFORMATION DISCLOSED ON THIS DRAWING IS CONFIDENTIAL AND MUST NOT BE DISCLOSED OR USED IN ANY MANNER WHICH WILL BE DETRIMENTAL TO THE HWH CORPORATION		
JACK KIT: AP48120			

HWH			I-80 EXIT 267 SOUTH RT 1 MOSCOW, IOWA 52760	
SCALE 1:6	DATE 18SEP12	DRAWN BY .		
HYD CONN DIAGRAM				
TIFFIN			DRAWING NUMBER MP70601 A/C	

- Ⓐ AP4059 HOSE ASSY .25" x 36"
ROD END - ALWAYS PRESSURIZED
- Ⓑ AP4073 HOSE ASSY .25" x 60"
CAP END
- Ⓒ AP50597 HOSE ASSY 03 x 174" MF
ROD END - ALWAYS PRESSURIZED - MUST
MAINTAIN EQUAL LENGTH AND DIAMETER
- Ⓓ AP7358 HOSE ASSY .25" x 175"
CAP END - MUST MAINTAIN EQUAL LENGTH
AND DIAMETER

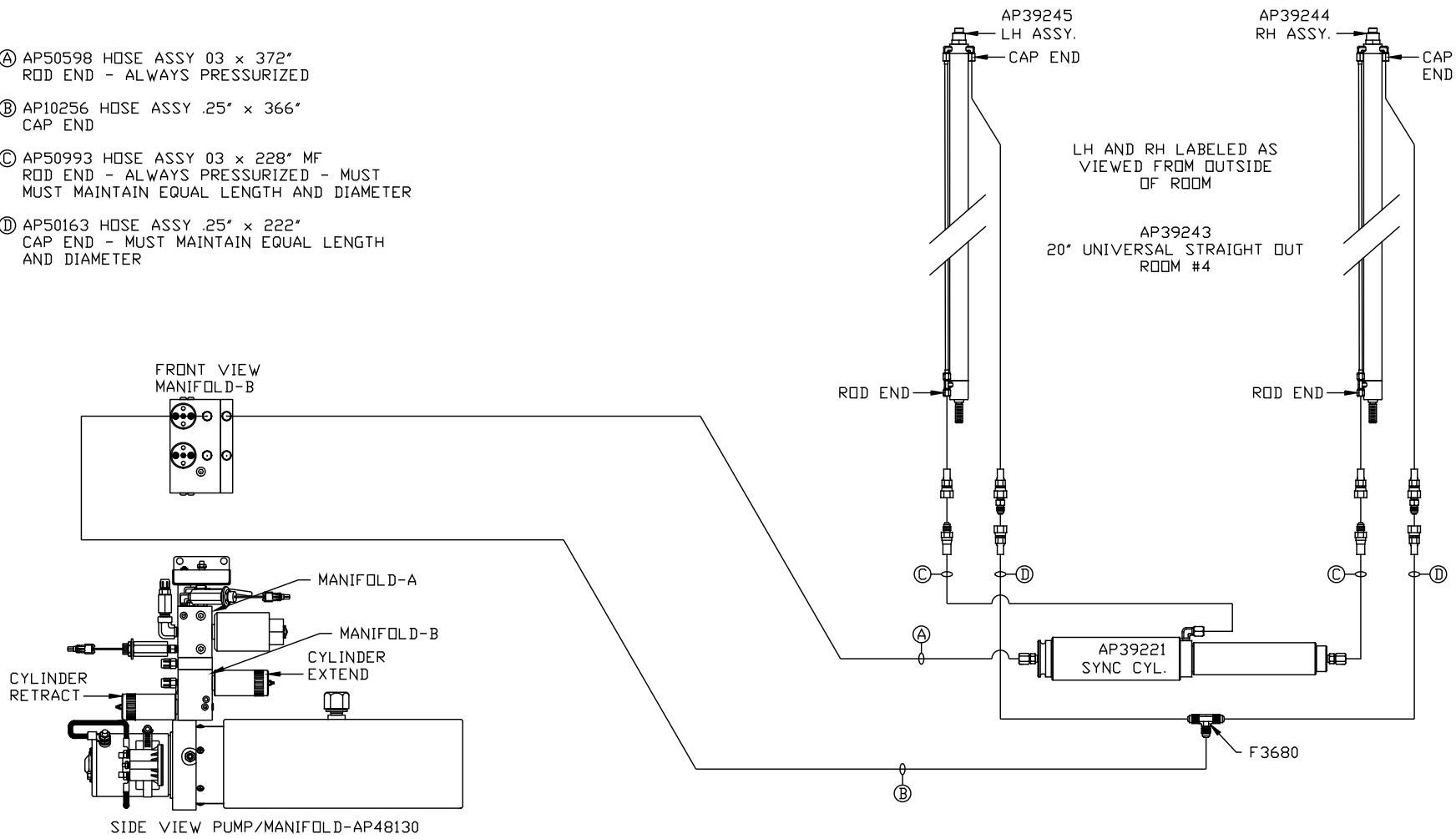


LOCATION AND ORIENTATION OF
PUMP/MANIFOLD ASSEMBLY WILL
DIFFER DEPENDING UPON O.E.M.

NOTE: INSTALLATION MUST CONFORM TO GOOD SHOP PRACTICES, SAE
STANDARDS, RVIA STANDARDS, AND OTHER APPLICABLE STANDARDS.

MP70601 B/C
18SEP12

- Ⓐ AP50598 HOSE ASSY 03 × 372"
ROD END - ALWAYS PRESSURIZED
- Ⓑ AP10256 HOSE ASSY .25" × 366"
CAP END
- Ⓒ AP50993 HOSE ASSY 03 × 228" MF
ROD END - ALWAYS PRESSURIZED - MUST
MUST MAINTAIN EQUAL LENGTH AND DIAMETER
- Ⓓ AP50163 HOSE ASSY .25" × 222"
CAP END - MUST MAINTAIN EQUAL LENGTH
AND DIAMETER



SIDE VIEW PUMP/MANIFOLD-AP48130

LOCATION AND ORIENTATION OF
PUMP/MANIFOLD ASSEMBLY WILL
DIFFER DEPENDING UPON O.E.M.

NOTE: INSTALLATION MUST CONFORM TO GOOD SHOP PRACTICES, SAE
STANDARDS, RVIA STANDARDS, AND OTHER APPLICABLE STANDARDS.

MP70601 C/C
18SEP12