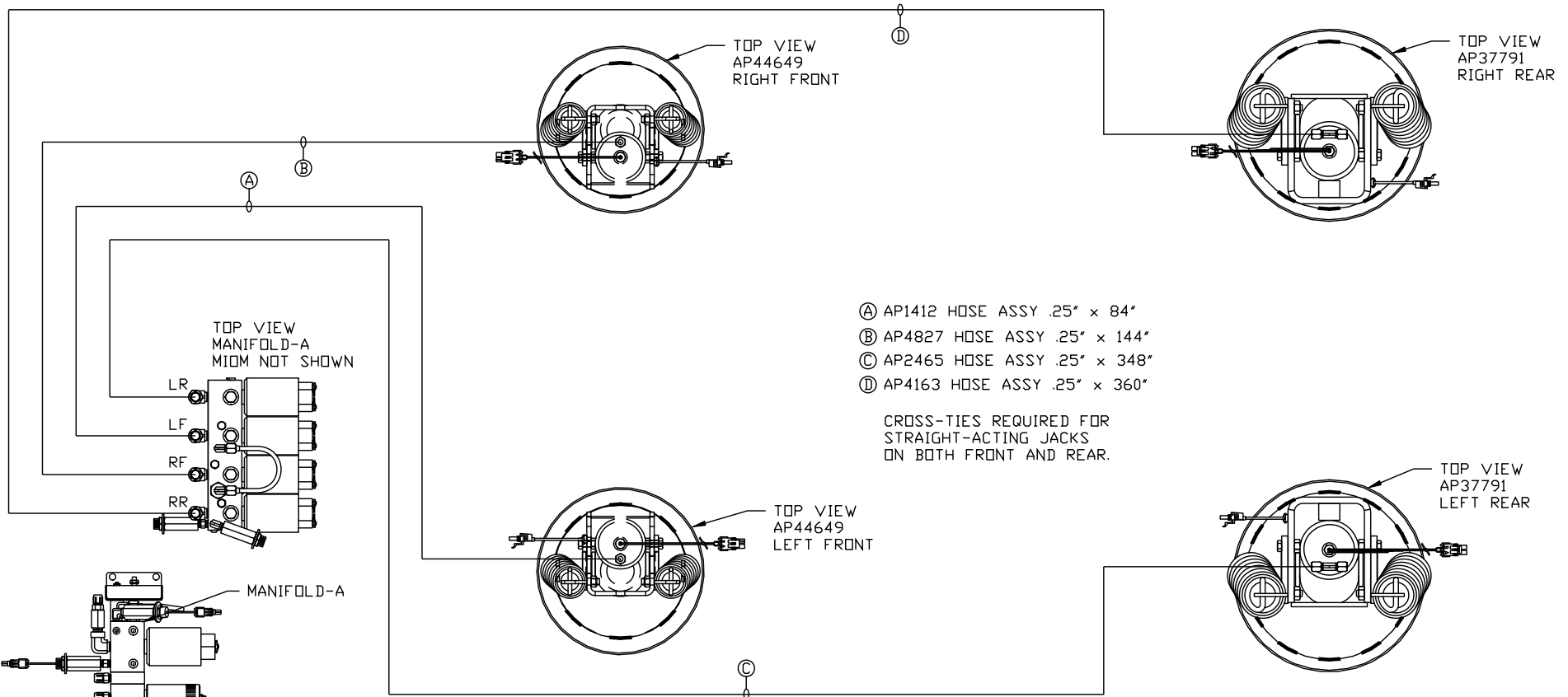


ORIENTATION  
← FRONT



SIDE VIEW PUMP/MANIFOLD-AP47995

LOCATION AND ORIENTATION OF PUMP/MANIFOLD ASSEMBLY WILL DIFFER DEPENDING UPON O.E.M.

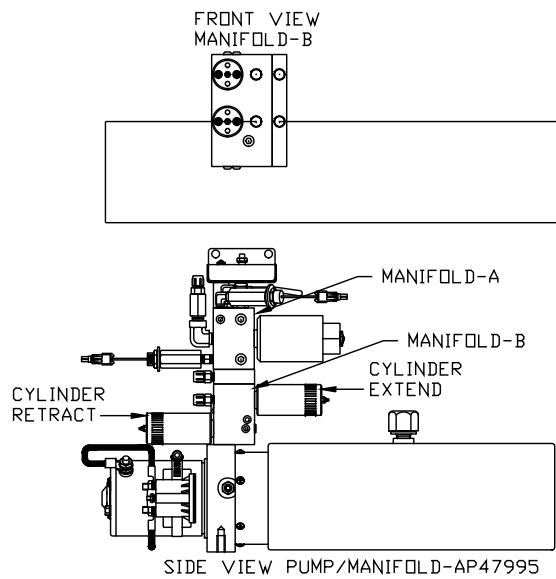
NOTE: INSTALLATION MUST CONFORM TO GOOD SHOP PRACTICES, SAE STANDARDS, RVIA STANDARDS, AND OTHER APPLICABLE STANDARDS.

NO.	DATE	REVISION
1	07MAY15	ADDED SYNC/HOSE #
SYNC/HOSE:AP48426 PUMP KIT: AP47983 JACK KIT: AP47705		

<b>HWH</b> I-80 EXIT 267 SOUTH RT 1 MOSCOW, IOWA 52760		
SCALE 1:6	DATE 18SEP12	DRAWN BY .
<b>HYD CONN DIAGRAM</b>		
<b>TIFFIN</b>		DRAWING NUMBER <b>MP70602 A/C</b>

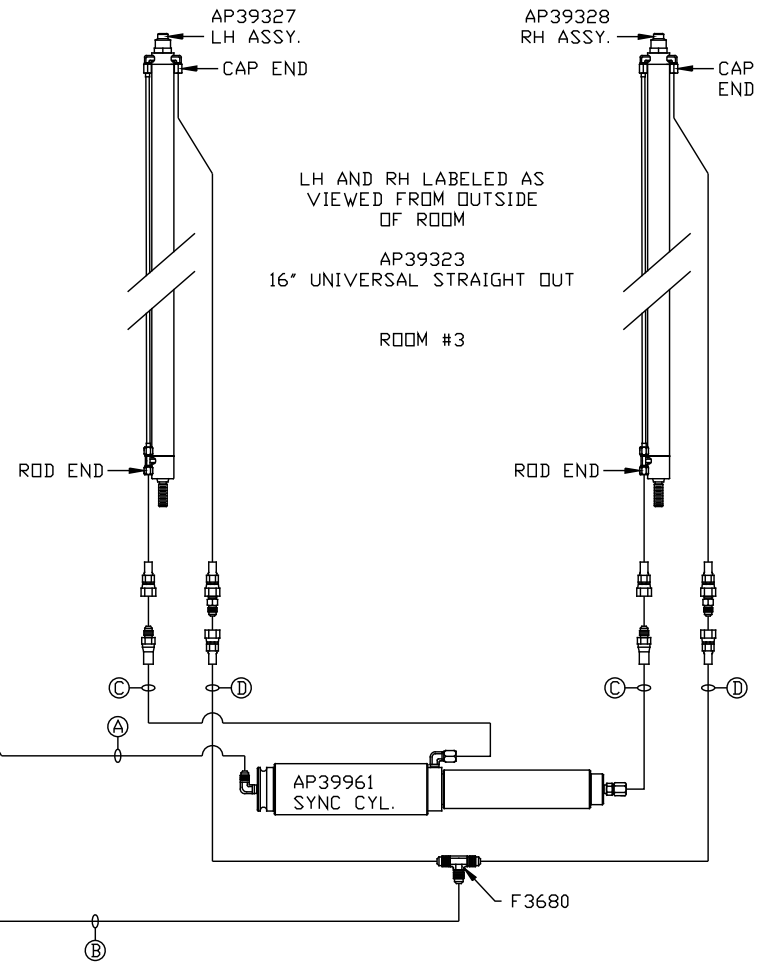
THE INFORMATION DISCLOSED ON THIS DRAWING IS CONFIDENTIAL AND MUST NOT BE DISCLOSED OR USED IN ANY MANNER WHICH WILL BE DETRIMENTAL TO THE HWH CORPORATION

- Ⓐ AP51027 HOSE ASSY 03 x 330"  
ROD END - ALWAYS PRESSURIZED
- Ⓑ AP4163 HOSE ASSY .25" x 360"  
CAP END
- Ⓒ AP50597 HOSE ASSY 03 x 174" MF  
ROD END - ALWAYS PRESSURIZED - MUST  
MAINTAIN EQUAL LENGTH AND DIAMETER
- Ⓓ AP7358 HOSE ASSY .25" x 175"  
CAP END - MUST MAINTAIN EQUAL LENGTH  
AND DIAMETER



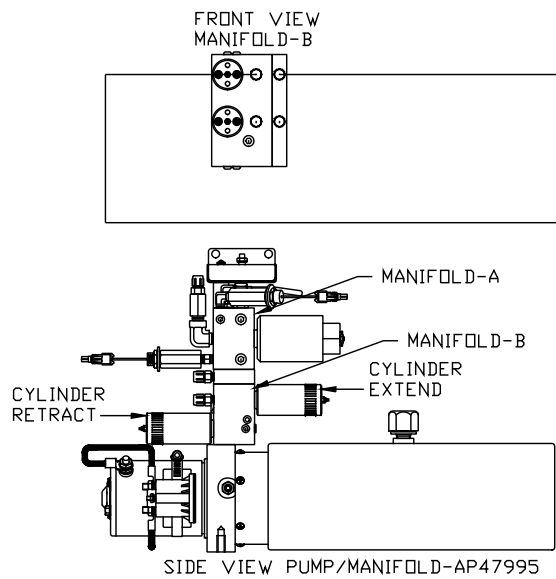
LOCATION AND ORIENTATION OF  
PUMP/MANIFOLD ASSEMBLY WILL  
DIFFER DEPENDING UPON O.E.M.

NOTE: INSTALLATION MUST CONFORM TO GOOD SHOP PRACTICES, SAE  
STANDARDS, RVIA STANDARDS, AND OTHER APPLICABLE STANDARDS.



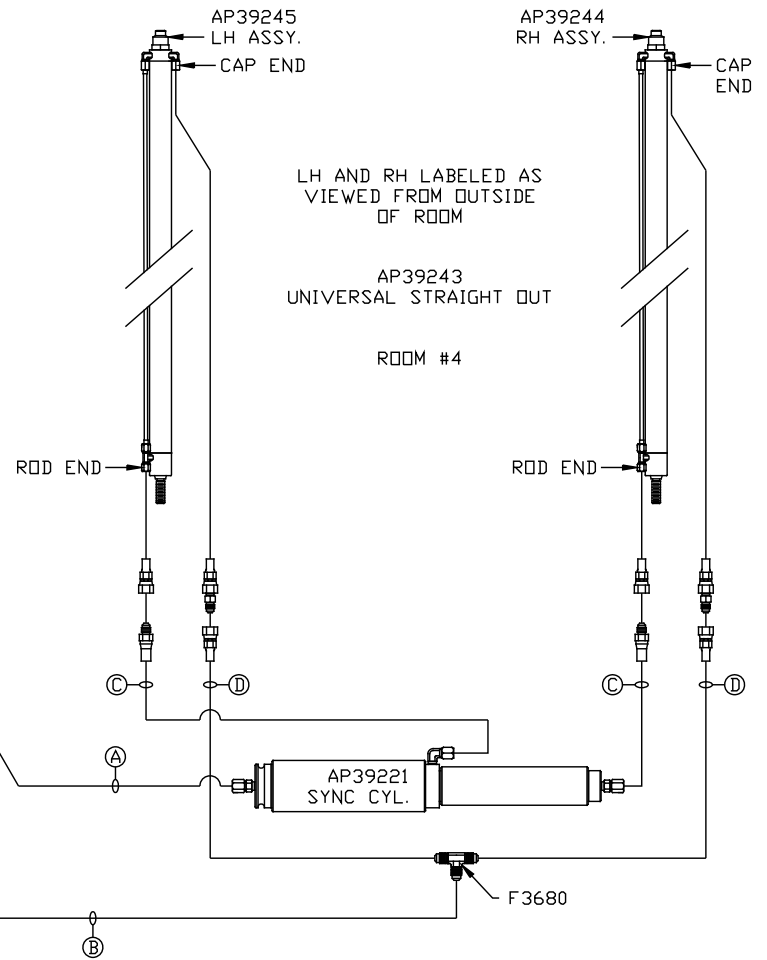
MP70602 B/C  
18SEP12

- Ⓐ AP4827 HOSE ASSY .25" x 144"  
ROD END - ALWAYS PRESSURIZED
- Ⓑ AP6115 HOSE ASSY .25" x 168"  
CAP END
- Ⓒ AP50600 HOSE ASSY 03 x 246" MF  
ROD END - ALWAYS PRESSURIZED - MUST  
MAINTAIN EQUAL LENGTH AND DIAMETER
- Ⓓ AP6116 HOSE ASSY .25" x 240"  
CAP END - MUST MAINTAIN EQUAL LENGTH  
AND DIAMETER



LOCATION AND ORIENTATION OF  
PUMP/MANIFOLD ASSEMBLY WILL  
DIFFER DEPENDING UPON O.E.M.

NOTE: INSTALLATION MUST CONFORM TO GOOD SHOP PRACTICES, SAE  
STANDARDS, RVIA STANDARDS, AND OTHER APPLICABLE STANDARDS.



MP70602 C/C  
18SEP12