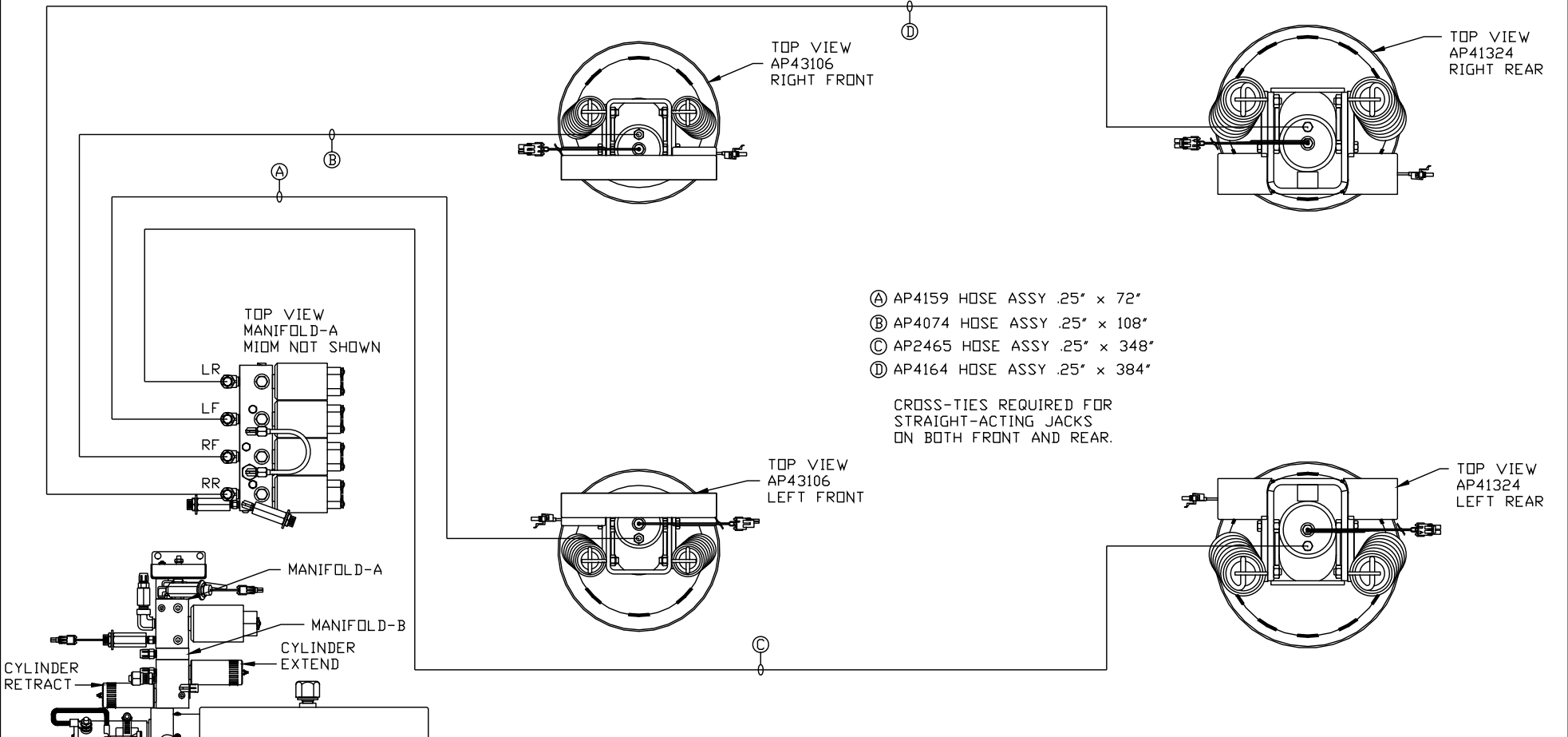
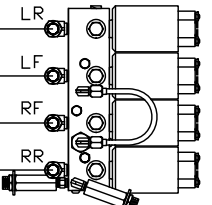


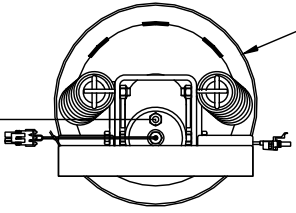
ORIENTATION
 ← FRONT



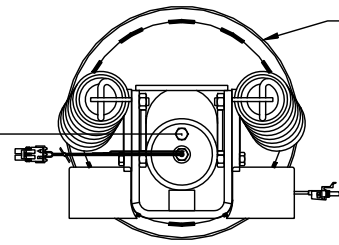
TOP VIEW
 MANIFOLD-A
 MIDIM NOT SHOWN



TOP VIEW
 AP43106
 RIGHT FRONT



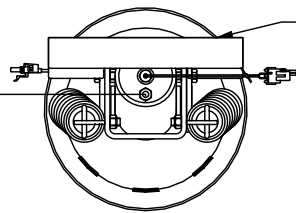
TOP VIEW
 AP41324
 RIGHT REAR



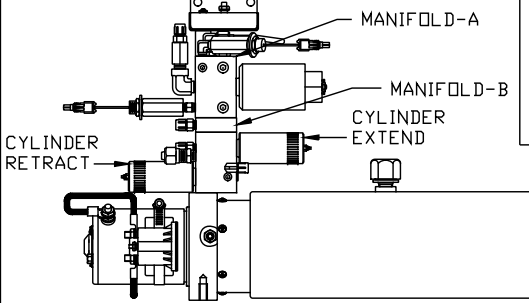
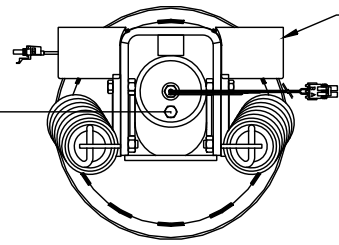
- Ⓐ AP4159 HOSE ASSY .25" x 72"
- Ⓑ AP4074 HOSE ASSY .25" x 108"
- Ⓒ AP2465 HOSE ASSY .25" x 348"
- Ⓓ AP4164 HOSE ASSY .25" x 384"

CROSS-TIES REQUIRED FOR
 STRAIGHT-ACTING JACKS
 ON BOTH FRONT AND REAR.

TOP VIEW
 AP43106
 LEFT FRONT



TOP VIEW
 AP41324
 LEFT REAR



SIDE VIEW PUMP/MANIFOLD-AP50412

LOCATION AND ORIENTATION OF
 PUMP/MANIFOLD ASSEMBLY WILL
 DIFFER DEPENDING UPON O.E.M.

NOTE: INSTALLATION MUST CONFORM TO GOOD SHOP PRACTICES, SAE
 STANDARDS, RVIA STANDARDS, AND OTHER APPLICABLE STANDARDS.

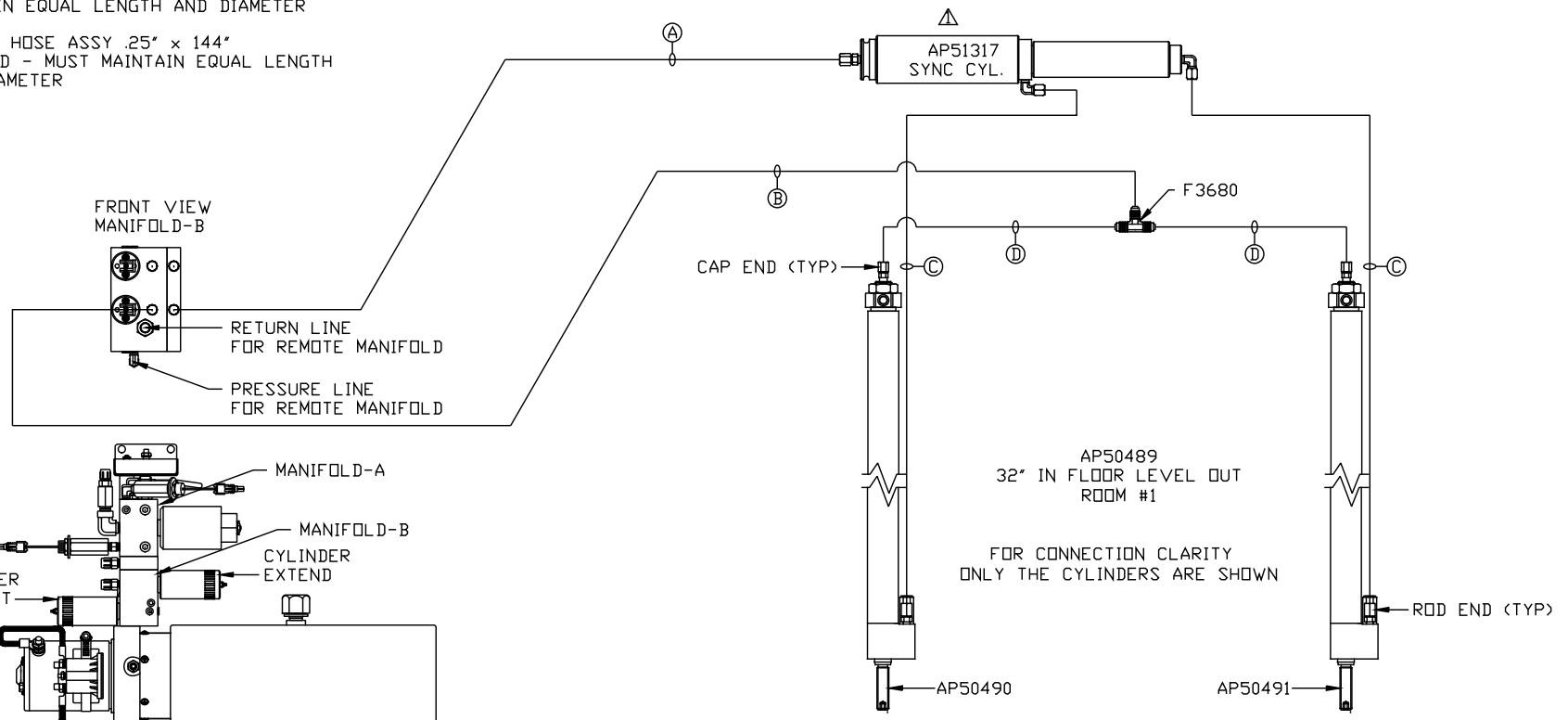
NO.	DATE	REVISION
△	07MAY15	WAS AP43340,AP50256,AP39271
SYNC KIT:	AP50410	
PUMP KIT:	AP50409	
JACK KIT:	AP50795	

HWH			I-80 EXIT 267 SOUTH RT 1 MOSCOW, IOWA 52760		
SCALE 1:6	DATE 20SEP12	DRAWN BY .			
HYD CONN DIAGRAM					
TIFFIN				DRAWING NUMBER MP70605 A/D	

ORIENTATION

← FRONT

- Ⓐ AP5352 HOSE ASSY .25" x 96"
ROD END - ALWAYS PRESSURIZED
- Ⓑ AP4073 HOSE ASSY .25" x 60"
CAP END
- Ⓒ AP49246 HOSE ASSY 03" x 156"
ROD END - ALWAYS PRESSURIZED - MUST
MAINTAIN EQUAL LENGTH AND DIAMETER
- Ⓓ AP4827 HOSE ASSY .25" x 144"
CAP END - MUST MAINTAIN EQUAL LENGTH
AND DIAMETER



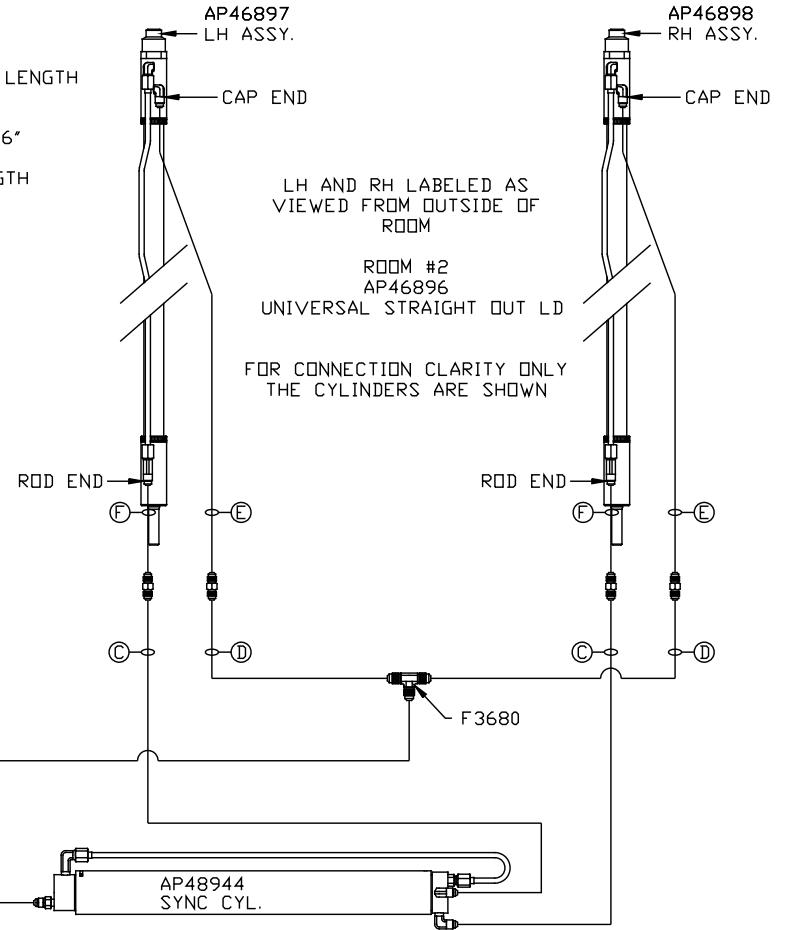
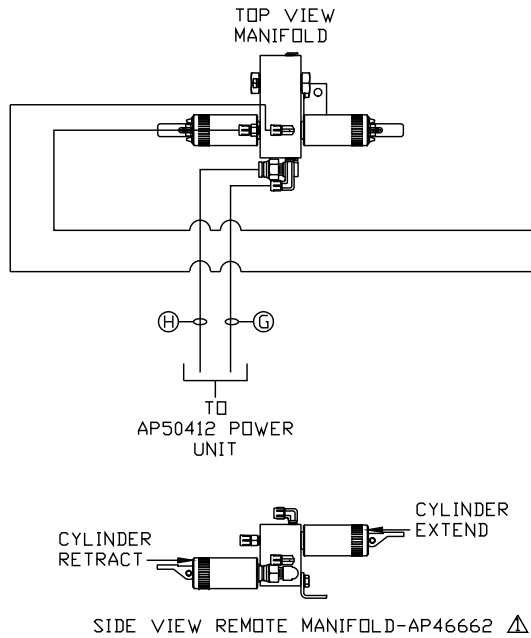
SIDE VIEW PUMP/MANIFOLD-AP50412

LOCATION AND ORIENTATION OF
PUMP/MANIFOLD ASSEMBLY WILL
DIFFER DEPENDING UPON O.E.M.

NOTE: INSTALLATION MUST CONFORM TO GOOD SHOP PRACTICES, SAE
STANDARDS, RVIA STANDARDS, AND OTHER APPLICABLE STANDARDS.

NOTE: HOSES (C) AND (F) ARE INCLUDED WITH THE ROOM EXTENSION MECHANISM

- (A) AP24639 HOSE ASSY HWH02HP x 96" ROD END - ALWAYS PRESSURIZED
- (B) AP49244 HOSE ASSY 03 x 108" CAP END
- (C) AP24639 HOSE ASSY HWH02HP x 96" ROD END - ALWAYS PRESSURIZED HOSES MUST MAINTAIN EQUAL LENGTH AND DIAMETER
- (D) AP49417 HOSE ASSY 03 x 96" CAP END - HOSES MUST MAINTAIN EQUAL LENGTH AND DIAMETER
- (E) AP48866 HOSE ASSY 03 x 36" CAP END - MUST MAINTAIN EQUAL LENGTH AND DIAMETER
- (F) AP24630 HOSE ASSY HWH02HP x 36" ROD END - ALWAYS PRESSURIZED HOSES MUST MAINTAIN EQUAL LENGTH AND DIAMETER
- (G) AP6117 HOSE ASSY .25" x 432" PRESSURE TO REMOTE MANIFOLD
- (H) P49011 RETURN LINE .5" x 432" RETURN FROM REMOTE MANIFOLD



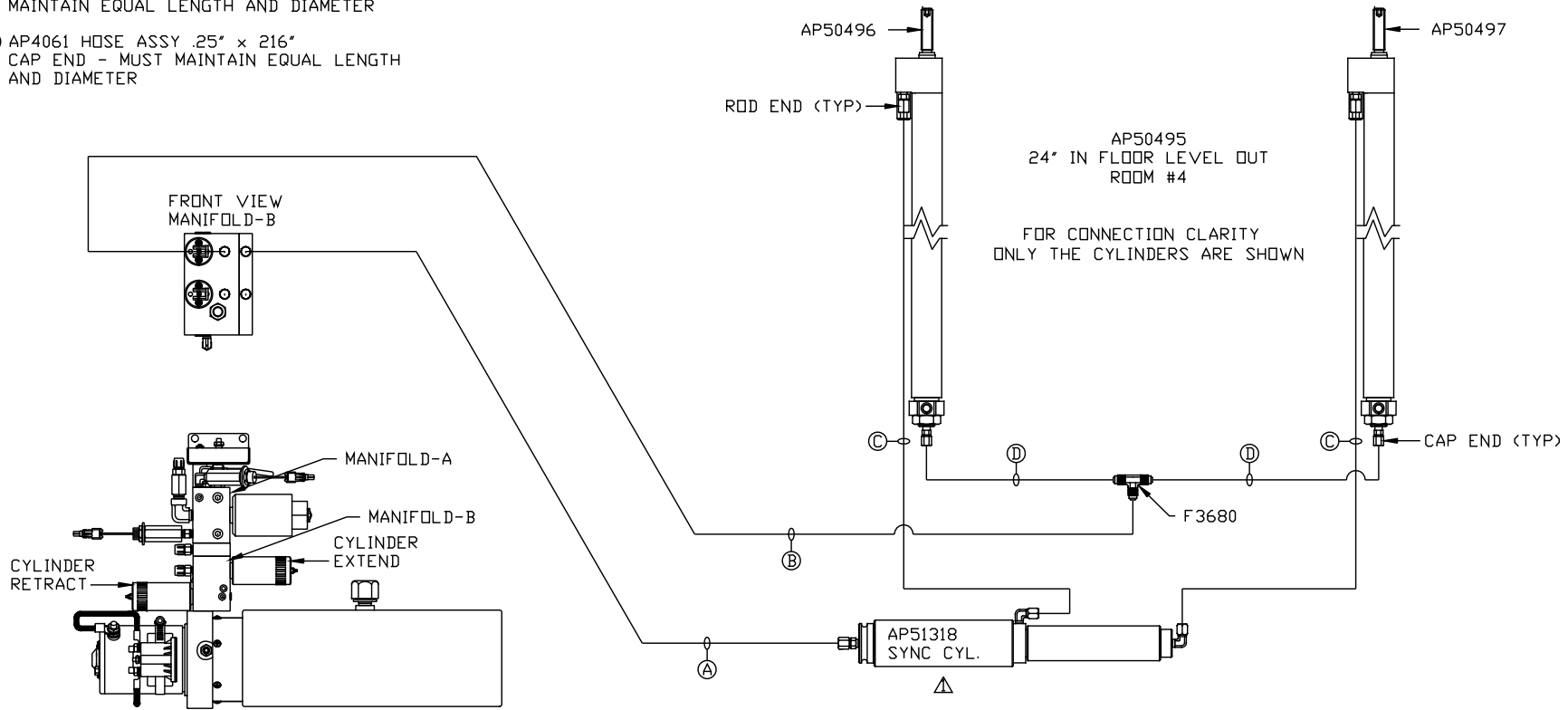
NOTE: INSTALLATION MUST CONFORM TO GOOD SHOP PRACTICES, SAE STANDARDS, RVIA STANDARDS, AND OTHER APPLICABLE STANDARDS.

MP70605 C/D
07MAY15

ORIENTATION

← FRONT

- Ⓐ AP4074 HOSE ASSY .25" x 108"
ROD END - ALWAYS PRESSURIZED
- Ⓑ AP4159 HOSE ASSY .25" x 72"
CAP END
- Ⓒ AP49438 HOSE ASSY 03" x 192"
ROD END - ALWAYS PRESSURIZED - MUST
MAINTAIN EQUAL LENGTH AND DIAMETER
- Ⓓ AP4061 HOSE ASSY .25" x 216"
CAP END - MUST MAINTAIN EQUAL LENGTH
AND DIAMETER



SIDE VIEW PUMP/MANIFOLD-AP50412

LOCATION AND ORIENTATION OF
PUMP/MANIFOLD ASSEMBLY WILL
DIFFER DEPENDING UPON O.E.M.

NOTE: INSTALLATION MUST CONFORM TO GOOD SHOP PRACTICES, SAE
STANDARDS, RVIA STANDARDS, AND OTHER APPLICABLE STANDARDS.