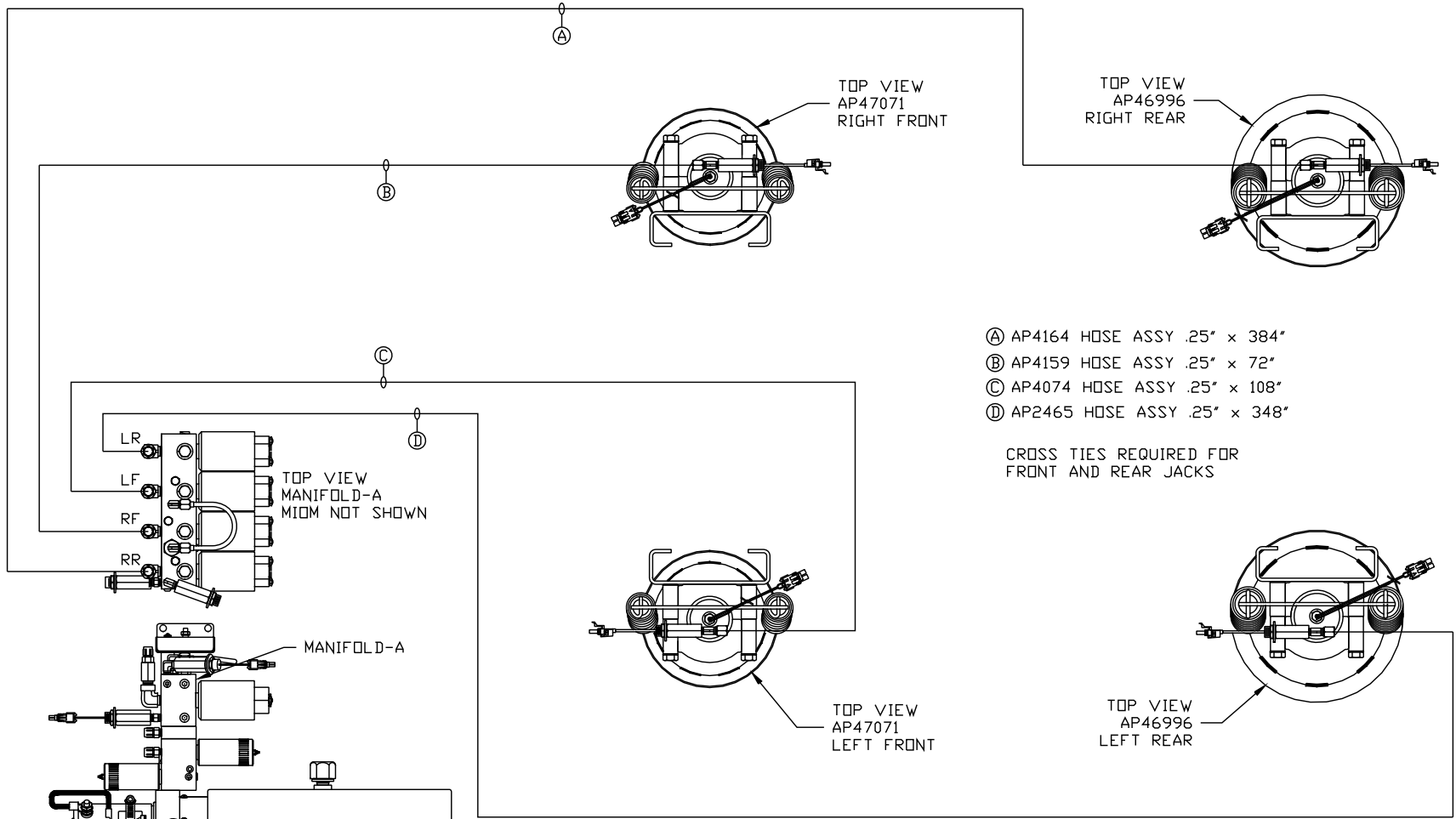


ORIENTATION
← FRONT



SIDE VIEW PUMP/MANIFOLD-AP50912

LOCATION AND ORIENTATION OF PUMP/MANIFOLD ASSEMBLY WILL DIFFER DEPENDING UPON O.E.M.

NOTE: INSTALLATION MUST CONFORM TO GOOD SHOP PRACTICES, SAE STANDARDS, RVIA STANDARDS, AND OTHER APPLICABLE STANDARDS.

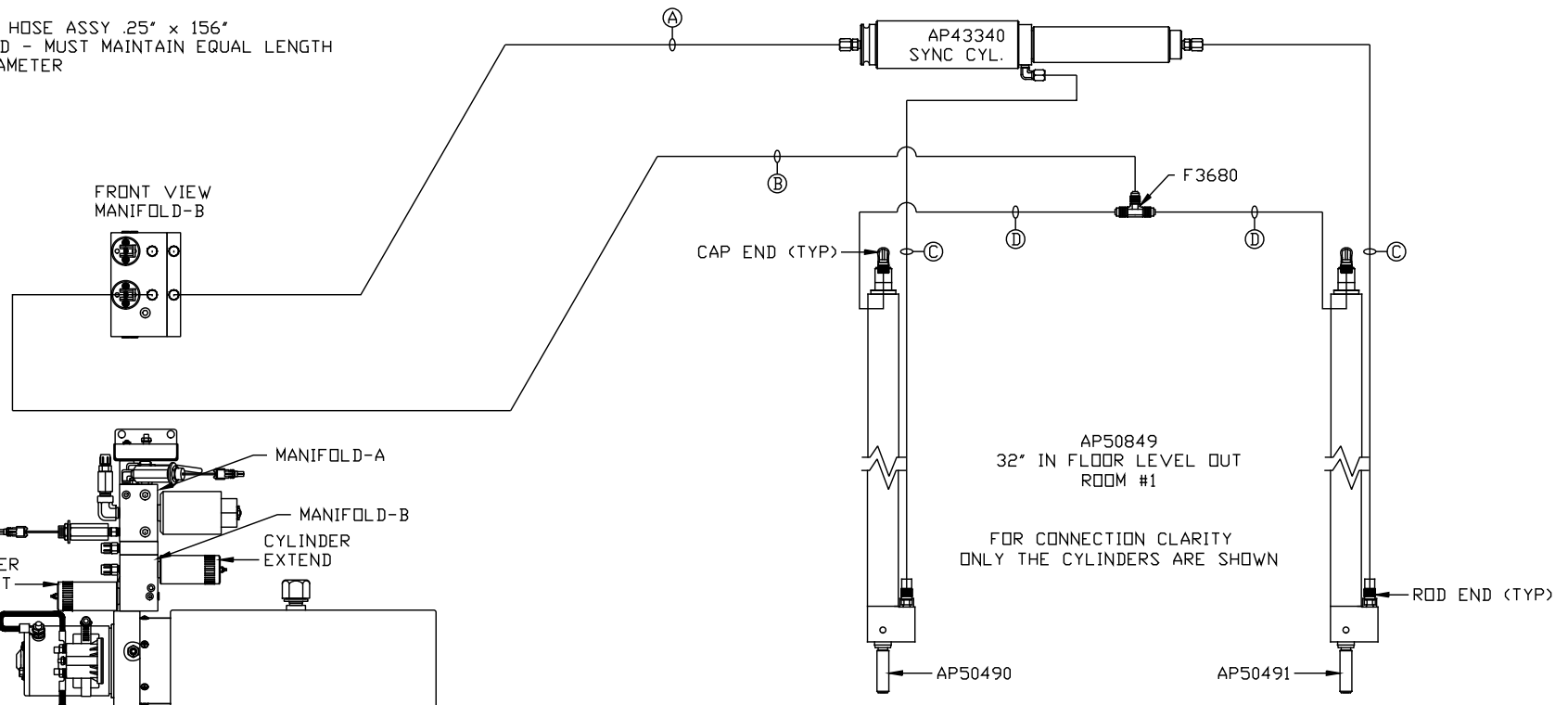
SYNC KIT: AP50854	NO.	DATE	REVISION
PUMP KIT: AP50865	THE INFORMATION DISCLOSED ON THIS DRAWING IS CONFIDENTIAL AND MUST NOT BE DISCLOSED OR USED IN ANY MANNER WHICH WILL BE DETRIMENTAL TO THE HWH CORPORATION		
JACK KIT: AP50420			

HWH			I-80 EXIT 267 SOUTH RT 1 MOSCOW, IOWA 52760	
SCALE 1:6	DATE 12APR13	DRAWN BY .		
HYD CONN DIAGRAM				
TIFFIN			DRAWING NUMBER MP70624 A/C	

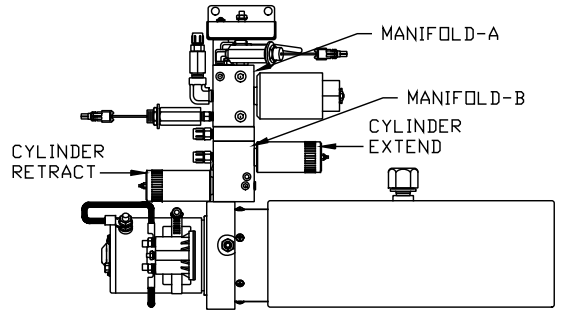
ORIENTATION

← FRONT

- Ⓐ AP4073 HOSE ASSY .25" x 60"
ROD END - ALWAYS PRESSURIZED
- Ⓑ AP4159 HOSE ASSY .25" x 72"
CAP END
- Ⓒ AP49246 HOSE ASSY 03" x 156"
ROD END - ALWAYS PRESSURIZED - MUST
MAINTAIN EQUAL LENGTH AND DIAMETER
- Ⓓ AP4065 HOSE ASSY .25" x 156"
CAP END - MUST MAINTAIN EQUAL LENGTH
AND DIAMETER



FRONT VIEW
MANIFOLD-B



SIDE VIEW PUMP/MANIFOLD-AP50912

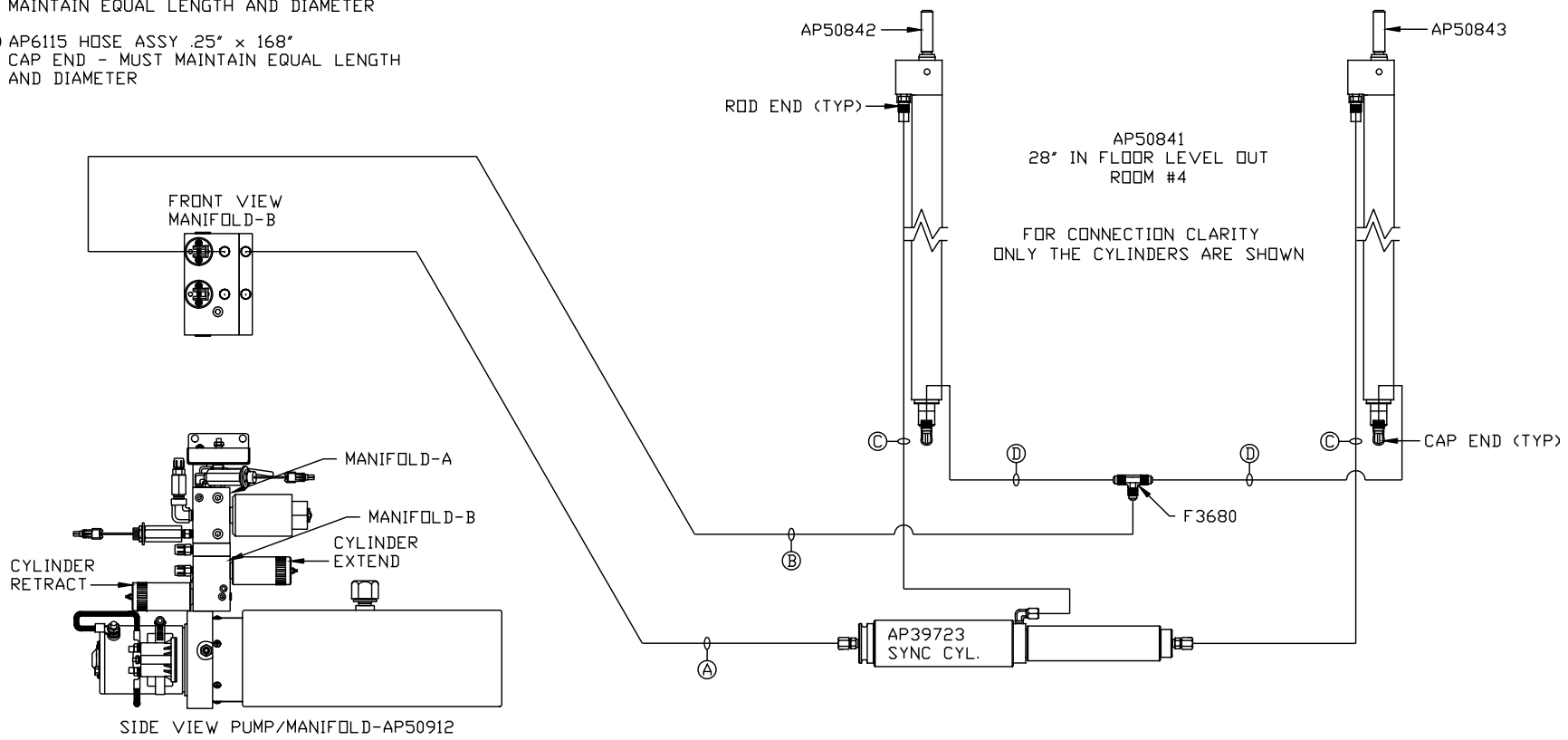
LOCATION AND ORIENTATION OF
PUMP/MANIFOLD ASSEMBLY WILL
DIFFER DEPENDING UPON O.E.M.

NOTE: INSTALLATION MUST CONFORM TO GOOD SHOP PRACTICES, SAE
STANDARDS, RVIA STANDARDS, AND OTHER APPLICABLE STANDARDS.

ORIENTATION

← FRONT

- Ⓐ AP4073 HOSE ASSY .25" x 60"
ROD END - ALWAYS PRESSURIZED
- Ⓑ AP5352 HOSE ASSY .25" x 96"
CAP END
- Ⓒ AP50261 HOSE ASSY 03 x 168"
ROD END - ALWAYS PRESSURIZED - MUST
MAINTAIN EQUAL LENGTH AND DIAMETER
- Ⓓ AP6115 HOSE ASSY .25" x 168"
CAP END - MUST MAINTAIN EQUAL LENGTH
AND DIAMETER



LOCATION AND ORIENTATION OF
PUMP/MANIFOLD ASSEMBLY WILL
DIFFER DEPENDING UPON O.E.M.

NOTE: INSTALLATION MUST CONFORM TO GOOD SHOP PRACTICES, SAE
STANDARDS, RVIA STANDARDS, AND OTHER APPLICABLE STANDARDS.