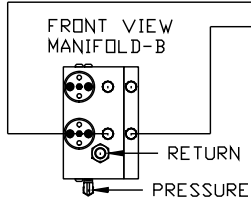
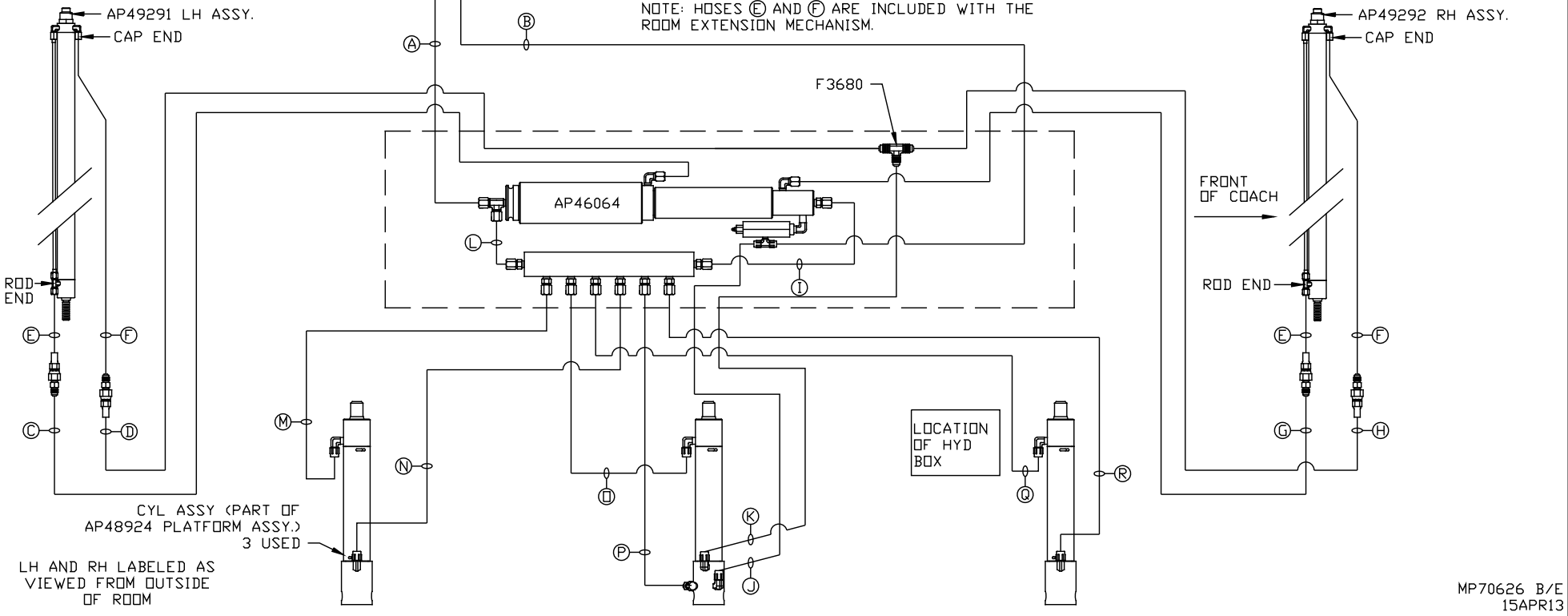


NOTE: INSTALLATION MUST CONFORM TO GOOD SHOP PRACTICES, SAE STANDARDS, RVIA STANDARDS, AND OTHER APPLICABLE STANDARDS.



PUMP/MANIFOLD-AP48999 (NOT SHOWN)

AP48959  
UNIVERSAL STRAIGHT OUT HD  
ROOM #1



NOTE: HOSES (E) AND (F) ARE INCLUDED WITH THE ROOM EXTENSION MECHANISM.

Ⓐ AP7385 HOSE ASSY .25" x 252"  
ROD END - ALWAYS PRESSURIZED

Ⓑ AP6216 HOSE ASSY .25" x 264"  
CAP END

Ⓒ AP24630 HOSE ASSY HWH02HP x 36"  
ROD END - ALWAYS PRESSURIZED

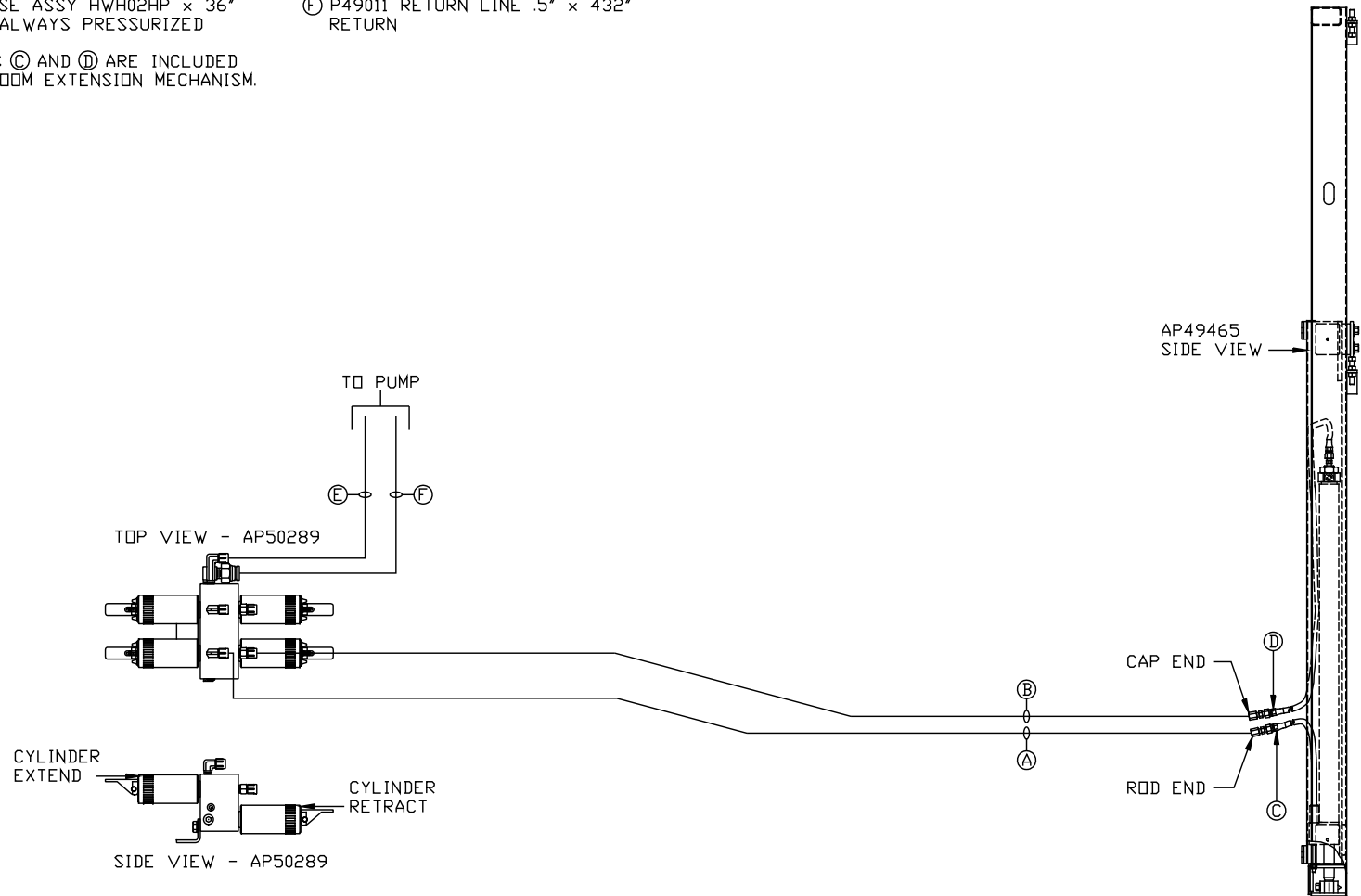
Ⓓ AP24634 HOSE ASSY HWH02HP x 60"  
CAP END

Ⓔ AP6117 HOSE ASSY .25" x 432"  
PRESSURE

Ⓕ P49011 RETURN LINE .5" x 432"  
RETURN

NOTE: HOSES Ⓒ AND Ⓓ ARE INCLUDED  
WITH THE ROOM EXTENSION MECHANISM.

ROOM #2  
AP49464  
BED SLIDE KIT

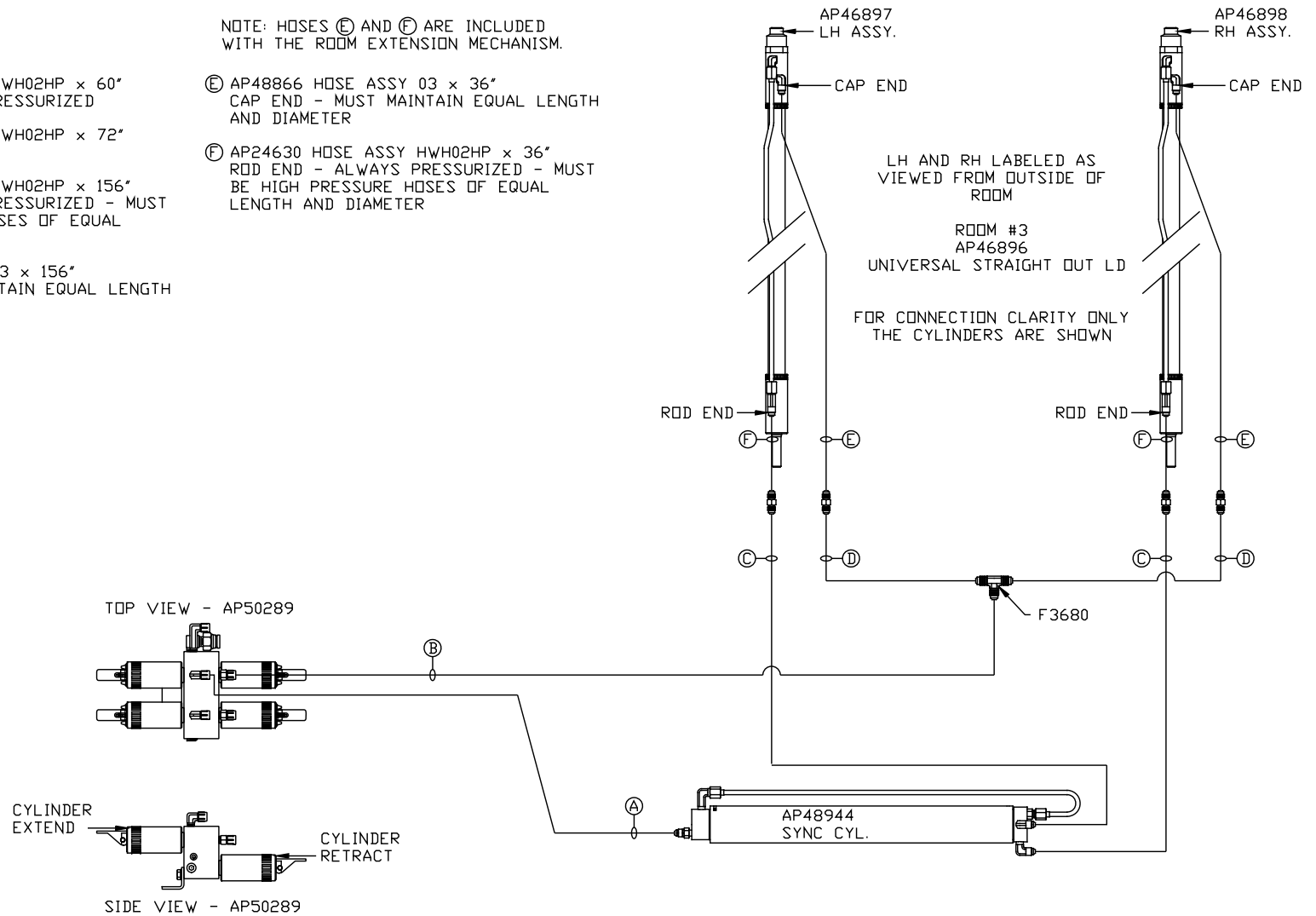


NOTE: INSTALLATION MUST CONFORM TO GOOD SHOP PRACTICES, SAE  
STANDARDS, RVIA STANDARDS, AND OTHER APPLICABLE STANDARDS.

MP70626 C/E  
15APR13

- Ⓐ AP24634 HOSE ASSY HWH02HP x 60"  
ROD END - ALWAYS PRESSURIZED
- Ⓑ AP24635 HOSE ASSY HWH02HP x 72"  
CAP END
- Ⓒ AP24646 HOSE ASSY HWH02HP x 156"  
ROD END - ALWAYS PRESSURIZED - MUST  
BE HIGH PRESSURE HOSES OF EQUAL  
LENGTH AND DIAMETER
- Ⓓ AP49246 HOSE ASSY 03 x 156"  
CAP END - MUST MAINTAIN EQUAL LENGTH  
AND DIAMETER

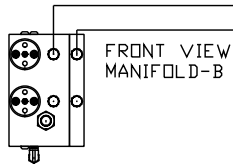
- NOTE: HOSES Ⓒ AND Ⓓ ARE INCLUDED  
WITH THE ROOM EXTENSION MECHANISM.
- Ⓔ AP48866 HOSE ASSY 03 x 36"  
CAP END - MUST MAINTAIN EQUAL LENGTH  
AND DIAMETER
  - Ⓕ AP24630 HOSE ASSY HWH02HP x 36"  
ROD END - ALWAYS PRESSURIZED - MUST  
BE HIGH PRESSURE HOSES OF EQUAL  
LENGTH AND DIAMETER



NOTE: INSTALLATION MUST CONFORM TO GOOD SHOP PRACTICES, SAE STANDARDS, RVIA STANDARDS, AND OTHER APPLICABLE STANDARDS.

MP70626 D/E  
15APR13

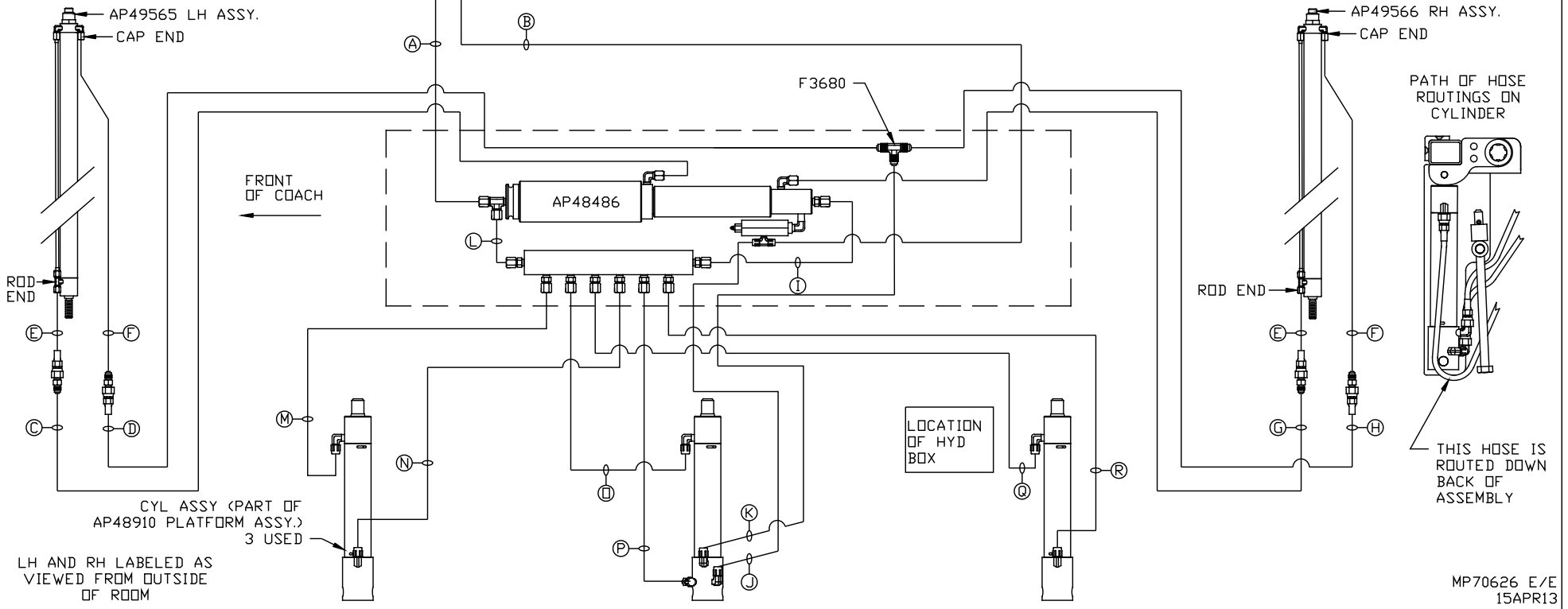
NOTE: INSTALLATION MUST CONFORM TO GOOD SHOP PRACTICES, SAE STANDARDS, RVIA STANDARDS, AND OTHER APPLICABLE STANDARDS.



PUMP/MANIFOLD-AP48999 (NOT SHOWN)

NOTE: HOSES (E) AND (F) ARE INCLUDED WITH THE ROOM EXTENSION MECHANISM.

AP48974  
UNIVERSAL STRAIGHT OUT HD  
ROOM #4



(A) AP4065 HOSE ASSY .25" X 156  
ROD END - ALWAYS PRESSURIZED

(B) AP6115 HOSE ASSY .25" X 168  
CAP END

(C) AP49740 HOSE ASSY 03 X 210  
ROD END (ROOM)  
ALWAYS PRESSURIZED  
HOSES MUST BE HIGH PRESSURE

(D) AP5965 HOSE ASSY .25" X 180  
CAP END (ROOM)

(E) AP24632 HOSE ASSY HWH02HP X 48"  
ROD END (ROOM)  
ALWAYS PRESSURIZED  
HOSES MUST BE HIGH PRESSURE

(F) AP24818 HOSE ASSY HWH02HP X 86"  
CAP END (ROOM)

(G) AP49738 HOSE ASSY 03 X 168  
ROD END (ROOM)  
ALWAYS PRESSURIZED  
HOSES MUST BE HIGH PRESSURE

(H) AP5965 HOSE ASSY .25" X 180  
CAP END (ROOM)

(I) AP49789 HYD TUBE ASSY 11.8  
CAP END

(J) AP49727 HOSE ASSY 03 X 65  
CAP END

(K) AP49726 HOSE ASSY 03 X 62  
CAP END

(L) AP49788 HYD TUBE ASSY 9.9  
ROD END  
ALWAYS PRESSURIZED

(M) AP49734 HOSE ASSY 03 X 118  
ROD END  
ALWAYS PRESSURIZED

(N) AP49731 HOSE ASSY 03 X 103  
CAP END

(O) AP49729 HOSE ASSY 03 X 71  
ROD END  
ALWAYS PRESSURIZED

(P) AP49725 HOSE ASSY 03 X 59  
CAP END

(Q) AP49728 HOSE ASSY 03 X 68  
ROD END  
ALWAYS PRESSURIZED

(R) AP49724 HOSE ASSY 03 X 51  
CAP END