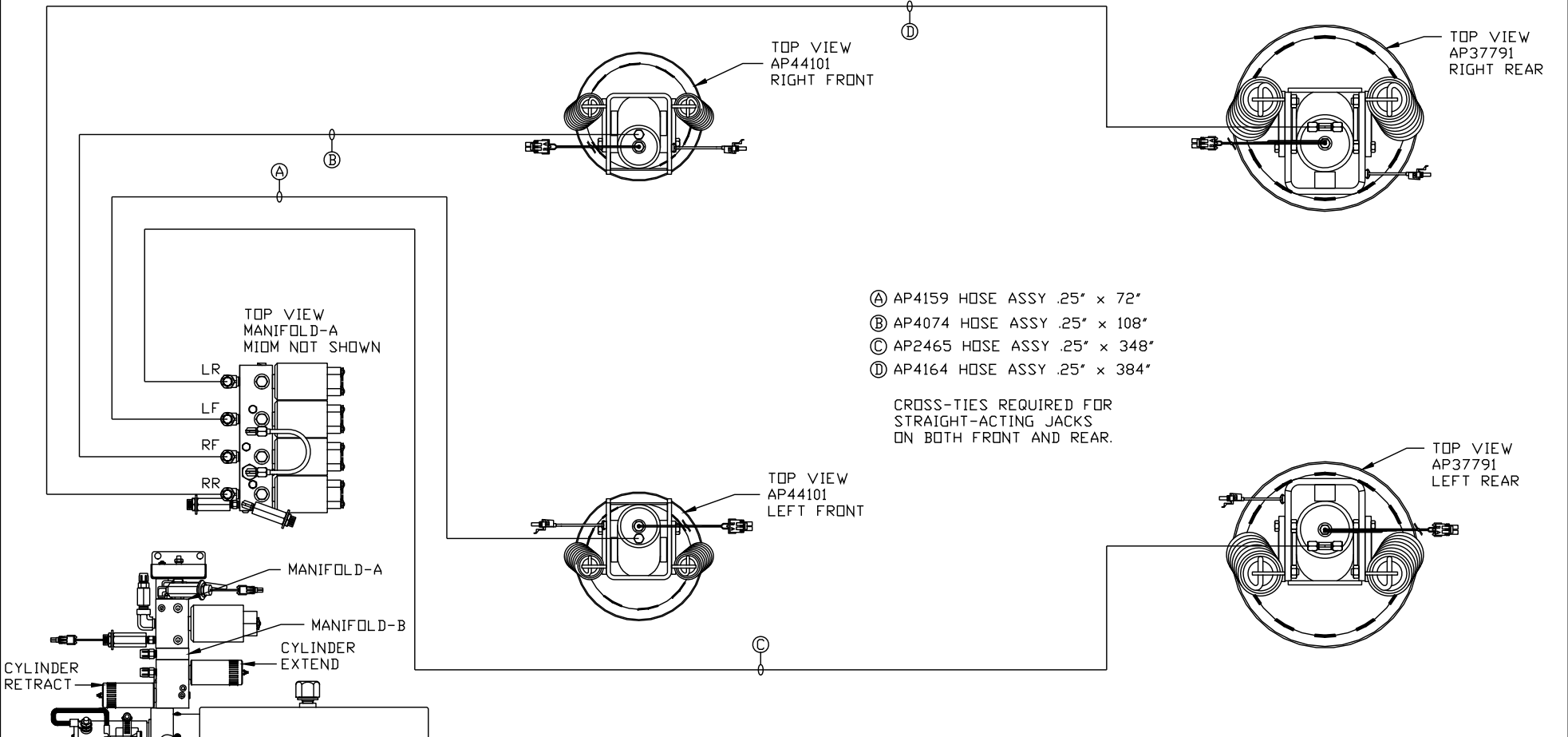
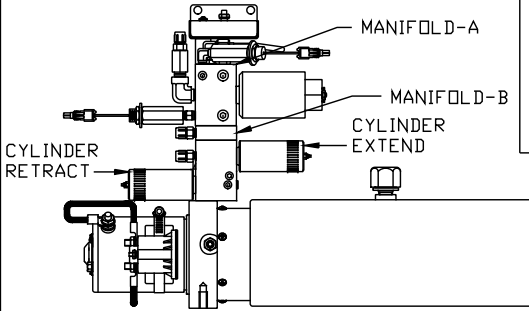


ORIENTATION
← FRONT



- Ⓐ AP4159 HOSE ASSY .25" x 72"
- Ⓑ AP4074 HOSE ASSY .25" x 108"
- Ⓒ AP2465 HOSE ASSY .25" x 348"
- Ⓓ AP4164 HOSE ASSY .25" x 384"

CROSS-TIES REQUIRED FOR STRAIGHT-ACTING JACKS ON BOTH FRONT AND REAR.



SIDE VIEW PUMP/MANIFOLD-AP48130

LOCATION AND ORIENTATION OF PUMP/MANIFOLD ASSEMBLY WILL DIFFER DEPENDING UPON O.E.M.

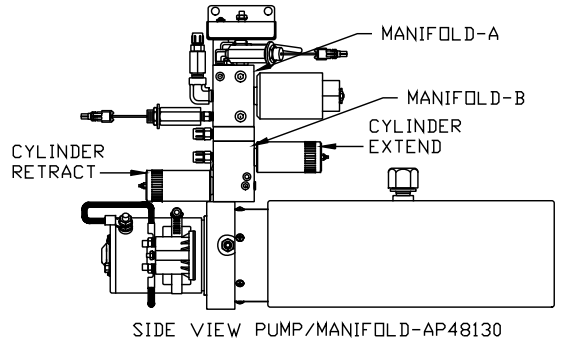
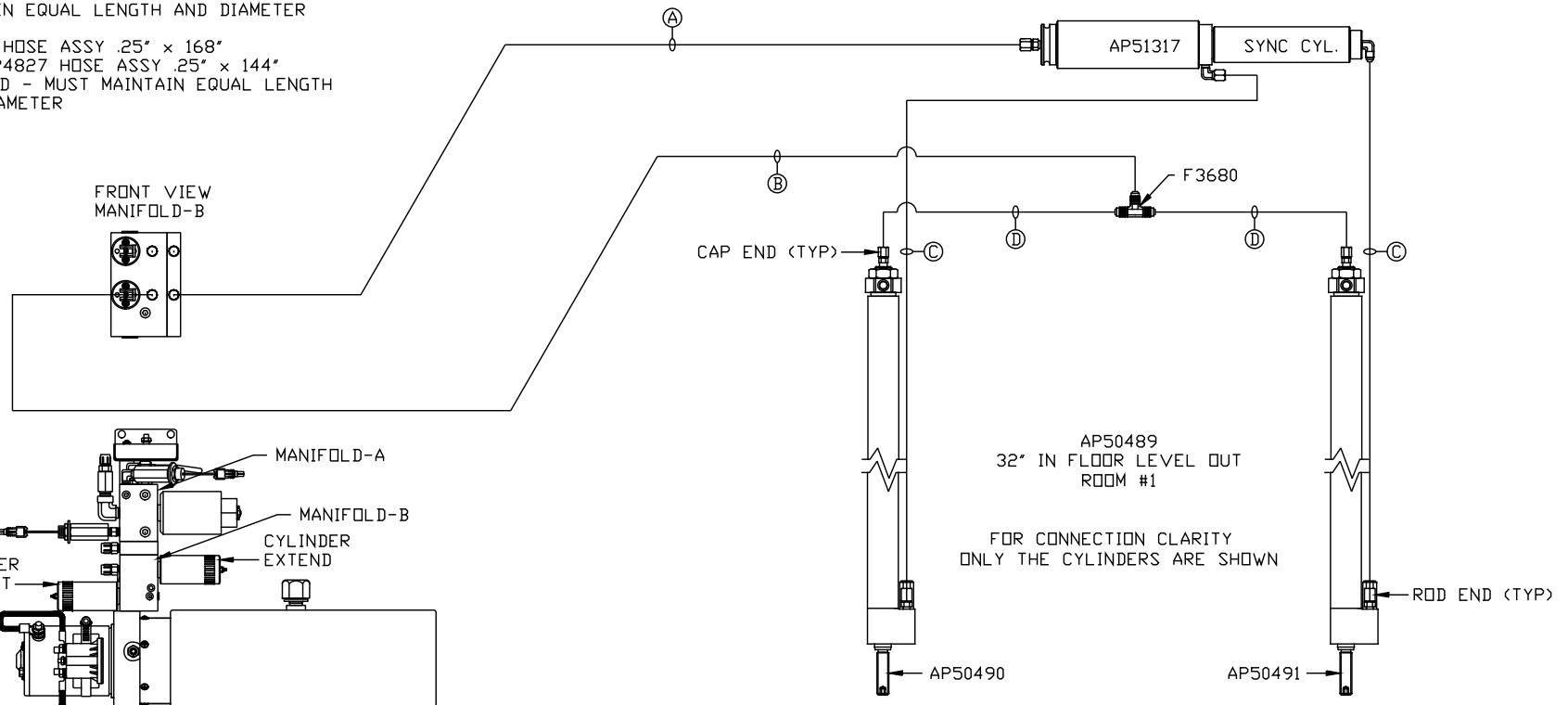
NOTE: INSTALLATION MUST CONFORM TO GOOD SHOP PRACTICES, SAE STANDARDS, RVIA STANDARDS, AND OTHER APPLICABLE STANDARDS.

1	07MAY15	UPDATED HOSES
NO.	DATE	REVISION
SYNC KIT: AP51774		
PUMP KIT: AP48122	THE INFORMATION DISCLOSED ON THIS DRAWING IS CONFIDENTIAL AND MUST NOT BE DISCLOSED OR USED IN ANY MANNER WHICH WILL BE DETRIMENTAL TO THE HWH CORPORATION	
JACK KIT: AP48796		

HWH			I-80 EXIT 267 SOUTH RT 1 MOSCOW, IOWA 52760		
SCALE 1:6	DATE 31MAY13	DRAWN BY .			
HYD CONN DIAGRAM					
TIFFIN				DRAWING NUMBER MP70634 A/C	

ORIENTATION
 ← FRONT

- Ⓐ AP5352 HOSE ASSY .25" x 96"
ROD END - ALWAYS PRESSURIZED
- Ⓑ AP4073 HOSE ASSY .25" x 60"
CAP END
- Ⓒ AP49517 HOSE ASSY 03 x 180"
WAS AP49246 HOSE ASSY 03 x 156"
ROD END - ALWAYS PRESSURIZED - MUST
MAINTAIN EQUAL LENGTH AND DIAMETER
- Ⓓ AP6115 HOSE ASSY .25" x 168"
WAS AP4827 HOSE ASSY .25" x 144"
CAP END - MUST MAINTAIN EQUAL LENGTH
AND DIAMETER



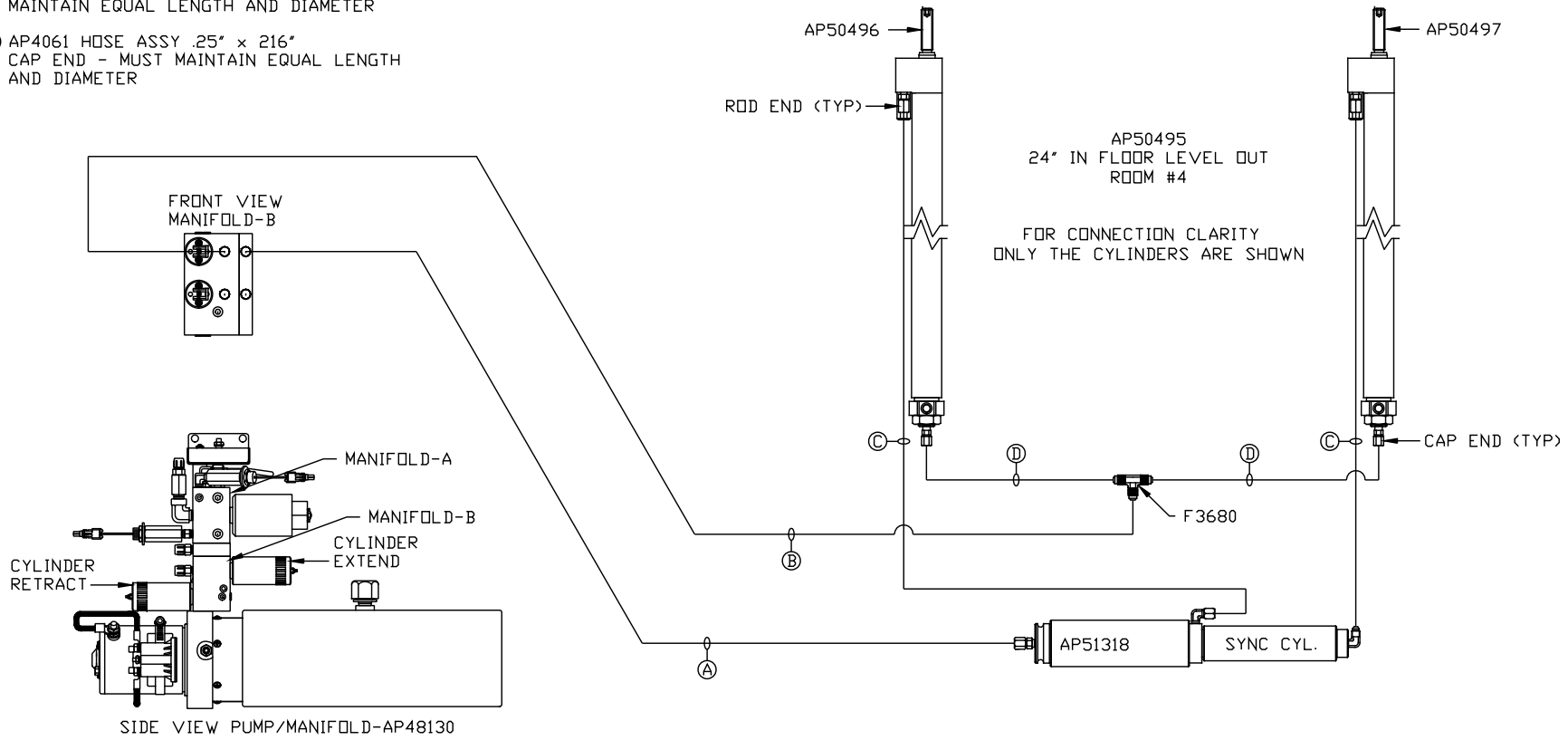
SIDE VIEW PUMP/MANIFOLD-AP48130
 LOCATION AND ORIENTATION OF
 PUMP/MANIFOLD ASSEMBLY WILL
 DIFFER DEPENDING UPON O.E.M.

NOTE: INSTALLATION MUST CONFORM TO GOOD SHOP PRACTICES, SAE STANDARDS, RVIA STANDARDS, AND OTHER APPLICABLE STANDARDS.

ORIENTATION

← FRONT

- Ⓐ AP4074 HOSE ASSY .25" x 108"
ROD END - ALWAYS PRESSURIZED
- Ⓑ AP4159 HOSE ASSY .25" x 72"
CAP END
- Ⓒ AP49438 HOSE ASSY 03" x 192"
ROD END - ALWAYS PRESSURIZED - MUST
MAINTAIN EQUAL LENGTH AND DIAMETER
- Ⓓ AP4061 HOSE ASSY .25" x 216"
CAP END - MUST MAINTAIN EQUAL LENGTH
AND DIAMETER



LOCATION AND ORIENTATION OF
PUMP/MANIFOLD ASSEMBLY WILL
DIFFER DEPENDING UPON O.E.M.

NOTE: INSTALLATION MUST CONFORM TO GOOD SHOP PRACTICES, SAE
STANDARDS, RVIA STANDARDS, AND OTHER APPLICABLE STANDARDS.