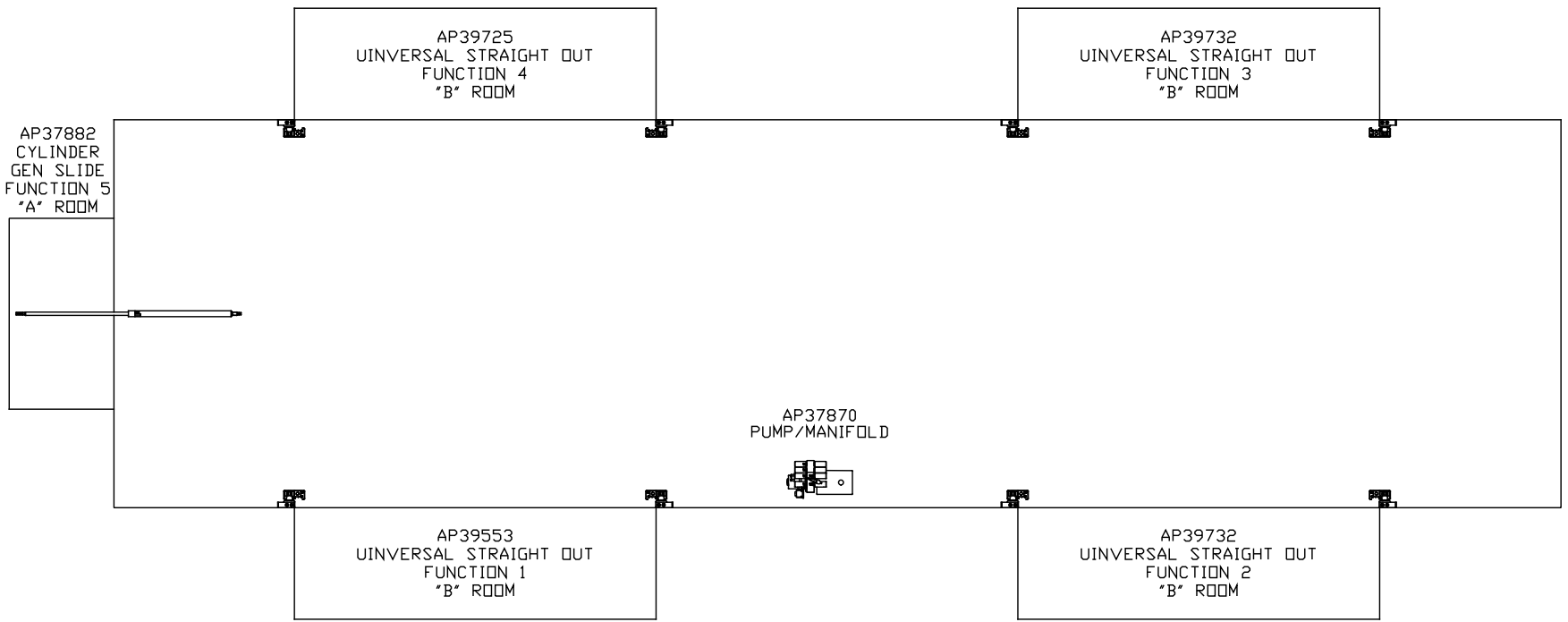


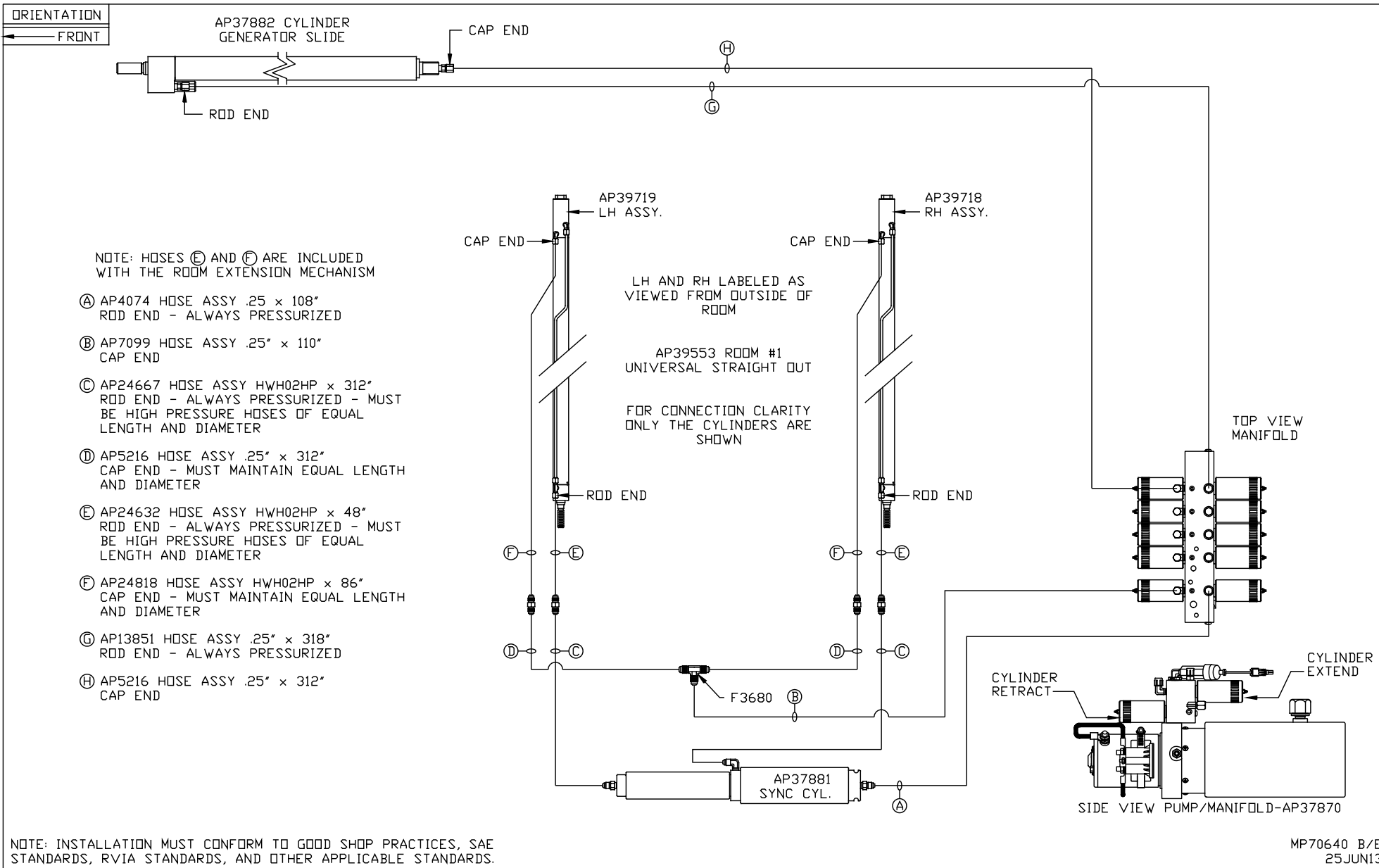
ORIENTATION
 ← FRONT



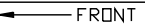
NOTE: INSTALLATION MUST CONFORM TO GOOD SHOP PRACTICES, SAE STANDARDS, RVIA STANDARDS, AND OTHER APPLICABLE STANDARDS.

LEVELING SYSTEM: AP52203

		HWH		I-80 EXIT 267 SOUTH RT 1 MOSCOW, IOWA 52760	
		SCALE 1:6	DATE 25JUN13	DRAWN BY .	
		HYD CONN DIAGRAM			
NO.	DATE	REVISION			
		THE INFORMATION DISCLOSED ON THIS DRAWING IS CONFIDENTIAL AND MUST NOT BE DISCLOSED OR USED IN ANY MANNER WHICH WILL BE DETRIMENTAL TO THE HWH CORPORATION		DRAWING NUMBER	
		FORETRAVEL		MP70640 A/E	

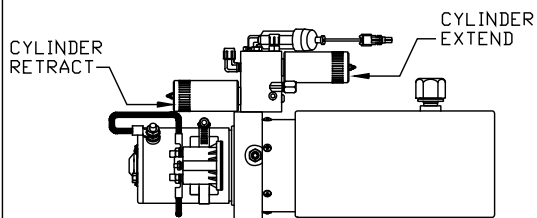
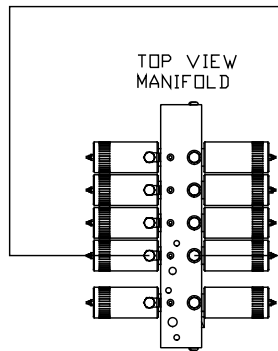


ORIENTATION

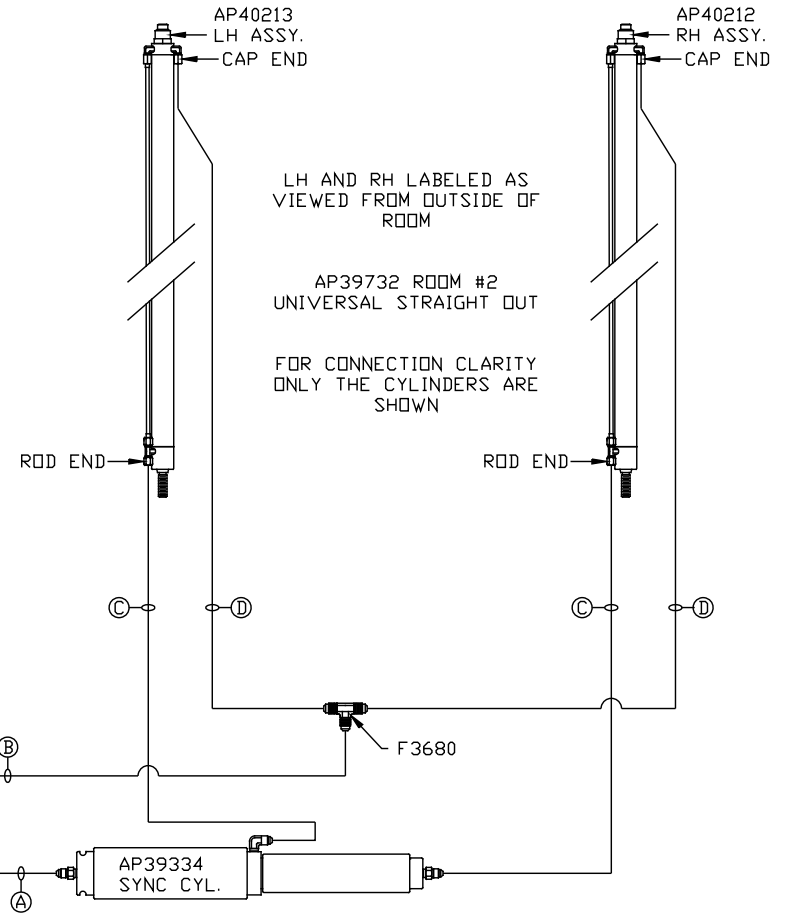


NOTE: HOSES ③ AND ④ ARE INCLUDED WITH THE ROOM EXTENSION MECHANISM

- ① AP24667 HOSE ASSY HWH02HP x 318" ROD END - ALWAYS PRESSURIZED
- ② AP2464 HOSE ASSY .25 x 324" CAP END
- ③ AP25086 HOSE ASSY HWH02HP x 78" ROD END - ALWAYS PRESSURIZED - MUST BE HIGH PRESSURE HOSES OF EQUAL LENGTH AND DIAMETER
- ④ AP24819 HOSE ASSY HWH02HP x 100" CAP END - MUST MAINTAIN EQUAL LENGTH AND DIAMETER



NOTE: INSTALLATION MUST CONFORM TO GOOD SHOP PRACTICES, SAE STANDARDS, RVIA STANDARDS, AND OTHER APPLICABLE STANDARDS.



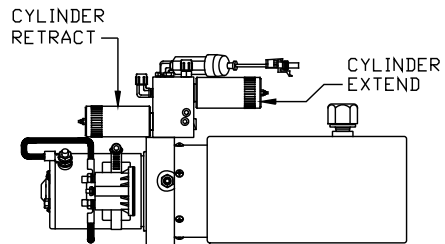
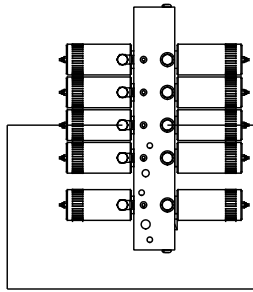
ORIENTATION

← FRONT

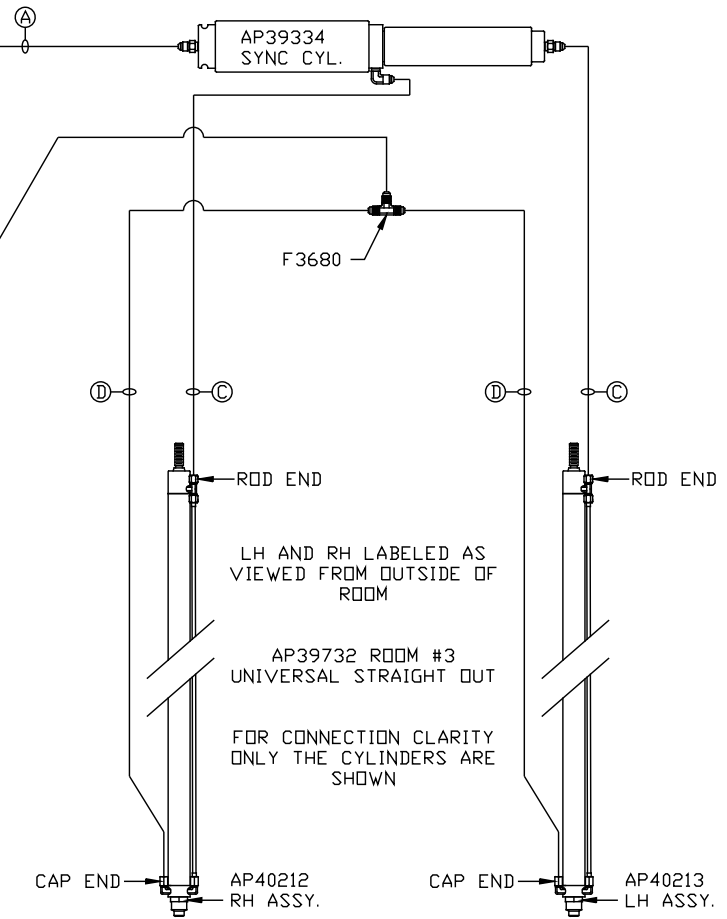
NOTE: HOSES ③ AND ④ ARE INCLUDED WITH THE ROOM EXTENSION MECHANISM

- ① AP24667 HOSE ASSY HWH02HP x 318" ROD END - ALWAYS PRESSURIZED
- ② AP2464 HOSE ASSY .25 x 324" CAP END
- ③ AP25086 HOSE ASSY HWH02HP x 78" ROD END - ALWAYS PRESSURIZED - MUST BE HIGH PRESSURE HOSES OF EQUAL LENGTH AND DIAMETER
- ④ AP24819 HOSE ASSY HWH02HP x 100" CAP END - MUST MAINTAIN EQUAL LENGTH AND DIAMETER

TOP VIEW MANIFOLD



SIDE VIEW PUMP/MANIFOLD-AP37870



NOTE: INSTALLATION MUST CONFORM TO GOOD SHOP PRACTICES, SAE STANDARDS, RVIA STANDARDS, AND OTHER APPLICABLE STANDARDS.

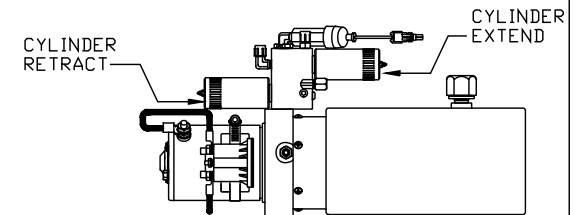
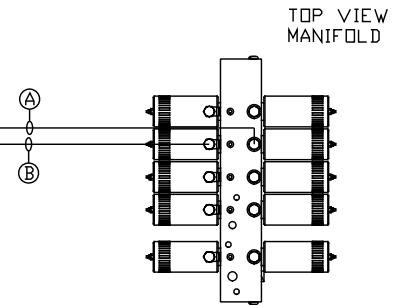
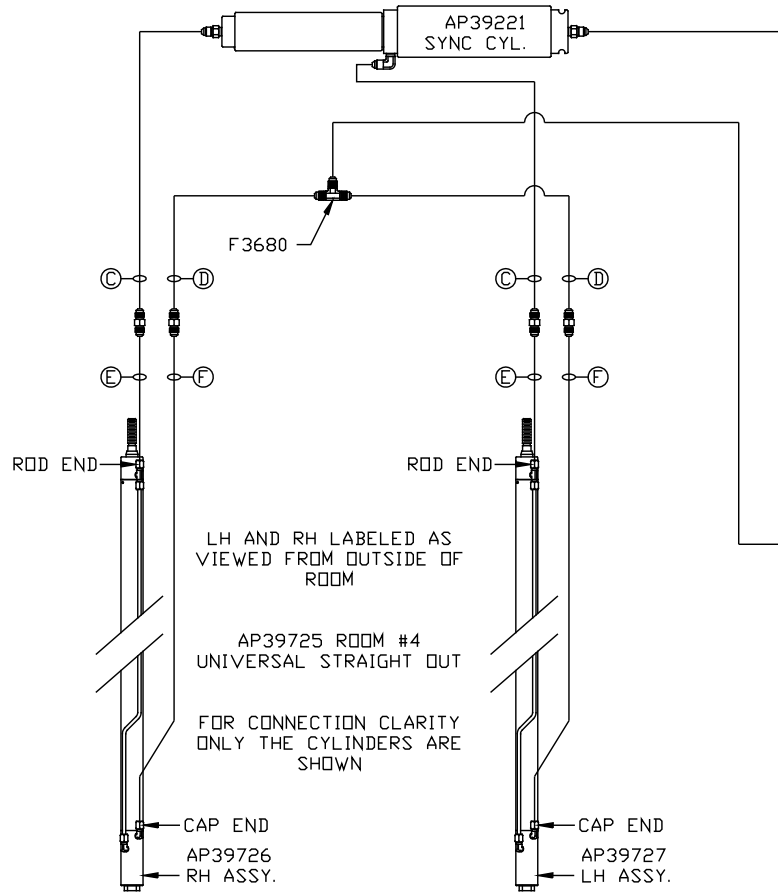
MP70640 D/E
25JUN13

ORIENTATION

← FRONT

NOTE: HOSES (E) AND (F) ARE INCLUDED WITH THE ROOM EXTENSION MECHANISM

- (A) AP4074 HOSE ASSY .25" x 108"
ROD END - ALWAYS PRESSURIZED
- (B) AP7099 HOSE ASSY .25" x 110"
CAP END
- (C) AP24667 HOSE ASSY HWH02HP x 312"
ROD END - ALWAYS PRESSURIZED - MUST BE HIGH PRESSURE HOSES OF EQUAL LENGTH AND DIAMETER
- (D) AP5216 HOSE ASSY .25" x 312"
CAP END - MUST MAINTAIN EQUAL LENGTH AND DIAMETER
- (E) AP24632 HOSE ASSY HWH02HP x 48"
ROD END - ALWAYS PRESSURIZED - MUST BE HIGH PRESSURE HOSES OF EQUAL LENGTH AND DIAMETER
- (F) AP24818 HOSE ASSY HWH02HP x 86"
CAP END - MUST MAINTAIN EQUAL LENGTH AND DIAMETER



SIDE VIEW PUMP/MANIFOLD-AP37870

NOTE: INSTALLATION MUST CONFORM TO GOOD SHOP PRACTICES, SAE STANDARDS, RVIA STANDARDS, AND OTHER APPLICABLE STANDARDS.

MP70640 E/E
25JUN13