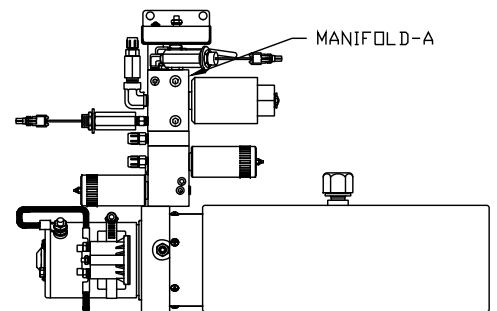
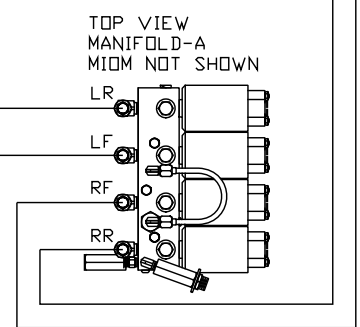
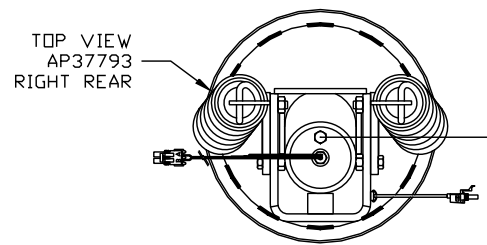
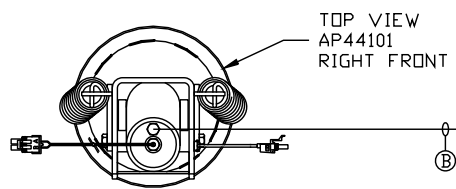


ORIENTATION
← FRONT

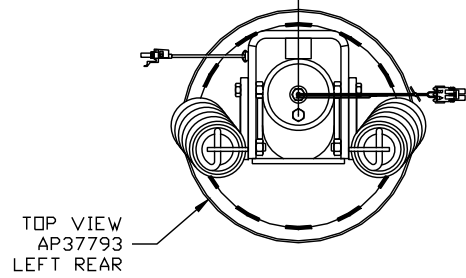
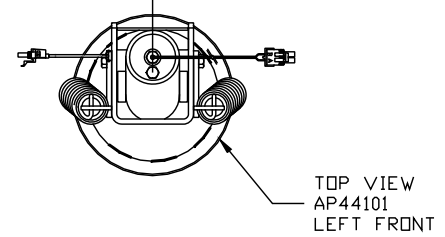


SIDE VIEW PUMP/MANIFOLD-AP50912

LOCATION AND ORIENTATION OF
PUMP/MANIFOLD ASSEMBLY WILL
DIFFER DEPENDING UPON O.E.M.

- Ⓐ AP7832 HOSE ASSY .25" x 100"
- Ⓑ AP4669 HOSE ASSY .25" x 408"
- Ⓒ AP7130 HOSE ASSY .25" x 412"
- Ⓓ AP4161 HOSE ASSY .25" x 120"

CROSS TIES REQUIRED FOR
FRONT AND REAR JACKS



NOTE: INSTALLATION MUST CONFORM TO GOOD SHOP PRACTICES, SAE STANDARDS, RVIA STANDARDS, AND OTHER APPLICABLE STANDARDS.

SYNC KIT: AP52169	NO.	DATE	REVISION
PUMP KIT: AP50865			
JACK KIT: AP48120			

3	08MAY15	UPDATED HOSES
2	24OCT13	PUMP KIT WAS AP48122
1	05AUG13	UPDATED HOSES

HWH			I-80 EXIT 267 SOUTH RT 1 MOSCOW, IOWA 52760		
SCALE 1:6	DATE 15JUL13	DRAWN BY .			
HYD CONN DIAGRAM					
TIFFIN				DRAWING NUMBER MP70641 A/C	

THE INFORMATION DISCLOSED ON THIS DRAWING IS CONFIDENTIAL AND MUST NOT BE DISCLOSED OR USED IN ANY MANNER WHICH WILL BE DETRIMENTAL TO THE HWH CORPORATION

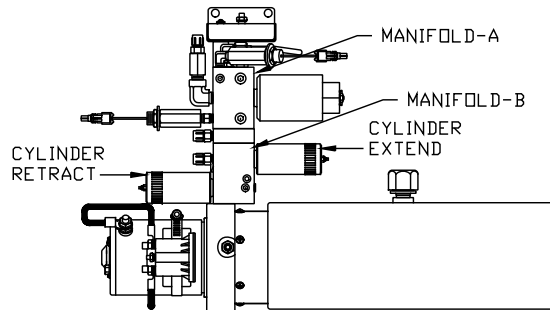
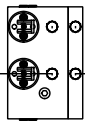
Ⓐ AP8985 HOSE ASSY .25" x 332"
 WAS AP4073 HOSE ASSY .25" x 60"
 ROD END - ALWAYS PRESSURIZED

Ⓑ AP10225 HOSE ASSY .25" x 340"
 WAS AP4159 HOSE ASSY .25" x 72"
 CAP END

Ⓒ AP49246 HOSE ASSY 03 x 156"
 ROD END - ALWAYS PRESSURIZED - MUST
 MAINTAIN EQUAL LENGTH AND DIAMETER

Ⓓ AP4062 HOSE ASSY .25" x 132"
 WAS AP4065 HOSE ASSY .25" x 156"
 CAP END - MUST MAINTAIN EQUAL LENGTH
 AND DIAMETER

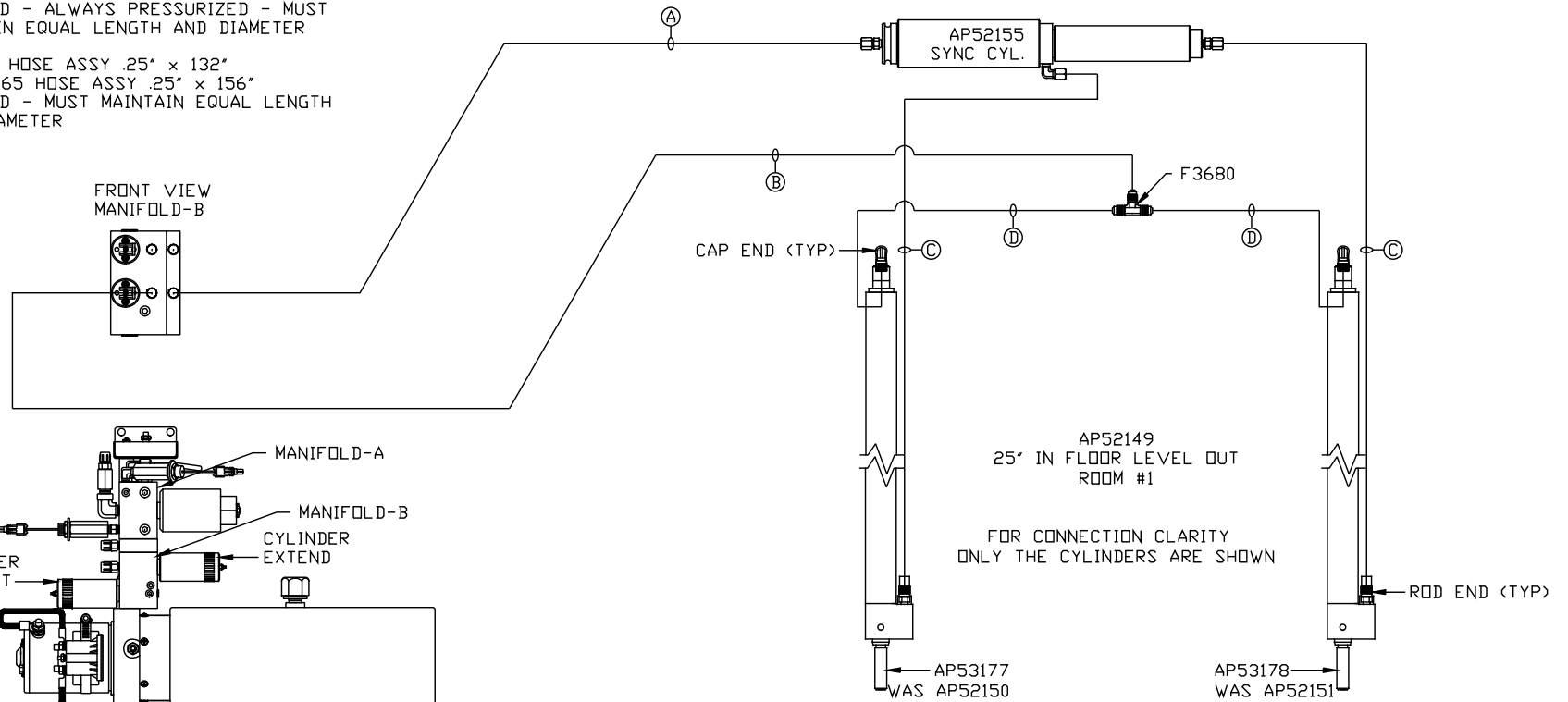
FRONT VIEW
 MANIFOLD-B



SIDE VIEW PUMP/MANIFOLD-AP50912

LOCATION AND ORIENTATION OF
 PUMP/MANIFOLD ASSEMBLY WILL
 DIFFER DEPENDING UPON O.E.M.

NOTE: INSTALLATION MUST CONFORM TO GOOD SHOP PRACTICES, SAE
 STANDARDS, RVIA STANDARDS, AND OTHER APPLICABLE STANDARDS.

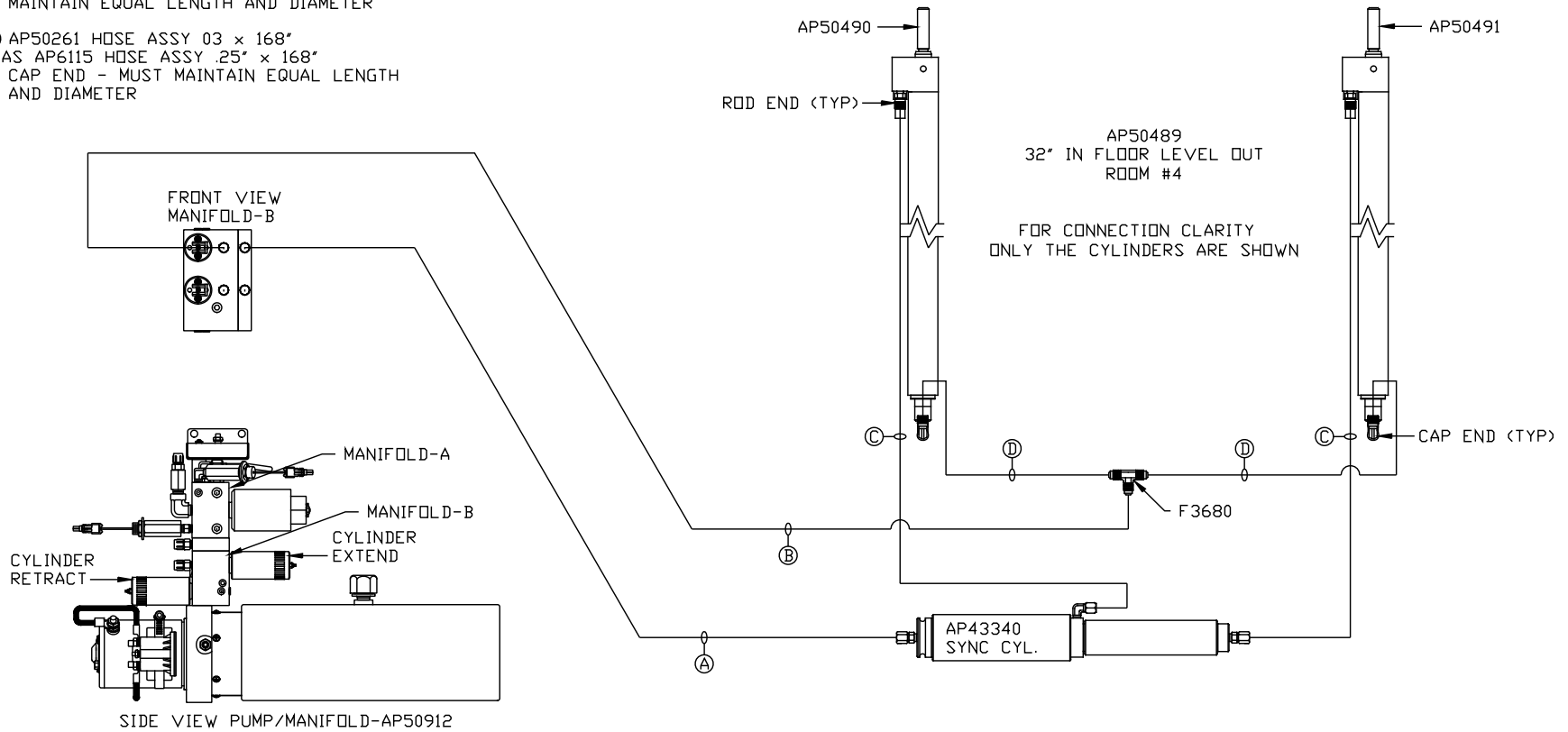


Ⓐ AP24647 HOSE ASSY HWH02HP x 162"
 WAS AP4073 HOSE ASSY .25" x 60"
 ROD END - ALWAYS PRESSURIZED

Ⓑ AP49517 HOSE ASSY 03 x 180"
 WAS AP5352 HOSE ASSY .25" x 96"
 CAP END

Ⓒ AP24651 HOSE ASSY HWH02HP x 180"
 WAS AP50261 HOSE ASSY 03 x 168"
 ROD END - ALWAYS PRESSURIZED - MUST
 MAINTAIN EQUAL LENGTH AND DIAMETER

Ⓓ AP50261 HOSE ASSY 03 x 168"
 WAS AP6115 HOSE ASSY .25" x 168"
 CAP END - MUST MAINTAIN EQUAL LENGTH
 AND DIAMETER



LOCATION AND ORIENTATION OF
 PUMP/MANIFOLD ASSEMBLY WILL
 DIFFER DEPENDING UPON O.E.M.

NOTE: INSTALLATION MUST CONFORM TO GOOD SHOP PRACTICES, SAE
 STANDARDS, RVIA STANDARDS, AND OTHER APPLICABLE STANDARDS.

MP70641 C/C
 08MAY15