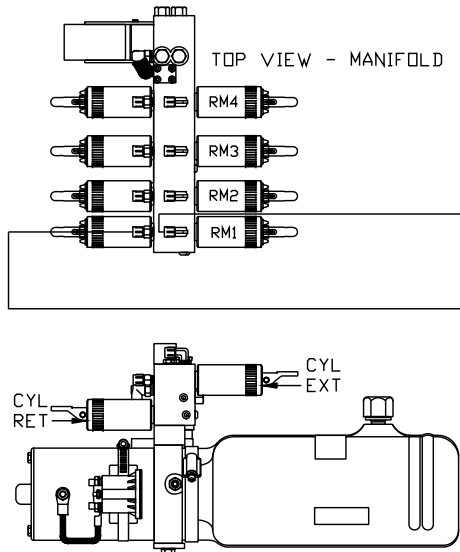


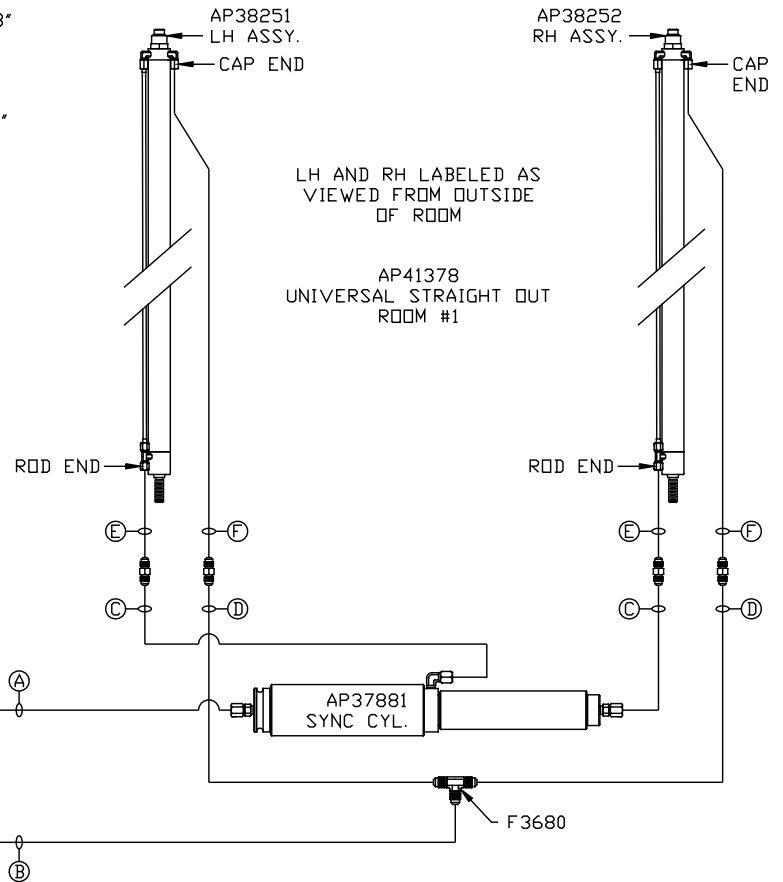
NOTE: HOSES (C) AND (F) ARE INCLUDED WITH THE ROOM EXTENSION MECHANISM

- (A) .25 ID HOSE
ROD END - ALWAYS PRESSURIZED
- (B) .25 ID HOSE
CAP END
- (C) .03 HOSE
ROD END - ALWAYS PRESSURIZED
HOSES MUST MAINTAIN EQUAL LENGTH AND DIAMETER
- (D) .25 ID HOSE
CAP END - HOSES MUST MAINTAIN EQUAL LENGTH AND DIAMETER

- (E) AP24632 HOSE ASSY HWH02HP x 48"
ROD END - ALWAYS PRESSURIZED
HOSES MUST MAINTAIN EQUAL LENGTH AND DIAMETER
- (F) AP24818 HOSE ASSY HWH02HP x 86"
CAP END - MUST MAINTAIN EQUAL LENGTH AND DIAMETER



SIDE VIEW PUMP/MANIFOLD-AP46412
LOCATION AND ORIENTATION OF PUMP/MANIFOLD ASSEMBLY WILL DIFFER DEPENDING UPON O.E.M.



		HWH I-80 EXIT 267 SOUTH RT 1 MOSCOW, IOWA 52760	
		SCALE 1:6	DATE 14AUG13
		DRAWN BY .	
1	07MAY15	CORRECTED TYPOS	
NO.	DATE	REVISION	
HYD CONN DIAGRAM			
THE INFORMATION DISCLOSED ON THIS DRAWING IS CONFIDENTIAL AND MUST NOT BE DISCLOSED OR USED IN ANY MANNER WHICH WILL BE DETRIMENTAL TO THE HWH CORPORATION			DRAWING NUMBER MP70643 A/D

NOTE: INSTALLATION MUST CONFORM TO GOOD SHOP PRACTICES, SAE STANDARDS, RVIA STANDARDS, AND OTHER APPLICABLE STANDARDS.

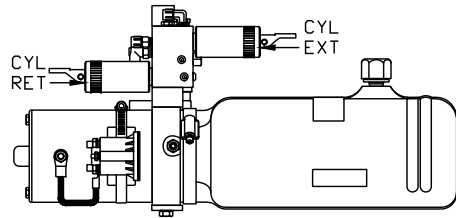
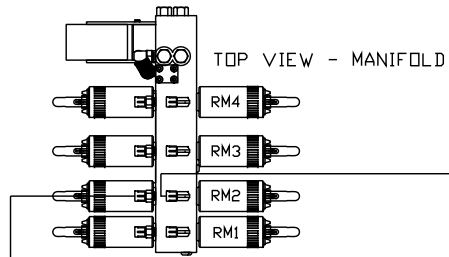
CONTROL PACKAGE: AP51965

K&D CUSTOM COACH

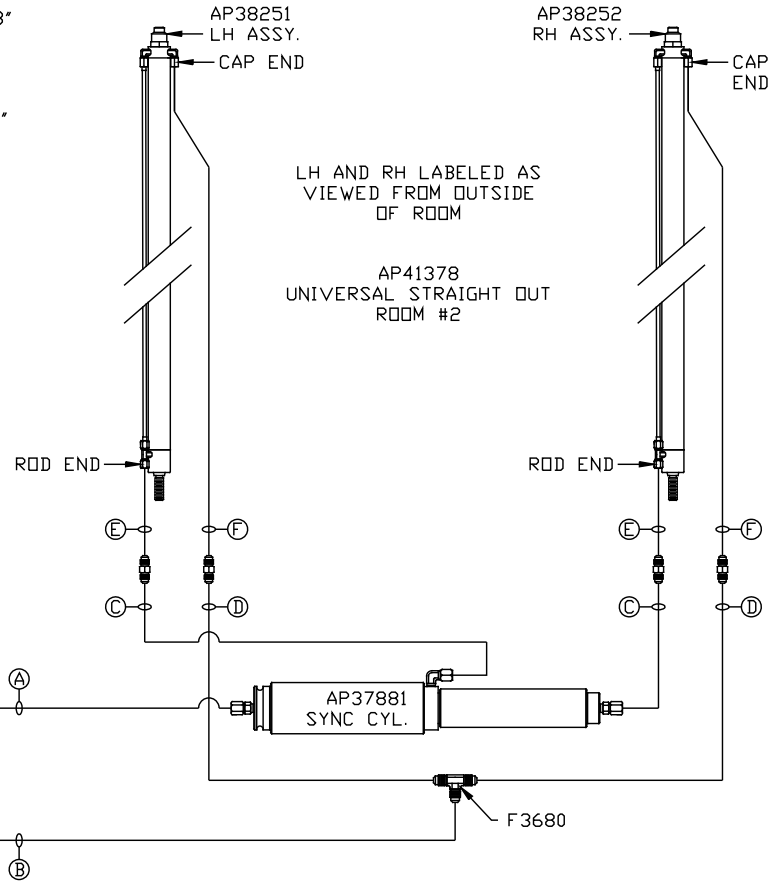
NOTE: HOSES (C) AND (F) ARE INCLUDED WITH THE ROOM EXTENSION MECHANISM

- (A) .25 ID HOSE
ROD END - ALWAYS PRESSURIZED
- (B) .25 ID HOSE
CAP END
- (C) .03 HOSE
ROD END - ALWAYS PRESSURIZED
HOSES MUST MAINTAIN EQUAL LENGTH AND DIAMETER
- (D) .25 ID HOSE
CAP END - HOSES MUST MAINTAIN EQUAL LENGTH AND DIAMETER

- (E) AP24632 HOSE ASSY HWH02HP x 48"
ROD END - ALWAYS PRESSURIZED
HOSES MUST MAINTAIN EQUAL LENGTH AND DIAMETER
- (F) AP24818 HOSE ASSY HWH02HP x 86"
CAP END - MUST MAINTAIN EQUAL LENGTH AND DIAMETER



LOCATION AND ORIENTATION OF PUMP/MANIFOLD ASSEMBLY WILL DIFFER DEPENDING UPON O.E.M.

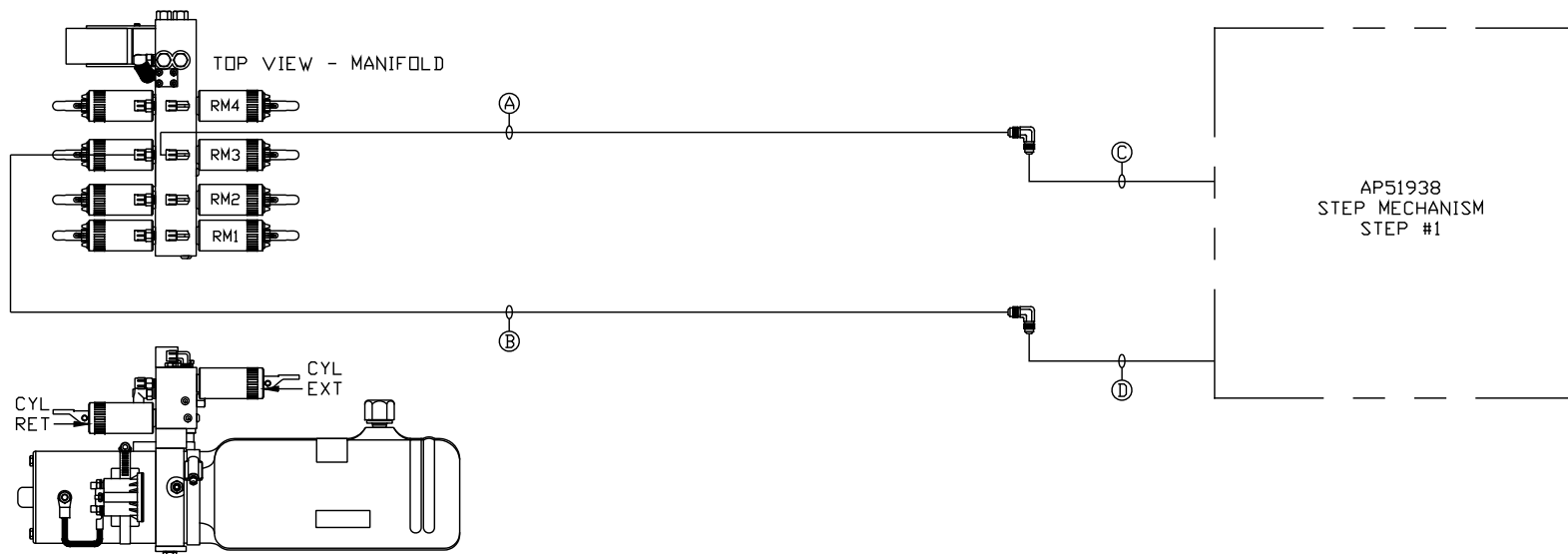


NOTE: INSTALLATION MUST CONFORM TO GOOD SHOP PRACTICES, SAE STANDARDS, RVIA STANDARDS, AND OTHER APPLICABLE STANDARDS.

MP70643 B/D
07MAY15

NOTE: HOSES ③ AND ④ ARE INCLUDED WITH THE ROOM EXTENSION MECHANISM

- ① AP4162 HOSE ASSY .25" X 192"
ROD END - ALWAYS PRESSURIZED
- ② AP4162 HOSE ASSY .25" X 192"
CAP END
- ③ AP50909 HOSE ASSY 03F X 72"
ROD END - ALWAYS PRESSURIZED
- ④ AP51480 HOSE ASSY 03F X 66"
CAP END



TOP VIEW - MANIFOLD

RM4

RM3

RM2

RM1

CYL
RET

CYL
EXT

AP51938
STEP MECHANISM
STEP #1

SIDE VIEW PUMP/MANIFOLD-AP46412

LOCATION AND ORIENTATION OF
PUMP/MANIFOLD ASSEMBLY WILL
DIFFER DEPENDING UPON O.E.M.

NOTE: INSTALLATION MUST CONFORM TO GOOD SHOP PRACTICES, SAE STANDARDS, RVIA STANDARDS, AND OTHER APPLICABLE STANDARDS.

MP70643 C/D
07MAY15

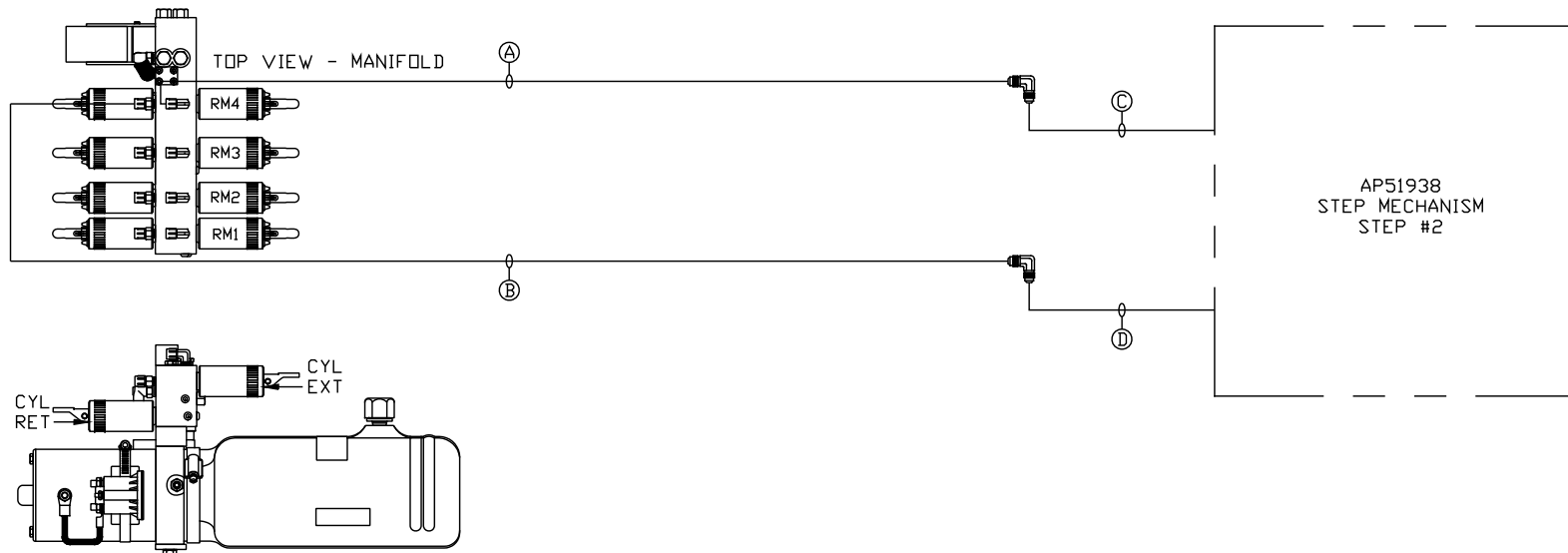
NOTE: HOSES ③ AND ④ ARE INCLUDED WITH THE ROOM EXTENSION MECHANISM

① AP4162 HOSE ASSY .25" X 192"
ROD END - ALWAYS PRESSURIZED

② AP4162 HOSE ASSY .25" X 192"
CAP END

③ AP50909 HOSE ASSY 03F X 72"
ROD END - ALWAYS PRESSURIZED

④ AP51480 HOSE ASSY 03F X 66"
CAP END



SIDE VIEW PUMP/MANIFOLD-AP46412

LOCATION AND ORIENTATION OF
PUMP/MANIFOLD ASSEMBLY WILL
DIFFER DEPENDING UPON O.E.M.

NOTE: INSTALLATION MUST CONFORM TO GOOD SHOP PRACTICES, SAE
STANDARDS, RVIA STANDARDS, AND OTHER APPLICABLE STANDARDS.

MP70643 D/D
07MAY15