

THIS PAGE INTENTIONALLY LEFT BLANK

NOTE: INSTALLATION MUST CONFORM TO GOOD SHOP PRACTICES, SAE STANDARDS, RVIA STANDARDS, AND OTHER APPLICABLE STANDARDS.

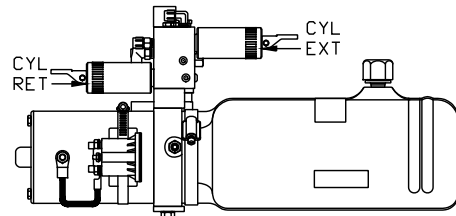
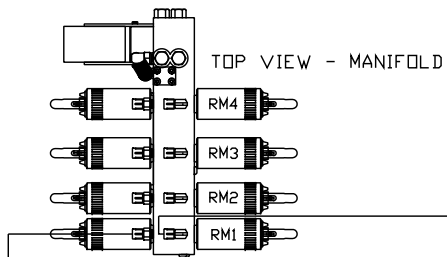
CONTROL PACKAGE: AP49309

|  |      |          |  |              |                |
|--|------|----------|--|--------------|----------------|
|  |      |          | HWH I-80 EXIT 267 SOUTH<br>RT 1 MOSCOW, IOWA 52760 |              |                |
|  |      |          | SCALE 1:6  | DATE 16AUG13 | DRAWN BY .     |
|  |      |          | HYD CONN DIAGRAM                                   |              |                |
| NO.  | DATE | REVISION | ALUMINUM TRAILER                                   |              | DRAWING NUMBER |
| THE INFORMATION DISCLOSED ON THIS DRAWING IS CONFIDENTIAL AND MUST NOT BE DISCLOSED OR USED IN ANY MANNER WHICH WILL BE DETRIMENTAL TO THE HWH CORPORATION |      |          | MP70646  |              | A/E            |

- Ⓐ .25" ID HOSE  
ROD END - ALWAYS PRESSURIZED
- Ⓑ .25" ID HOSE  
CAP END (ROOM)
- Ⓒ .25" ID HOSE  
ROD END - ALWAYS PRESSURIZED (LIFT)
- Ⓓ .25" ID HOSE  
CAP END (ROOM)
- Ⓔ .25" ID HOSE  
CAP END (LIFT)
- Ⓕ .25" ID HOSE  
CAP END (ROOM)

- Ⓖ 03 HOSE  
ROD END - ALWAYS PRESSURIZED -  
HOSES MUST MAINTAIN EQUAL  
LENGTH AND DIAMETER
- Ⓗ .25" ID HOSE  
CAP END - HOSES MUST MAINTAIN  
EQUAL LENGTH AND DIAMETER
- Ⓘ AP24632 HOSE ASSY HWH02HP x 48"  
ROD END - ALWAYS PRESSURIZED -  
HOSES MUST MAINTAIN EQUAL  
LENGTH AND DIAMETER
- Ⓝ AP24818 HOSE ASSY HWH02HP x 86"  
CAP END - MUST MAINTAIN EQUAL  
LENGTH AND DIAMETER
- Ⓚ .25" ID HOSE CAP END (LIFT)  
MUST MAINTAIN EQUAL LENGTH  
AND DIAMETER
- Ⓛ .25" ID HOSE ROD END (LIFT)  
ALWAYS PRESSURIZED - MUST MAINTAIN  
EQUAL LENGTH AND DIAMETER

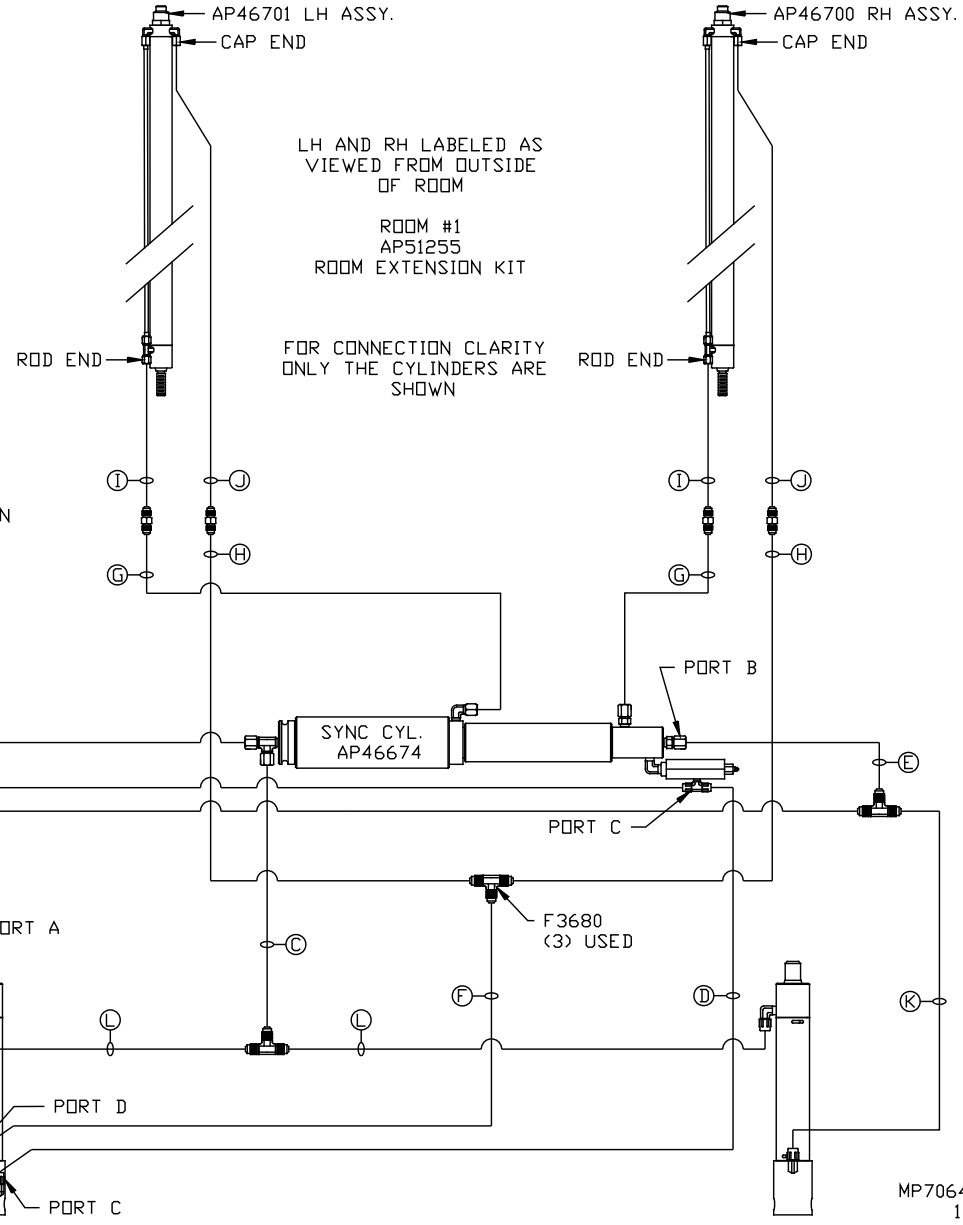
NOTE: HOSES Ⓘ AND Ⓝ ARE INCLUDED  
WITH THE ROOM EXTENSION MECHANISM



LOCATION AND ORIENTATION OF  
PUMP/MANIFOLD ASSEMBLY WILL  
DIFFER DEPENDING UPON O.E.M.

NOTE: GENERIC VIEWS FOR CLARITY. CYLINDERS MAY BE REVERSED

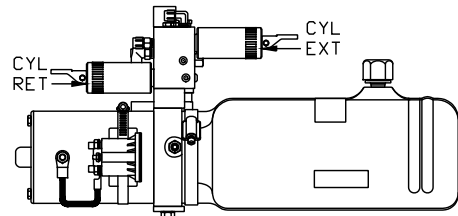
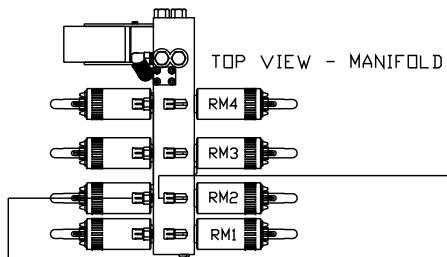
NOTE: INSTALLATION MUST CONFORM TO GOOD SHOP PRACTICES, SAE  
STANDARDS, RVIA STANDARDS, AND OTHER APPLICABLE STANDARDS.



- Ⓐ .25" ID HOSE  
ROD END - ALWAYS PRESSURIZED
- Ⓑ .25" ID HOSE  
CAP END (ROOM)
- Ⓒ .25" ID HOSE  
ROD END - ALWAYS PRESSURIZED (LIFT)
- Ⓓ .25" ID HOSE  
CAP END (ROOM)
- Ⓔ .25" ID HOSE  
CAP END (LIFT)
- Ⓕ .25" ID HOSE  
CAP END (ROOM)

NOTE: HOSES Ⓚ AND Ⓛ ARE INCLUDED WITH THE ROOM EXTENSION MECHANISM

- Ⓜ 03 HOSE  
ROD END - ALWAYS PRESSURIZED - HOSES MUST MAINTAIN EQUAL LENGTH AND DIAMETER
- Ⓨ .25" ID HOSE  
CAP END - HOSES MUST MAINTAIN EQUAL LENGTH AND DIAMETER
- Ⓩ AP24632 HOSE ASSY HWH02HP x 48"  
ROD END - ALWAYS PRESSURIZED - HOSES MUST MAINTAIN EQUAL LENGTH AND DIAMETER
- ⓐ AP24818 HOSE ASSY HWH02HP x 86"  
CAP END - MUST MAINTAIN EQUAL LENGTH AND DIAMETER
- ⓑ .25" ID HOSE CAP END (LIFT)  
MUST MAINTAIN EQUAL LENGTH AND DIAMETER
- ⓓ .25" ID HOSE ROD END (LIFT)  
ALWAYS PRESSURIZED - MUST MAINTAIN EQUAL LENGTH AND DIAMETER

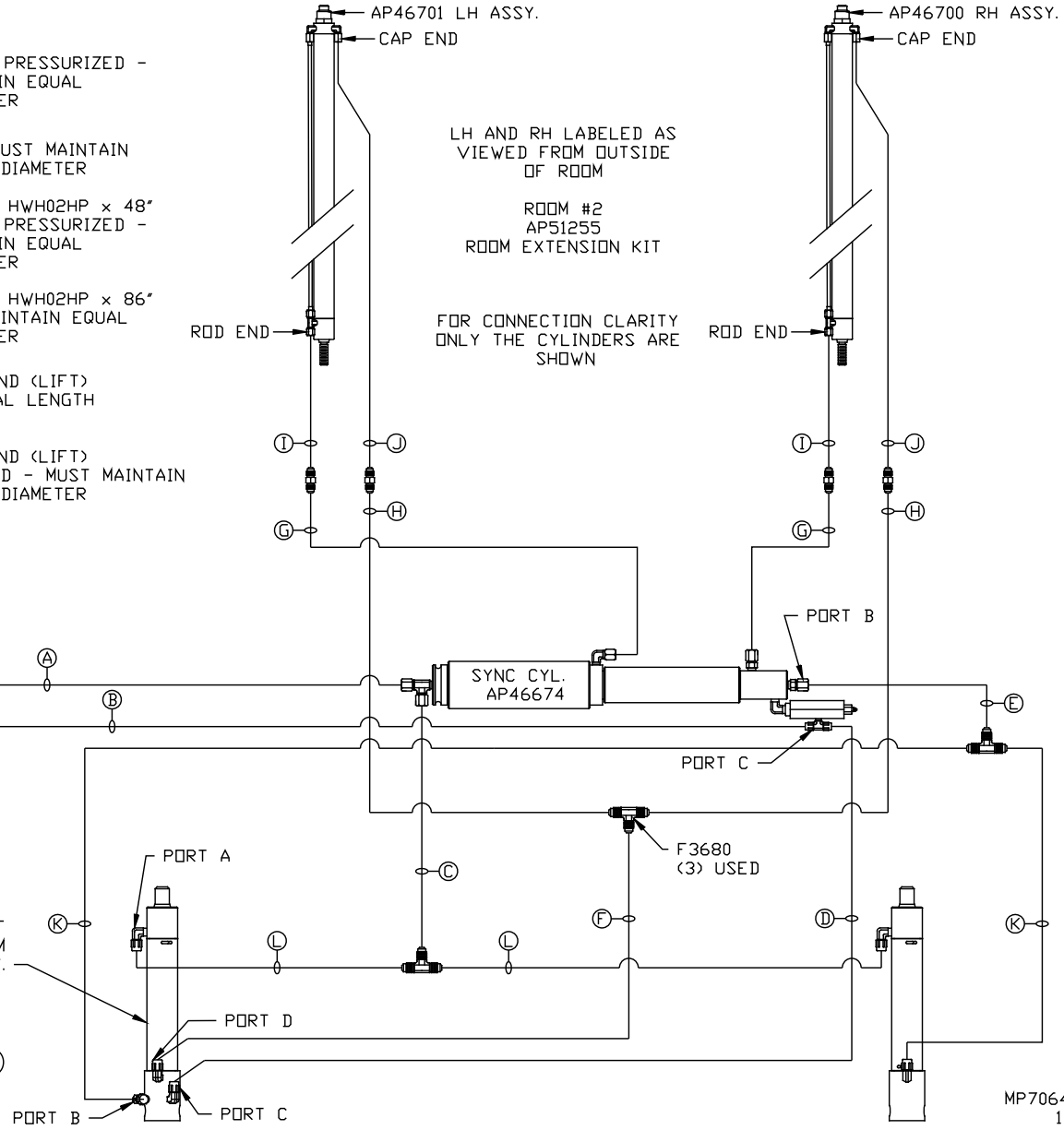


LOCATION AND ORIENTATION OF PUMP/MANIFOLD ASSEMBLY WILL DIFFER DEPENDING UPON O.E.M.

NOTE: GENERIC VIEWS FOR CLARITY. CYLINDERS MAY BE REVERSED

NOTE: INSTALLATION MUST CONFORM TO GOOD SHOP PRACTICES, SAE STANDARDS, RVIA STANDARDS, AND OTHER APPLICABLE STANDARDS.

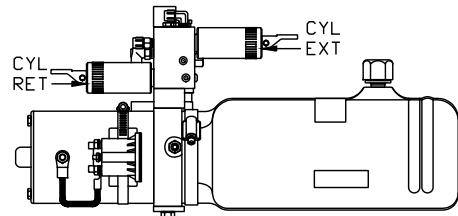
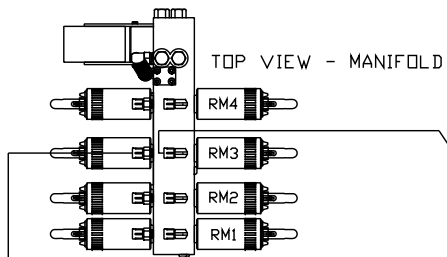
PART OF PLATFORM ASSY.



- Ⓐ .25" ID HOSE  
ROD END - ALWAYS PRESSURIZED
- Ⓑ .25" ID HOSE  
CAP END (ROOM)
- Ⓒ .25" ID HOSE  
ROD END - ALWAYS PRESSURIZED (LIFT)
- Ⓓ .25" ID HOSE  
CAP END (ROOM)
- Ⓔ .25" ID HOSE  
CAP END (LIFT)
- Ⓕ .25" ID HOSE  
CAP END (ROOM)

NOTE: HOSES Ⓡ AND Ⓢ ARE INCLUDED WITH THE ROOM EXTENSION MECHANISM

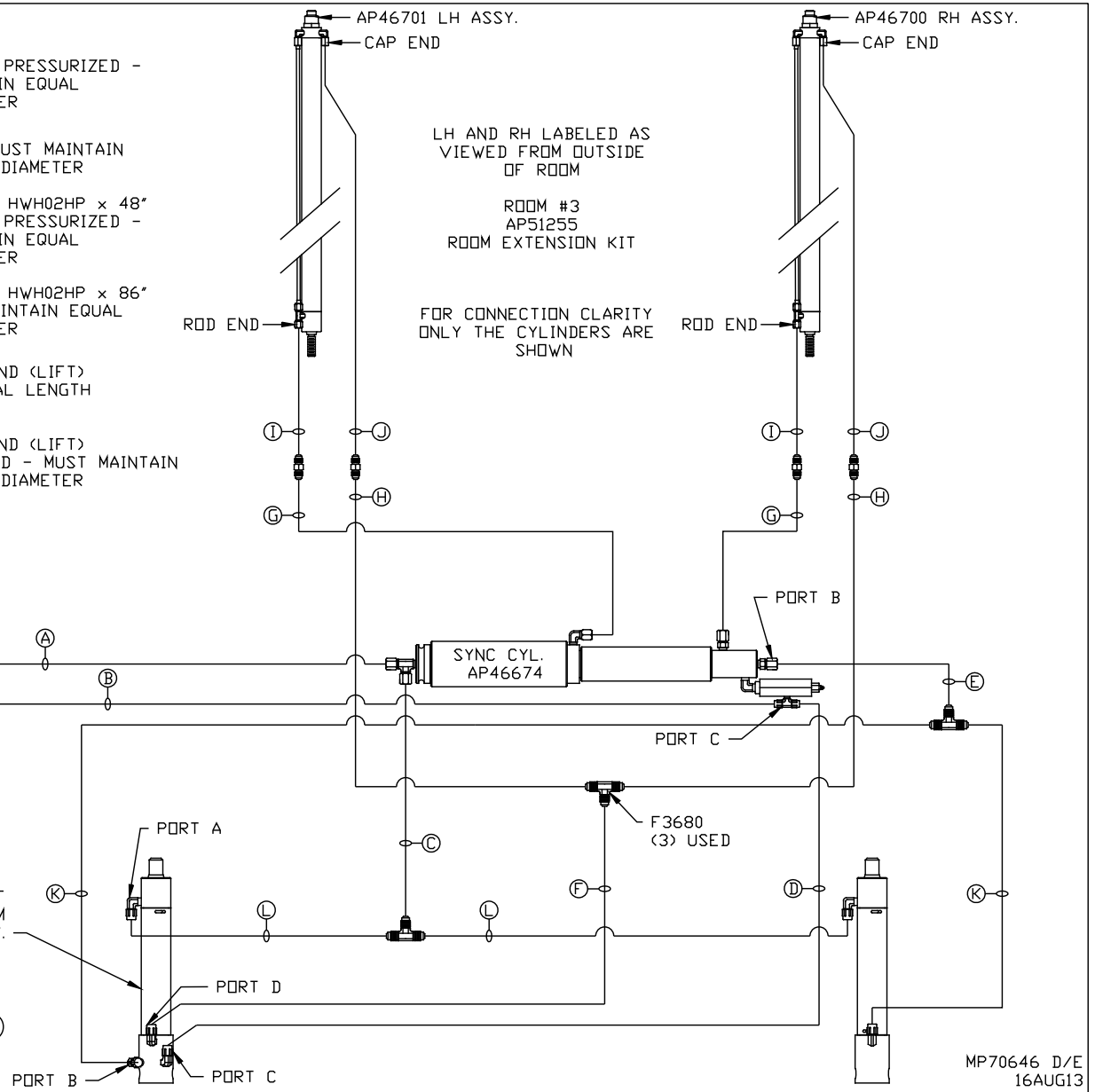
- Ⓢ .03 HOSE  
ROD END - ALWAYS PRESSURIZED - HOSES MUST MAINTAIN EQUAL LENGTH AND DIAMETER
- Ⓣ .25" ID HOSE  
CAP END - HOSES MUST MAINTAIN EQUAL LENGTH AND DIAMETER
- Ⓡ AP24632 HOSE ASSY HWH02HP x 48"  
ROD END - ALWAYS PRESSURIZED - HOSES MUST MAINTAIN EQUAL LENGTH AND DIAMETER
- Ⓢ AP24818 HOSE ASSY HWH02HP x 86"  
CAP END - MUST MAINTAIN EQUAL LENGTH AND DIAMETER
- Ⓚ .25" ID HOSE CAP END (LIFT)  
MUST MAINTAIN EQUAL LENGTH AND DIAMETER
- Ⓛ .25" ID HOSE ROD END (LIFT)  
ALWAYS PRESSURIZED - MUST MAINTAIN EQUAL LENGTH AND DIAMETER



LOCATION AND ORIENTATION OF PUMP/MANIFOLD ASSEMBLY WILL DIFFER DEPENDING UPON O.E.M.

NOTE: GENERIC VIEWS FOR CLARITY. CYLINDERS MAY BE REVERSED

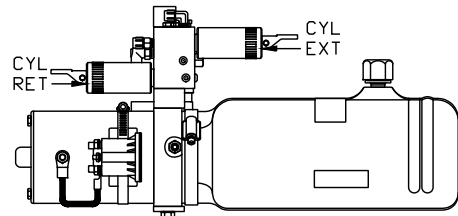
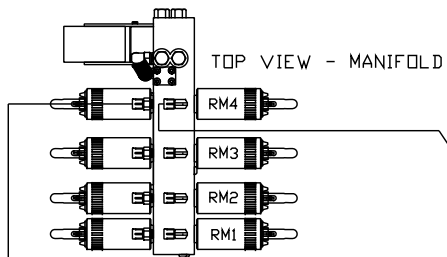
NOTE: INSTALLATION MUST CONFORM TO GOOD SHOP PRACTICES, SAE STANDARDS, RVIA STANDARDS, AND OTHER APPLICABLE STANDARDS.



- Ⓐ .25" ID HOSE  
ROD END - ALWAYS PRESSURIZED
- Ⓑ .25" ID HOSE  
CAP END (ROOM)
- Ⓒ .25" ID HOSE  
ROD END - ALWAYS PRESSURIZED (LIFT)
- Ⓓ .25" ID HOSE  
CAP END (ROOM)
- Ⓔ .25" ID HOSE  
CAP END (LIFT)
- Ⓕ .25" ID HOSE  
CAP END (ROOM)

- Ⓖ 03 HOSE  
ROD END - ALWAYS PRESSURIZED -  
HOSES MUST MAINTAIN EQUAL  
LENGTH AND DIAMETER
- Ⓗ .25" ID HOSE  
CAP END - HOSES MUST MAINTAIN  
EQUAL LENGTH AND DIAMETER
- Ⓘ AP24632 HOSE ASSY HWH02HP x 48"  
ROD END - ALWAYS PRESSURIZED -  
HOSES MUST MAINTAIN EQUAL  
LENGTH AND DIAMETER
- Ⓝ AP24818 HOSE ASSY HWH02HP x 86"  
CAP END - MUST MAINTAIN EQUAL  
LENGTH AND DIAMETER
- Ⓚ .25" ID HOSE CAP END (LIFT)  
MUST MAINTAIN EQUAL LENGTH  
AND DIAMETER
- Ⓛ .25" ID HOSE ROD END (LIFT)  
ALWAYS PRESSURIZED - MUST MAINTAIN  
EQUAL LENGTH AND DIAMETER

NOTE: HOSES Ⓘ AND Ⓝ ARE INCLUDED  
WITH THE ROOM EXTENSION MECHANISM



LOCATION AND ORIENTATION OF  
PUMP/MANIFOLD ASSEMBLY WILL  
DIFFER DEPENDING UPON O.E.M.

NOTE: GENERIC VIEWS FOR CLARITY. CYLINDERS MAY BE REVERSED

NOTE: INSTALLATION MUST CONFORM TO GOOD SHOP PRACTICES, SAE  
STANDARDS, RVIA STANDARDS, AND OTHER APPLICABLE STANDARDS.

