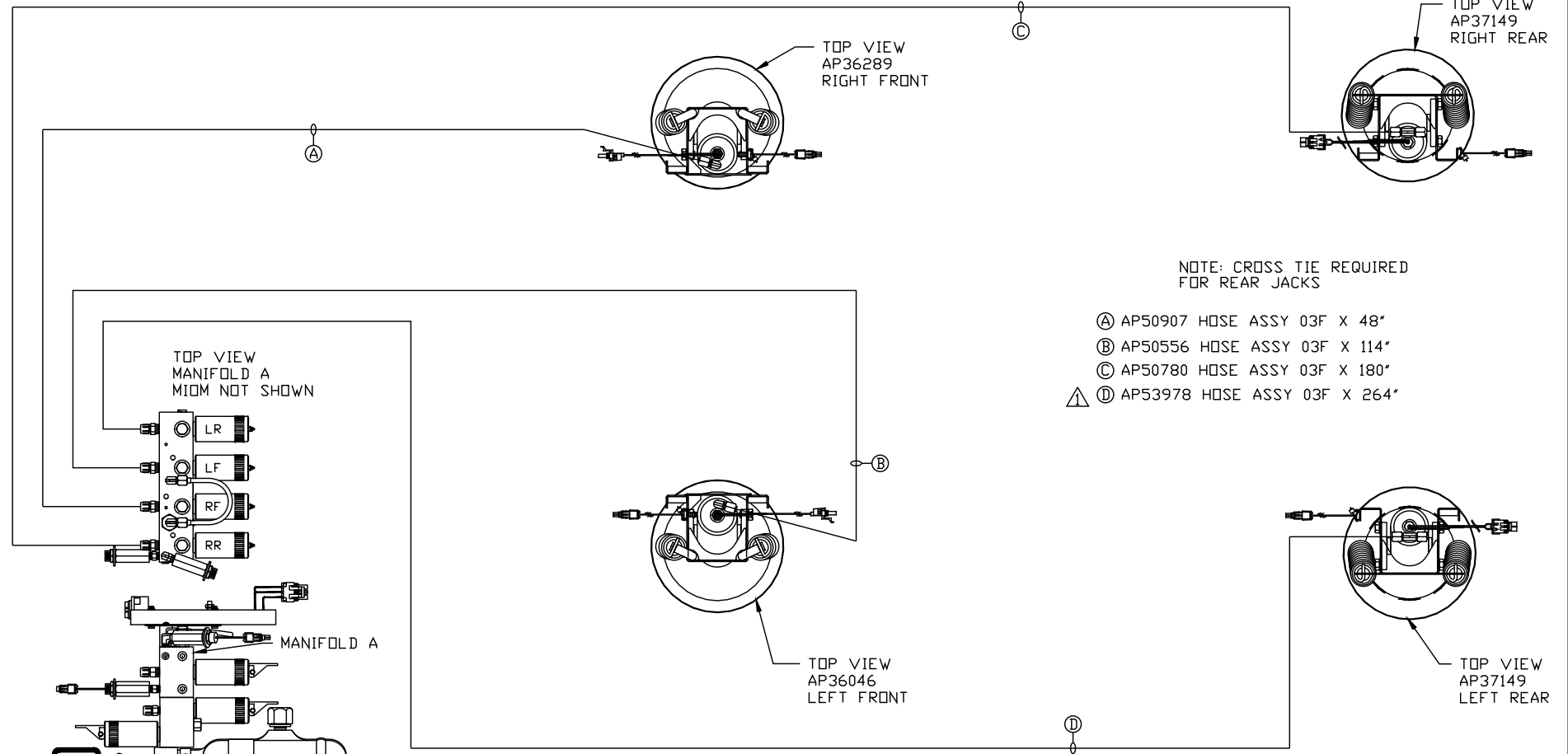


ORIENTATION
 ← FRONT



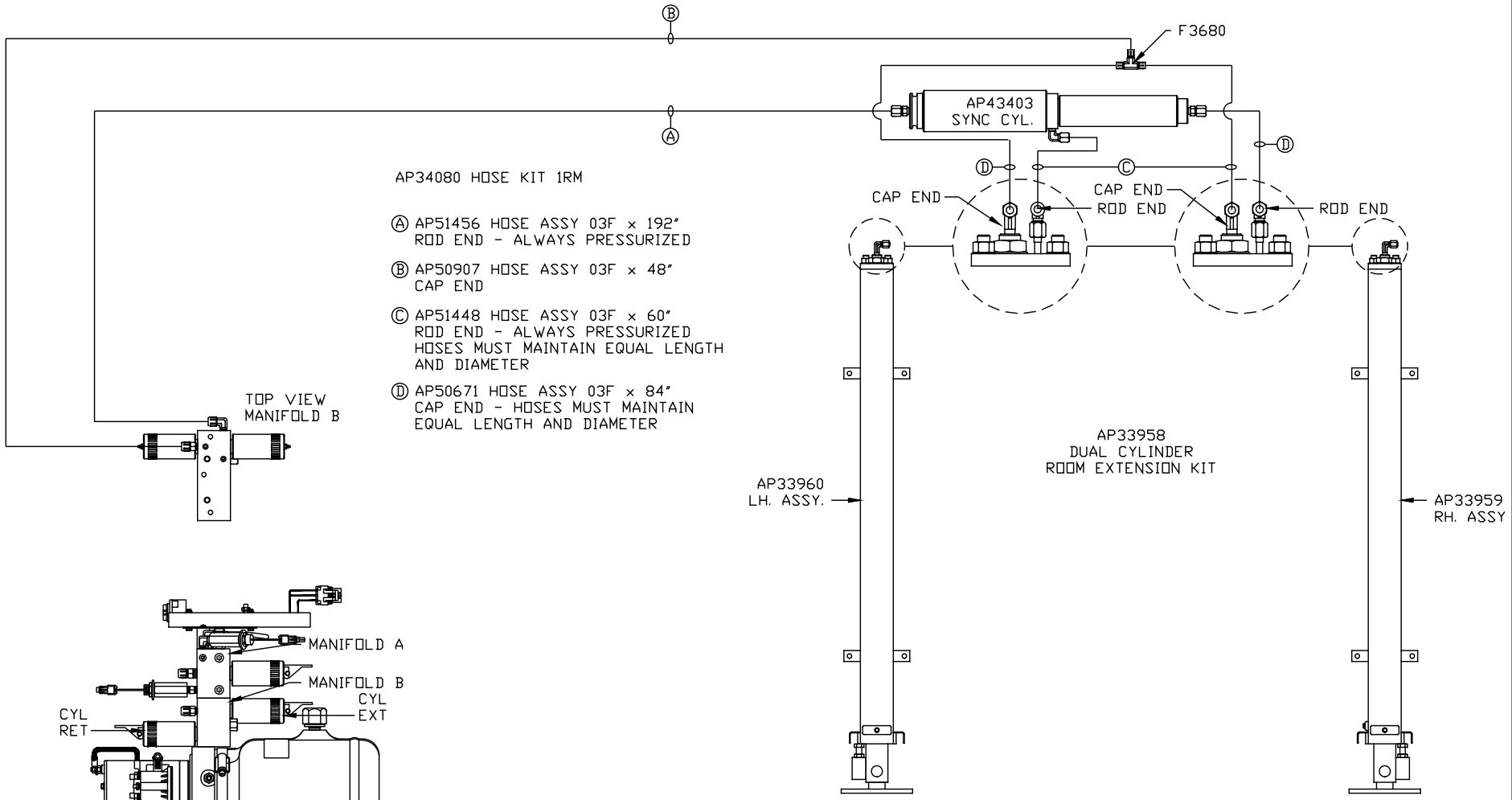
LOCATION AND ORIENTATION OF PUMP/MANIFOLD ASSEMBLY WILL DIFFER DEPENDING UPON O.E.M.

NOTE: INSTALLATION MUST CONFORM TO GOOD SHOP PRACTICES, SAE STANDARDS, RVIA STANDARDS, AND OTHER APPLICABLE STANDARDS.

LEVELING SYSTEM: AP51117

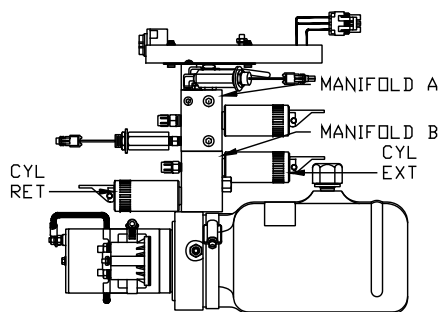
⚠	26MAY22	WAS AP51590
NO.	DATE	REVISION
THE INFORMATION DISCLOSED ON THIS DRAWING IS CONFIDENTIAL AND MUST NOT BE DISCLOSED OR USED IN ANY MANNER WHICH WILL BE DETRIMENTAL TO THE HWH CORPORATION		

HWH			I-80 EXIT 267 SOUTH RT 1 MOSCOW, IOWA 52760		
SCALE 1:6	DATE 22NOV13	DRAWN BY .			
HYD CONN DIAGRAM					
COACH HOUSE				DRAWING NUMBER MP70676 A/B	



AP34080 HOSE KIT 1RM

- Ⓐ AP51456 HOSE ASSY 03F x 192"
ROD END - ALWAYS PRESSURIZED
- Ⓑ AP50907 HOSE ASSY 03F x 48"
CAP END
- Ⓒ AP51448 HOSE ASSY 03F x 60"
ROD END - ALWAYS PRESSURIZED
HOSES MUST MAINTAIN EQUAL LENGTH
AND DIAMETER
- Ⓓ AP50671 HOSE ASSY 03F x 84"
CAP END - HOSES MUST MAINTAIN
EQUAL LENGTH AND DIAMETER



SIDE VIEW PUMP/MANIFOLD-AP51126
LOCATION AND ORIENTATION OF
PUMP/MANIFOLD ASSEMBLY WILL
DIFFER DEPENDING UPON O.E.M.

NOTE: INSTALLATION MUST CONFORM TO GOOD SHOP PRACTICES, SAE STANDARDS, RVIA STANDARDS, AND OTHER APPLICABLE STANDARDS.

MP70676 B/B
22NOV13